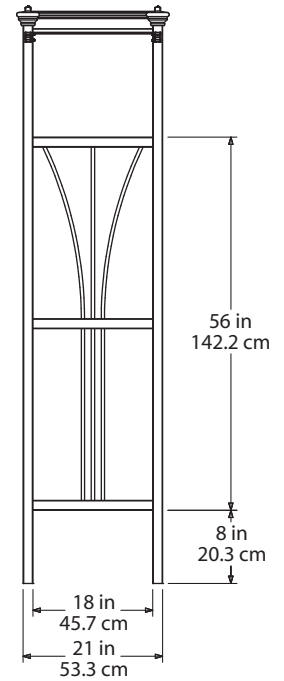
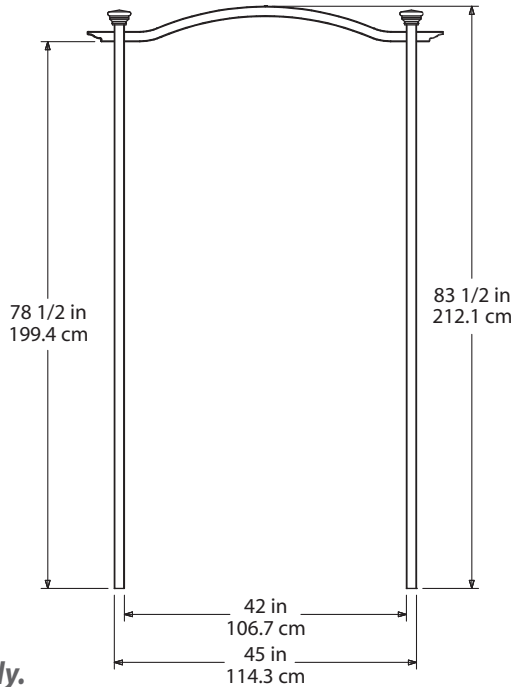
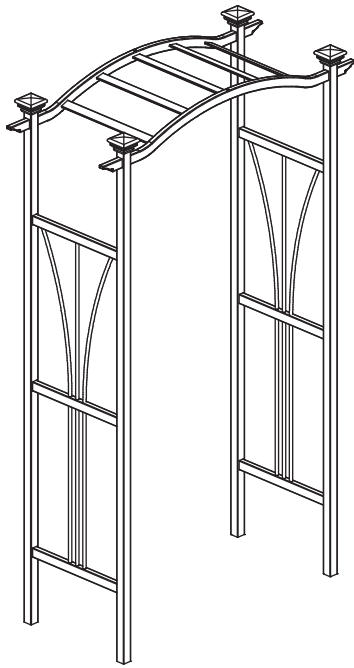


The London Arbor



Please read through before starting assembly.

IMPORTANT: CHECK THE INSIDE OF YOUR POSTS FOR ALL MATERIALS.

Check Box for These Contents

In the event of missing or defective parts please call our customer service dept. at **1 800 282 9346, ext #20** (Mon. to Fri. 8:00 AM to 4:00 PM EST).

1. Arches (2)
2. Arch Rafters (5)
3. Post Caps (4)
4. Left Posts (2)
5. Right Posts (2)
6. Side Panel Top Horizontal Rails (2)
7. Side Panel Bent Vertical Spindles (4) 56.448 in.
8. Side Panel Middle Straight Vertical Spindles (2) 55.375 in.
9. Side Panel Middle Horizontal Rail (2)
10. Side Panel Bottom Horizontal Rail (2)
11. Ground Anchoring Stakes (4)
12. 1 1/4 in (3.17cm) Self Augering Screws (34)
13. 5/8 in (1.59cm) Self Augering Screws (8)

Tools You Will Need

- Cordless Drill
- Level
- Stool or Short Ladder
- Shovel

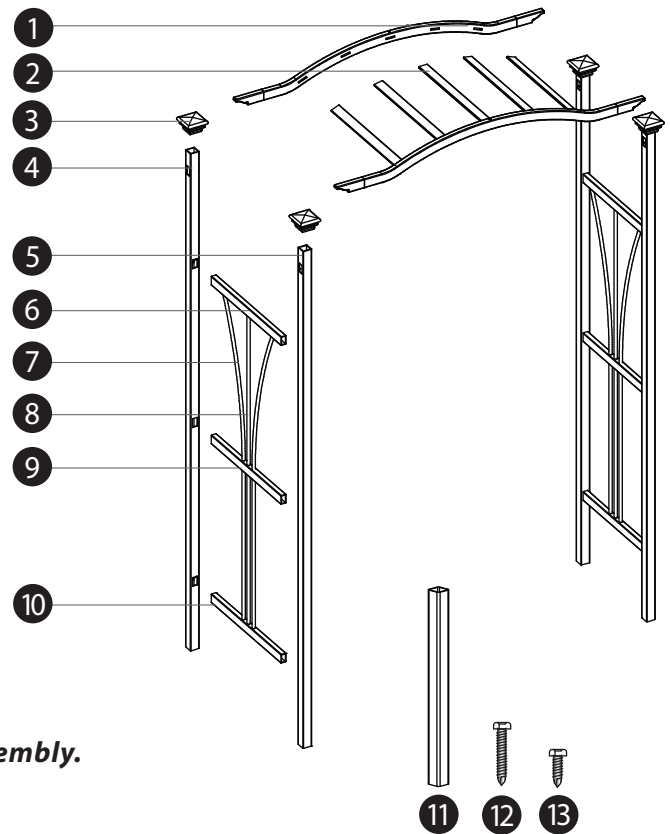
Assembly Time

- Approximately 30 minutes (2 People)

General Information

Read Instructions through carefully before beginning assembly.

- When assembling components, place on a non-abrasive surface (i.e. shipping box) to avoid scratching.
- We recommend an area approx 10 ft. x 8 ft. for unobstructed assembling.
- You should not need to use excessive force when assembling components.



Not to Scale

STEP ONE

Assemble the Arch System

PLEASE NOTE:

Arch rafters have locking tabs located at both ends. Once inserted and pushed into the routed holes they will lock into place permanently.

1

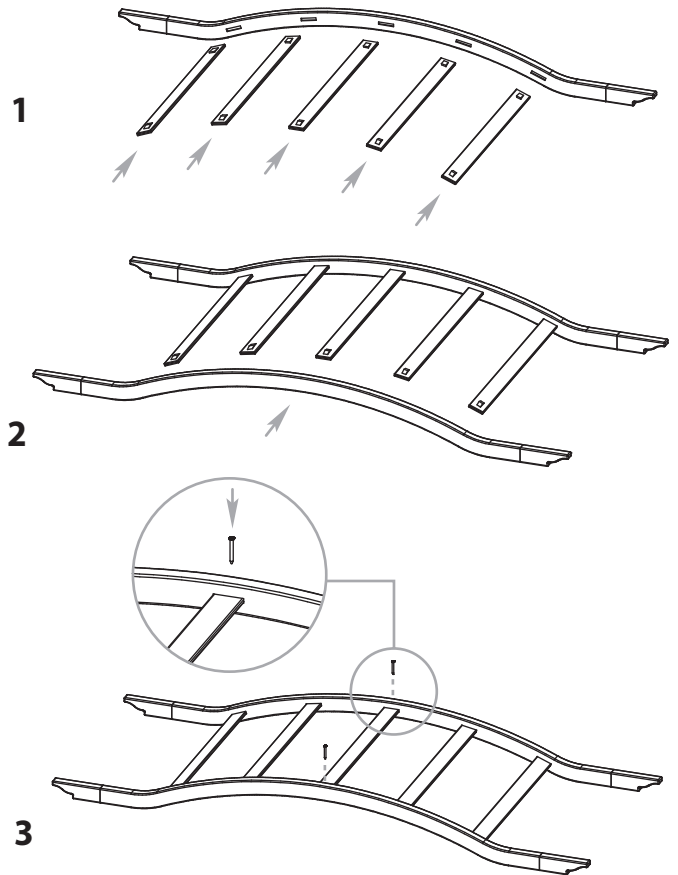
Layout one arch and insert the five arch rafters as illustrated.

2

Holding the opposite arch, guide the arch rafters into the routed holes as illustrated.

3

Fasten the arches to the top rafter using 1 1/4 in (3.17cm.) screws as illustrated.



STEP TWO

Assemble the Side Panels

1

Layout the Side Panel Bottom Horizontal Rail and insert the Middle STRAIGHT Vertical Spindle (slightly shorter than the two outer vertical spindles that will be bent into place).

2

Insert the two vertical spindles that will be BENT into place (slightly longer than middle vertical spindle).

3

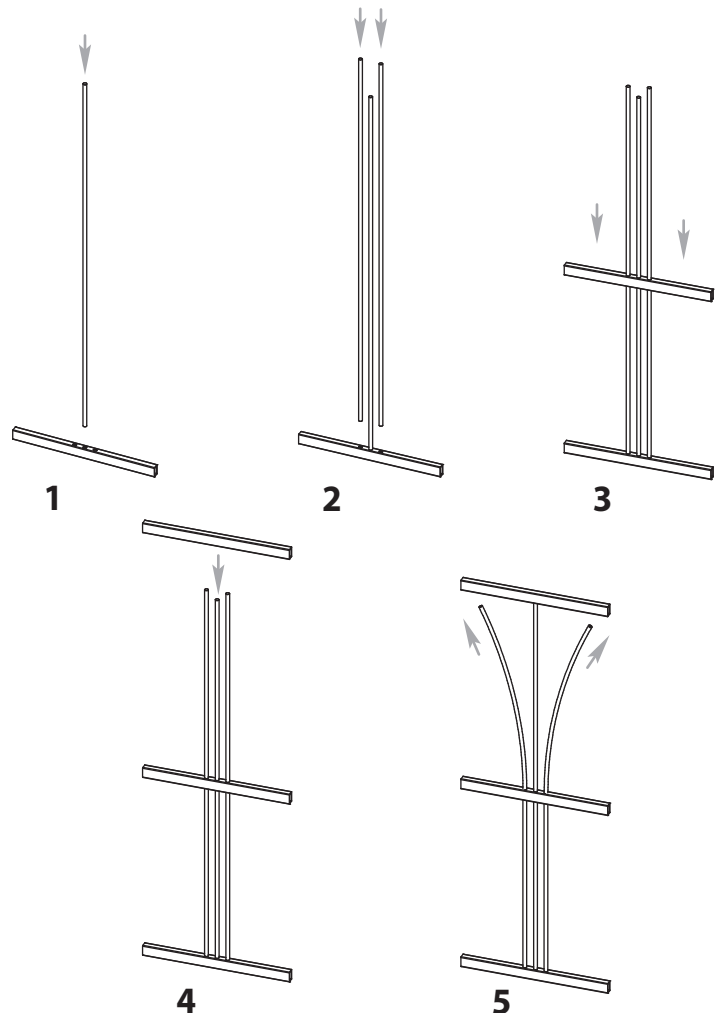
Slide the Side Panel Middle Horizontal Rail over the three vertical spindles to about the middle of the vertical spindles.

4

Position the Side Panel Top Horizontal Rail and insert the Middle Vertical Spindle.

5

Tension bend into place the two outer vertical spindles. The assembled side panel will need to be held together until it is inserted into the post.



(Continued on following page...)

6

Layout one LEFT post (as identified) horizontally with holes facing up and insert the assembled side panel by aligning the horizontal rails with the holes on the post.

7

Layout one RIGHT post (as identified) horizontally with holes facing up and insert the assembled side panel and post into.

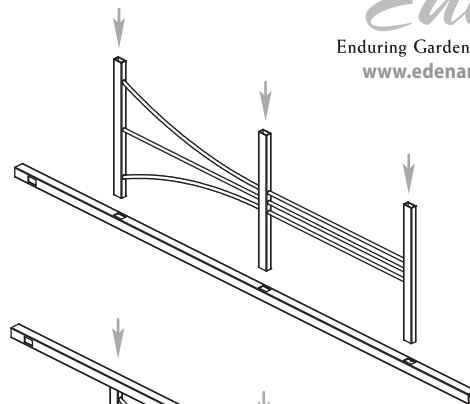
8

Fasten the side panel to the posts by using 1 1/4 in (3.17cm.) screws into the posts as illustrated. Ensure that all horizontal rails on side panel "bottom out" inside the posts prior to screwing together.

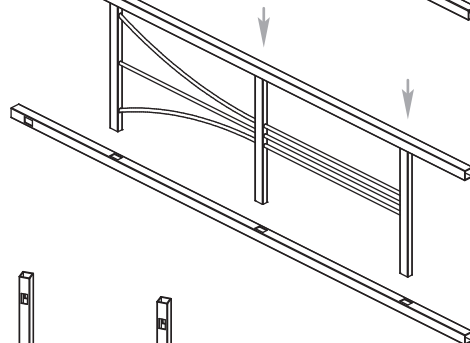
9

Repeat as necessary for other side panel.

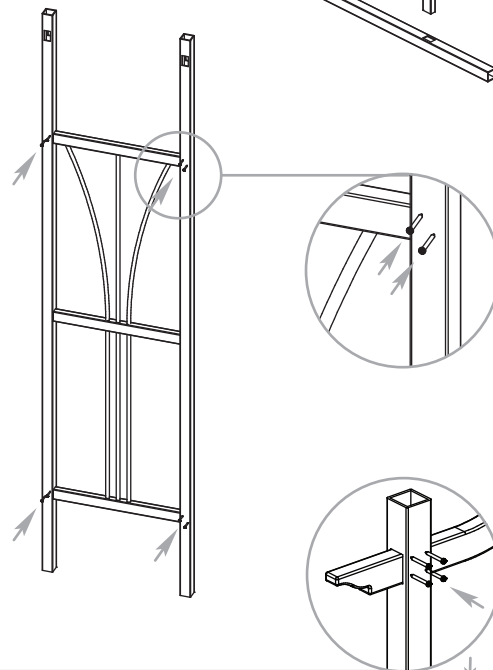
6



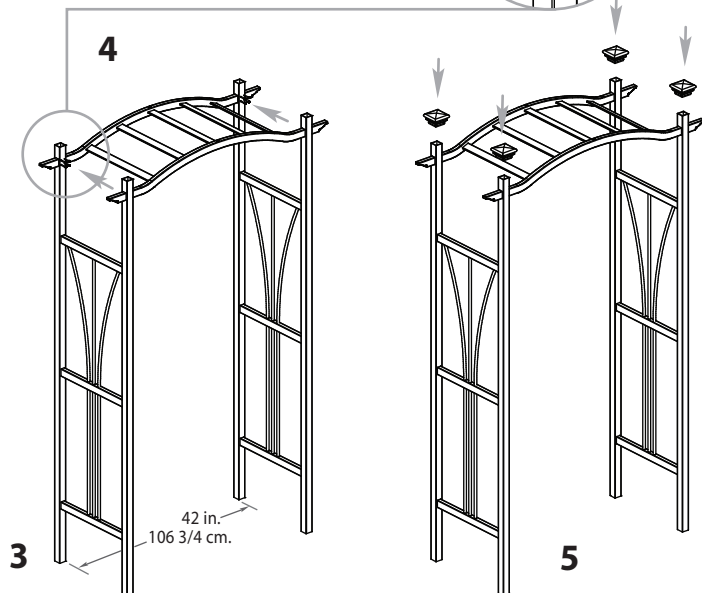
7



8



4



STEP THREE

Connect Arch System to Side Panels

1

Set out one side panel ensuring that holes at the bottom of the posts face outwards. Insert the assembled arch through the holes at the top of the posts.

2

Do the same for the other side panel. You will need a helper.

3

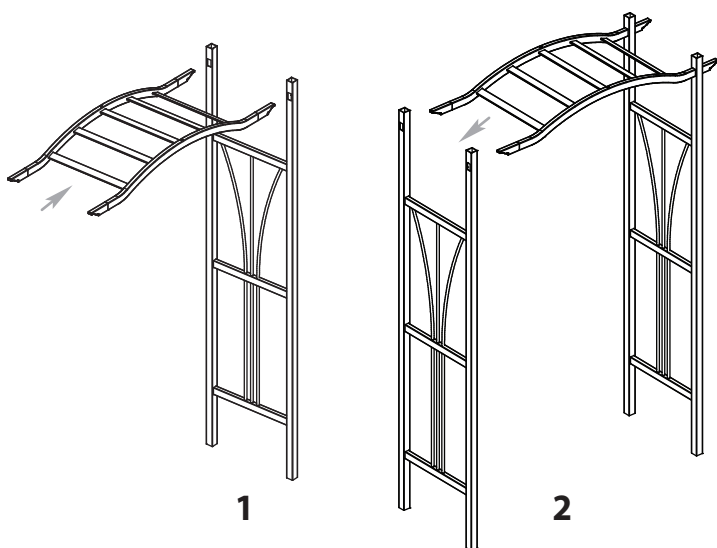
Adjust the opening to 42 in. (106.7cm) between the posts (arbor allows for minor variance if you desire a smaller or larger opening).

4

Fasten the arch system to the posts by installing four screws as illustrated at each post.

5

Place post caps on top of posts.



STEP FOUR

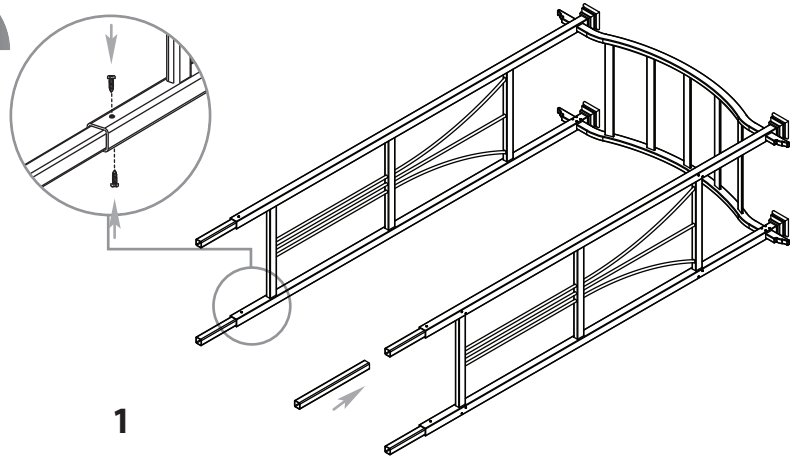
Arbor Installation

Arbors must be well secured to prevent tipping over from wind load, etc. We have provided four ground anchors for securing the arbor in a temporary application like a wedding, etc. These anchors are not designed to permanently mount your arbor. If you are installing your arbor on concrete or a wood deck, visit your hardware store to purchase the appropriate galvanized bracketing hardware.

Ground Stakes Installations

1

Slide the four ground anchoring stakes into the bottom of each posts until it bottoms out and secure with two screws, one on the inner side and one on the outer side of the posts as shown.

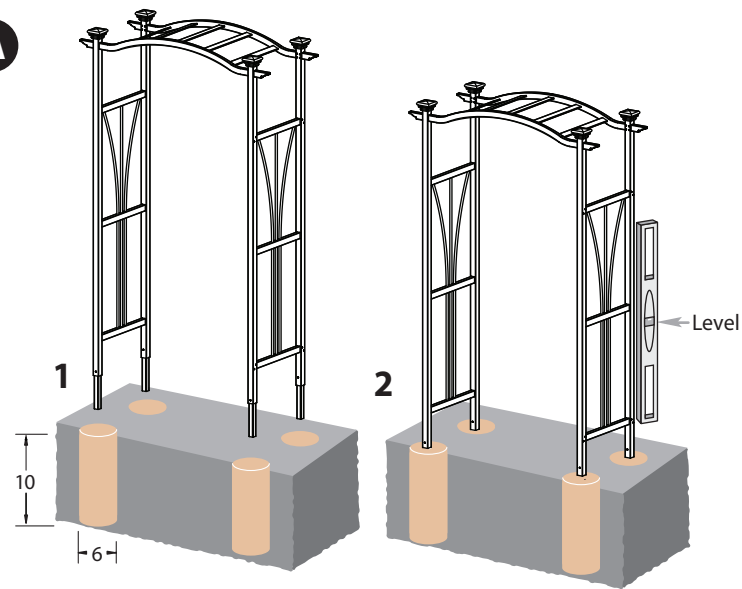


A Into Earth (temporary Installation)

1

Move the arbor to its final location (you will need a helper). When you are satisfied with the location, mark the locations of the posts, then move the arbor aside and lay it carefully on its side. Excavate 4 holes approx. 10" deep. Carefully move the arbor back into position and level it both vertically and horizontally. Backfill the holes with the excavated soil to cover the anchors.

A



B Into Earth With Concrete Footing

1

Similar to the above steps, move the arbor to its final location. When you are satisfied with the location, mark the locations of the posts, then move the arbor aside and lay it carefully on its side. Excavate 4 holes approx. 18" deep, 6" diameter.

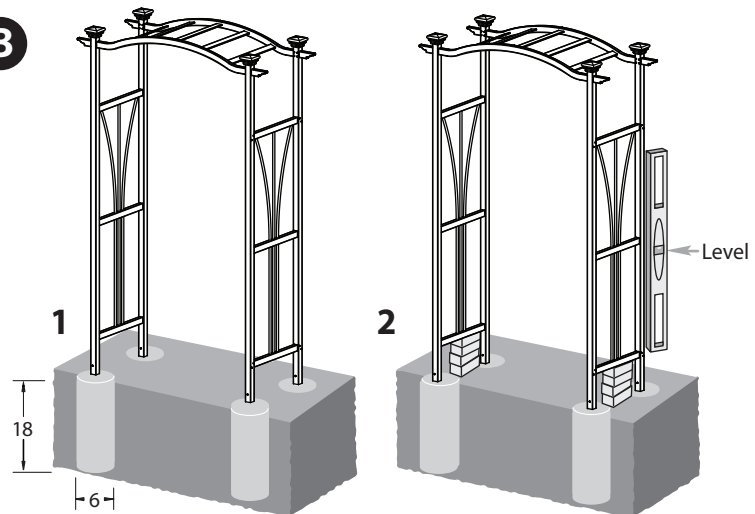
2

Fill the holes with wet cement flush to the ground. You will need 2 bags of pre-mix concrete (purchase separately). Carefully move the arbor back into position.

3

Support the arbor and level over the holes with bricks, stones or blocks of wood under the bottom rail of the side panel. The post bottoms should insert themselves approximately 1" into the concrete. Allow the concrete to set.

B



Eden™

Enduring Garden Architecture