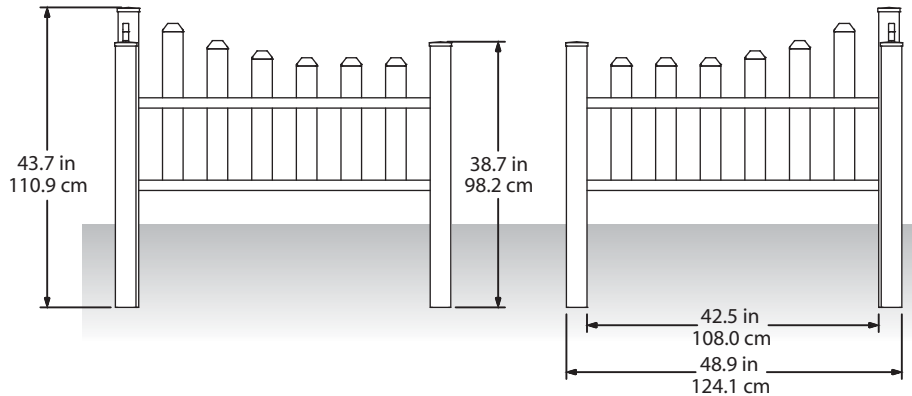
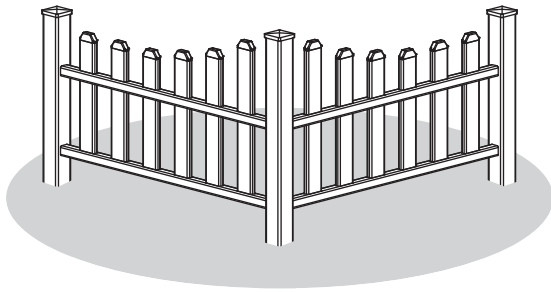




Enduring Garden Architecture
www.edenarbors.com

ASSEMBLY INSTRUCTIONS

Country Corner Picket



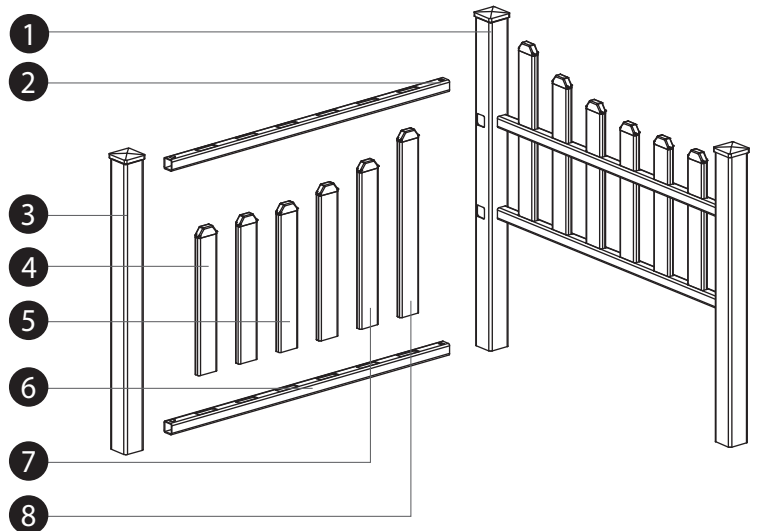
Please read through before starting assembly.

IMPORTANT: CHECK THE INSIDE OF YOUR POSTS FOR ALL MATERIALS.

Check Box for These Contents

In the event of damaged, missing or defective parts please call our customer service dept. at **1 800 282 9346, ext #20** (Mon. to Fri. 8:00 AM to 4:00 PM EST).

1. Corner Post (1) 3" x 3" x 43"
2. Top Rails (2) 1 1/2" x 1 1/2" x 44.73"
3. End Post (2) 3" x 3" x 38"
4. 18" Pickets (6) 7/8" x 3" x 18"
5. 19" Pickets (2) 7/8" x 3" x 19"
6. Bottom Rails (2) 1 1/2" x 1 1/2" x 44.73"
7. 20 1/2" Pickets (2) 7/8" x 3" x 20 1/2"
8. 23" Pickets (2) 7/8" x 3" x 23"



Optional Materials

3 Bags of pre-mix concrete for extra post stability.

Tools You Will Need

- Shovel
- Tape measure

General Information

Read Instructions through carefully before beginning assembly.

- When assembling components, place on a non-abrasive surface (i.e. shipping box) to avoid scratching.
- We recommend an area approx 10 ft. x 8 ft. for unobstructed assembling.
- You should not need to use excessive force when assembling components.

Assemble the Post and Frame

1

Layout the corner post.

2

Insert the top rail (holes on both sides of rail) into the top hole on corner post ensuring that the holes in the rail are facing the other hole in the corner post. **This is critical to ensure proper orientation for ultimately inserting pickets.**

3

Insert the bottom rail (holes on one side) into the bottom hole on corner post. Ensure that holes in the rail are facing the other hole in the corner post.

4

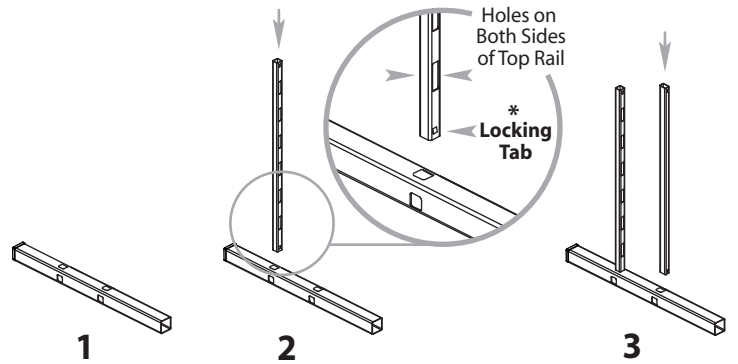
Repeat steps 1 and 2 for the remaining top and bottom rails as illustrated in the remaining two holes on the other side of the corner post.

5

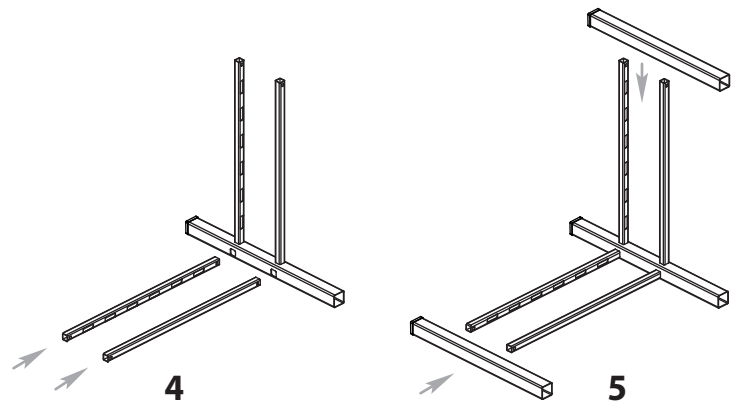
Insert the remaining open rail ends into the two end posts and push past the locking tabs to create the "frame" of your corner picket.

6

Determine the desired location for your corner picket, and dig three 12" deep holes using the distances as illustrated. Set the completed "frame" into the holes and check each rail for level. At this time, you may need to adjust the depths of the holes. Use a level to check each post and once you are satisfied with the orientation, fill in the holes (cement is optional, but recommended).



*** Once rails are inserted into holes and pushed past locking tabs they will LOCK INTO PLACE PERMANENTLY.**



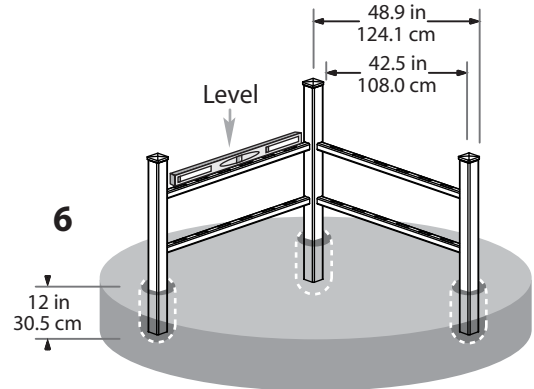
Assemble the Pickets

7

Starting with the 23" pickets, slip each one down through the top rail and into the bottom rail on either side of the corner post. **Note: The tabs on the end of the pickets go into the bottom rail.**

8

As in step 6, slip each of the remaining pickets through the next five holes on either side of the corner post. Insert the pickets in descending order, ending with three 18" pickets on each side.



*** Once pickets are inserted into holes and pushed past locking tabs they will LOCK INTO PLACE PERMANENTLY.**

