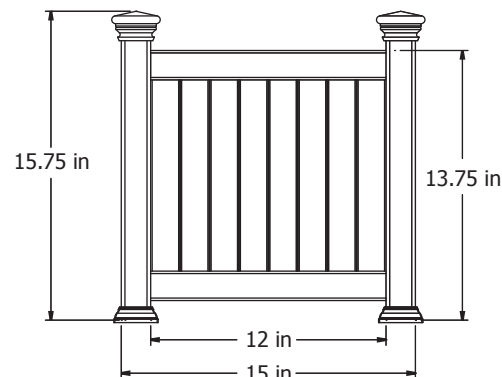
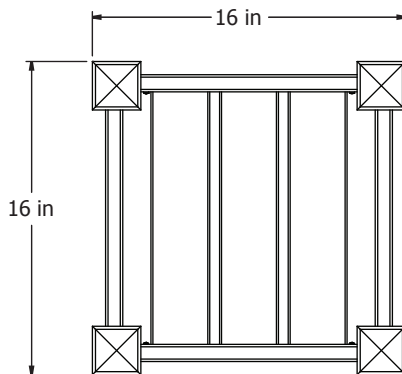
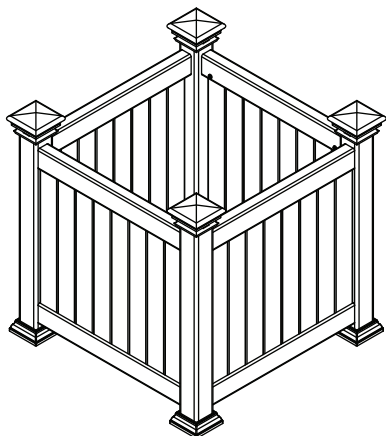


# ASSEMBLY INSTRUCTIONS

## The Cardiff Planter Box

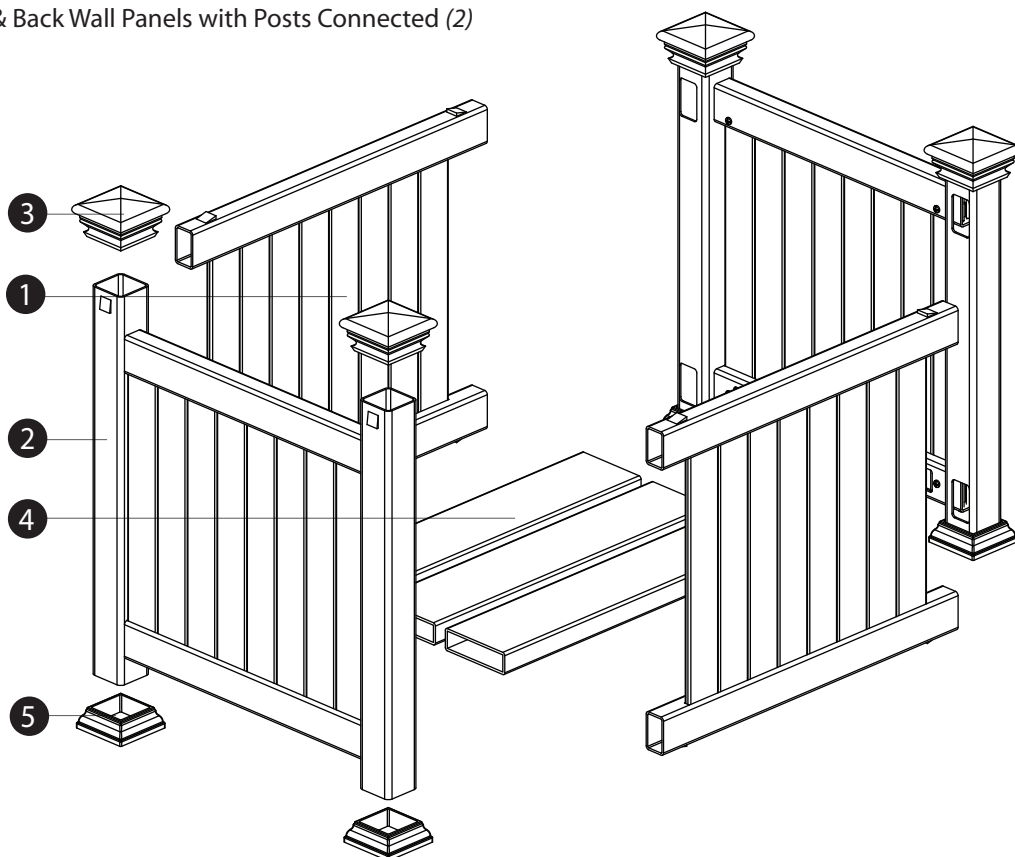


*Please read through before starting assembly.*

### Check Box for These Contents

In the event of missing or defective parts please call our customer service dept. at **1 800 282 9346, ext #20** (Mon. to Fri. 8:00 AM to 4:00 PM EST).

1. Pre-Assembled Side Wall Panels (2)
2. Pre-Assembled Front & Back Wall Panels with Posts Connected (2)
3. Post Caps (4)
4. Floor Boards (3)
5. Base Trim (4)



### General Information

- **Read Instructions through carefully before beginning assembly.**
- When assembling components, place on a non-abrasive surface (i.e. shipping box) to avoid scratching.
- We recommend an area approx 4'x 8' for unobstructed assembling.
- You should not need to use excessive force when assembling components.

## STEP ONE

### Connect the Front & Back Wall to the Side Wall Panels

1

Lay out front wall panel on the work surface.

2

Insert the side walls into the routed holes on the front wall panel posts until rails bottom out. Push until the locking tabs snap into place.

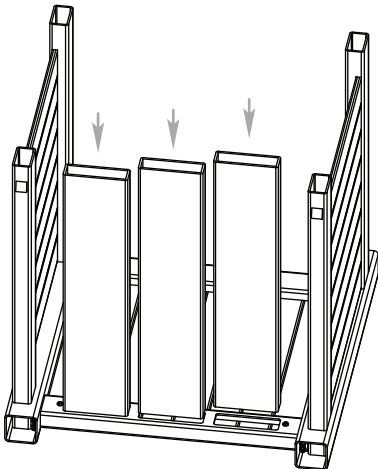
3

Insert the three floor boards into the pre-routed hole.

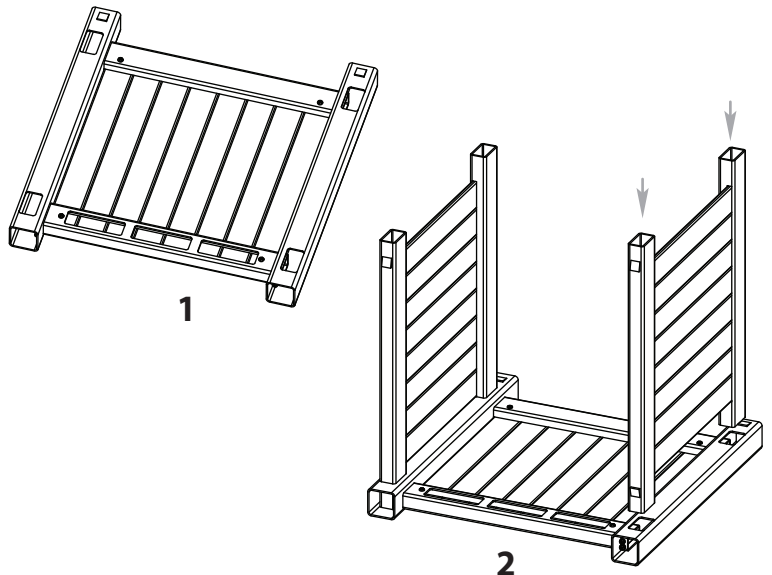
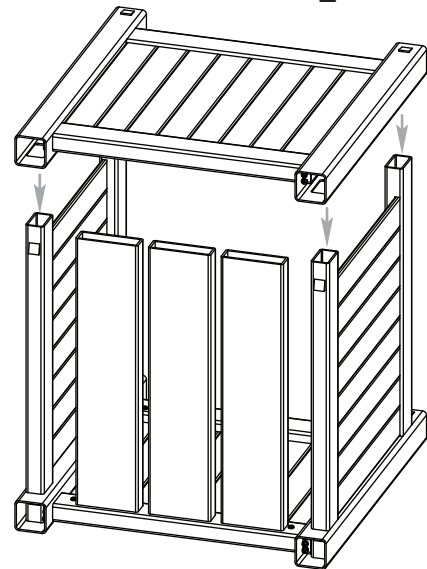
4

Align and insert the pre-assembled back panel to the side wall panels. Ensure the bottom slats are also inserted into the pre-routed hole. Push until the locking tabs snap into place.

3



4



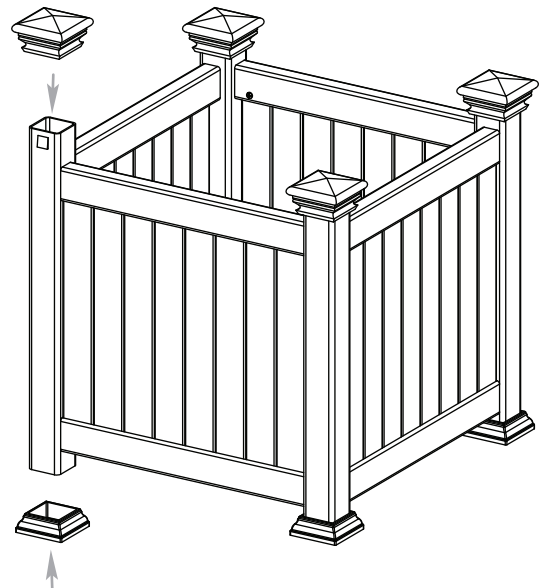
## STEP TWO

### Install Post Caps

5

Install the four Post Caps and Base Trims. Push post caps until the locking tabs snap into place.

5



*Eden*  
Outdoor Collection™