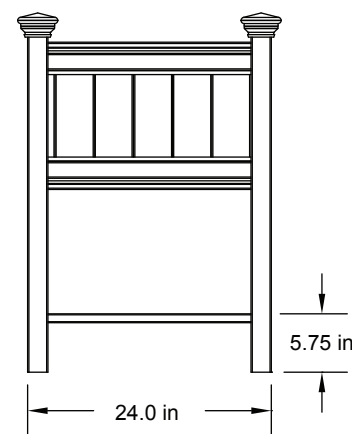
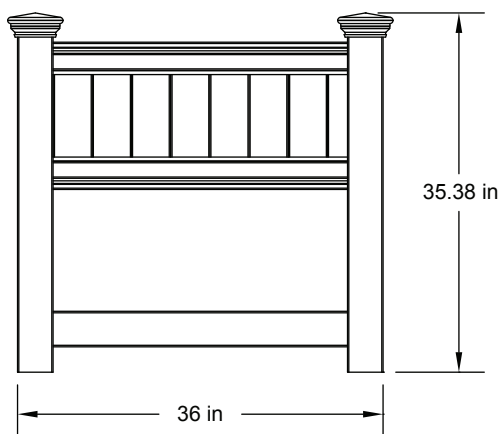
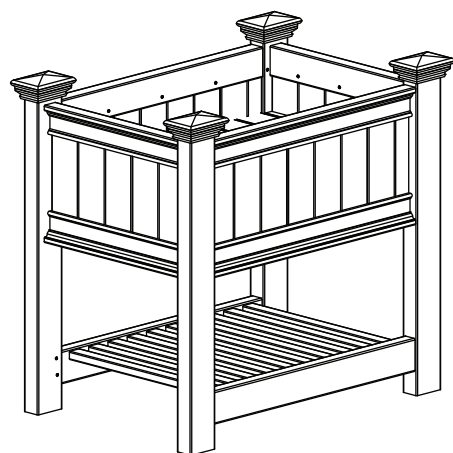


ASSEMBLY INSTRUCTIONS

Eden
Outdoor Collection™

www.edenarbors.com

The Cambridge Raised Planter Box

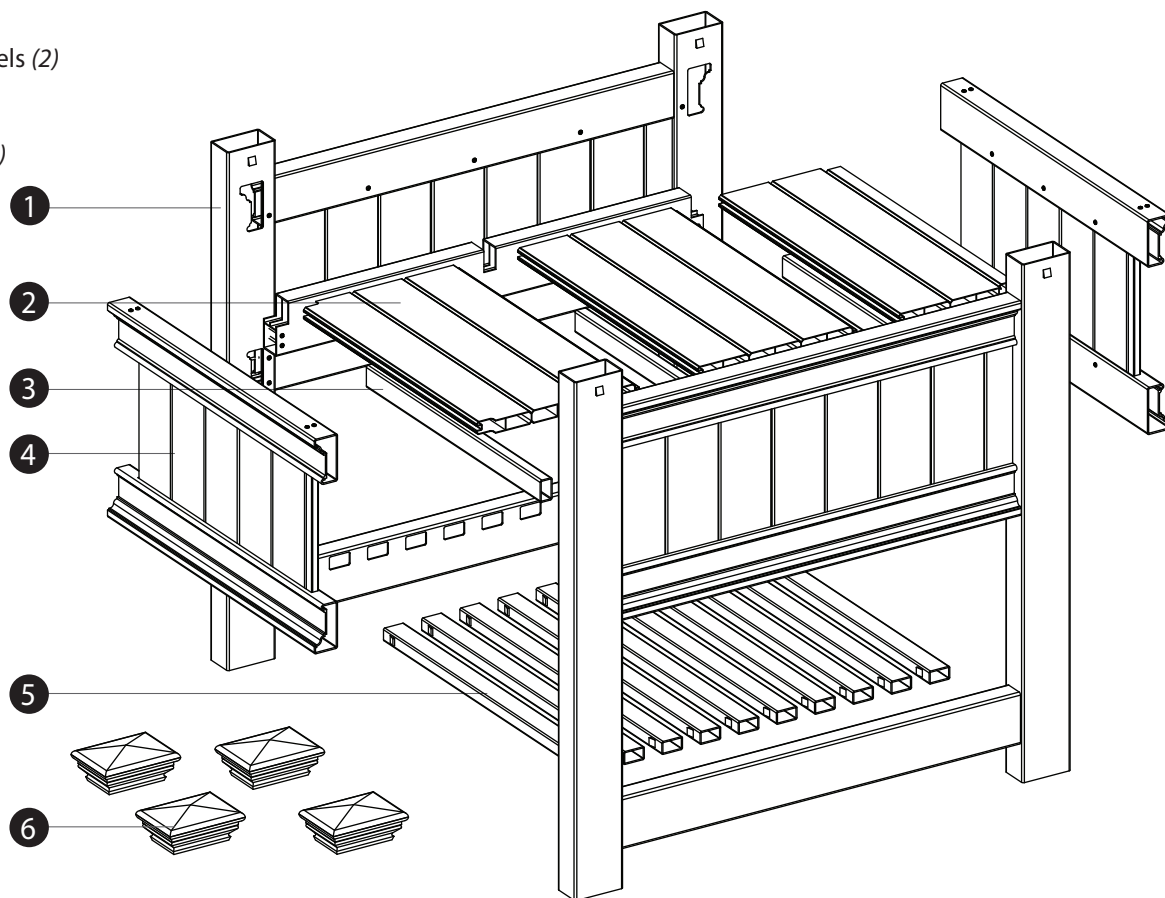


Please read through before starting assembly.

Check Box for These Contents

In the event of missing or defective parts please call our customer service dept. at **1 800 282 9346, ext #20** (Mon. to Fri. 8:00 AM to 4:00 PM EST).

1. Pre-Assembled Front & Back Wall Panels with Posts Connected (2)
2. Floor Panels (3)
3. Floor Supports (3)
4. Pre-Assembled Side Wall Panels (2)
5. Shelf Boards (10)
6. Post Caps (4)
7. 5/8" Stainless Steel Screws (8)



General Information

- **Read Instructions through carefully before beginning assembly.**
- When assembling components, place on a non-abrasive surface (i.e. shipping box) to avoid scratching.
- We recommend an area approx 4'x 8' for unobstructed assembling.
- You should not need to use excessive force when assembling components.



7

Not to Scale

STEP ONE

Connect the Shelf Boards to the Back Wall

1

Lay out back wall panel on the work surface.

2

Insert the shelf boards into the routed holes on the bottom rail. Push until the locking tabs snap into place.

3

Insert the two side walls into the back wall panel as shown. Note the tabbed rail will go on the bottom.

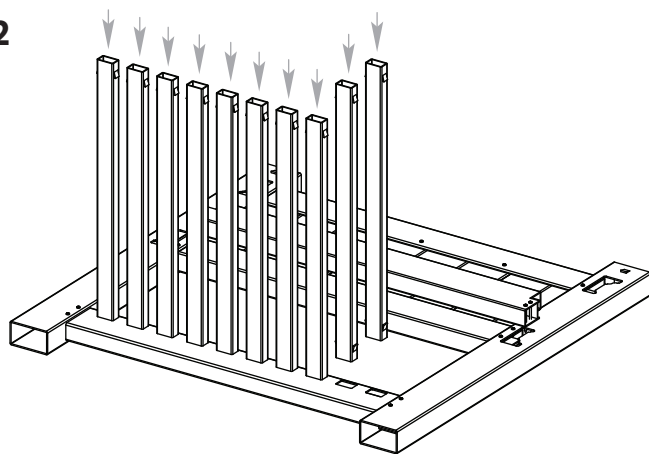
4

Align and insert the front wall to the assembly, ensuring all the shelf boards snap into place and side walls are inserted.

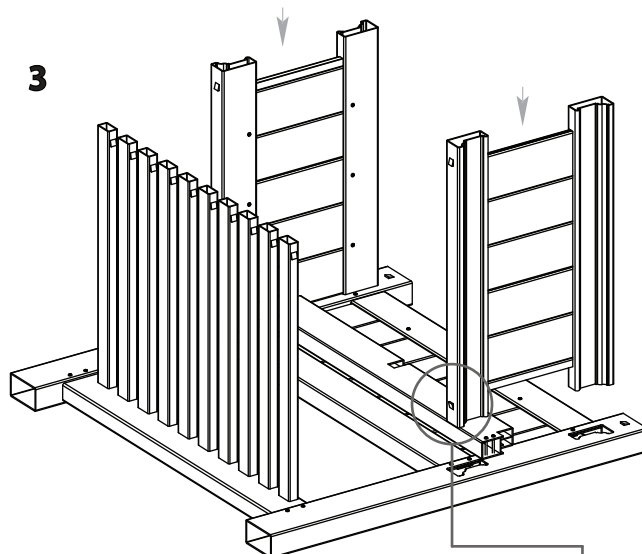
5

Using the provided 5/8" screws, fasten the side wall to the front and back wall from the inside of the posts as shown. Each post will use two screws.

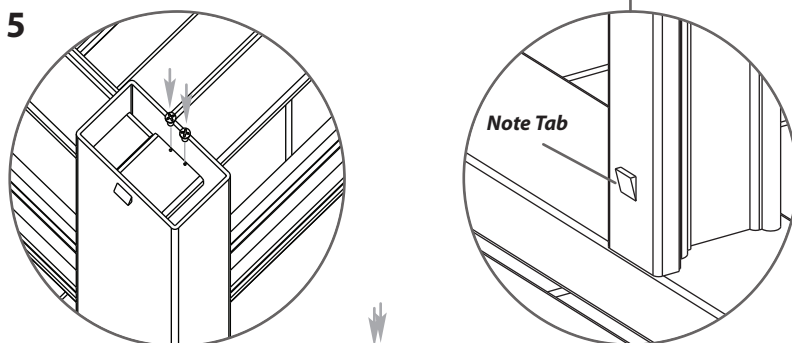
2



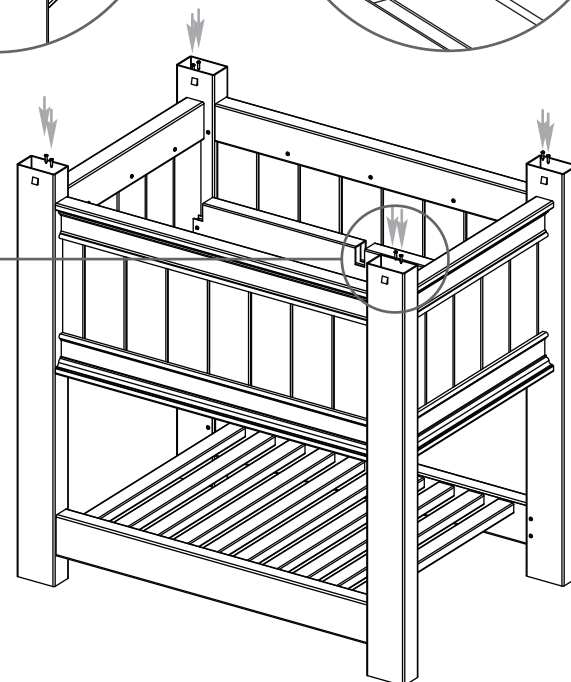
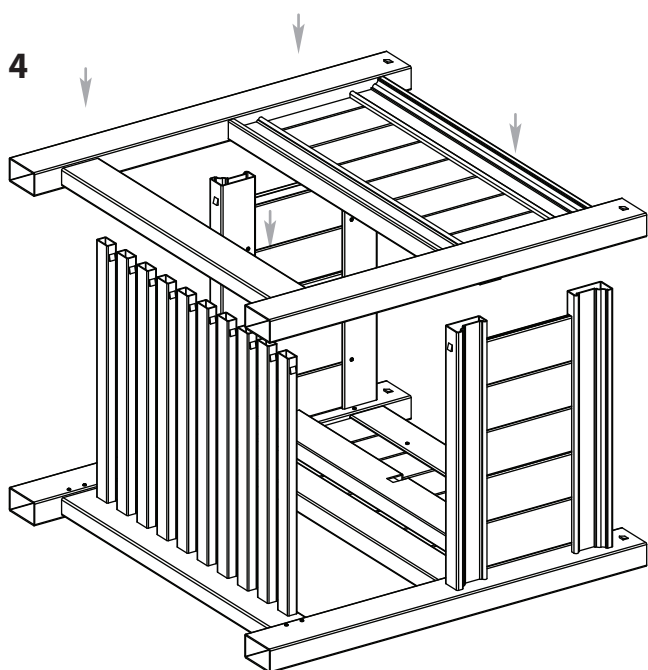
3



5



4



Eden
Outdoor Collection™

STEP TWO

Insert The Floor Panels

1

Place three floor supports onto the notched sections of the front and back walls.

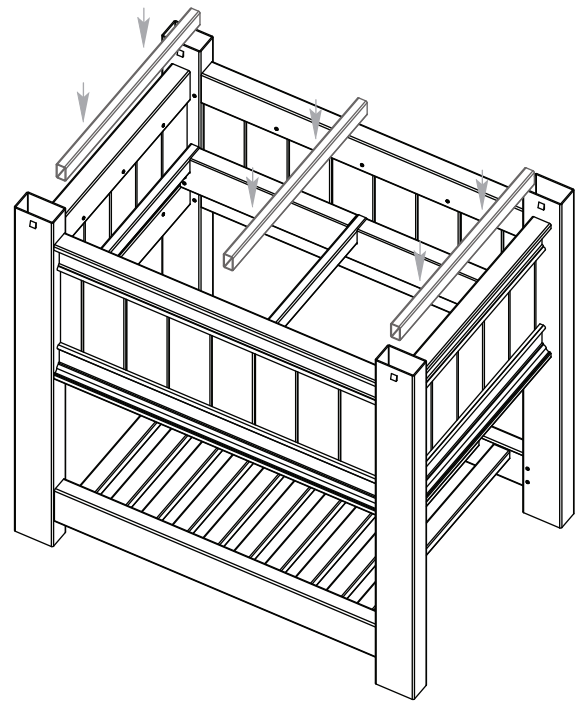
2

Place the three floor panels onto the floor supports as shown. Note the notches on the one side of the two panels. These notches are to wrap around the posts.

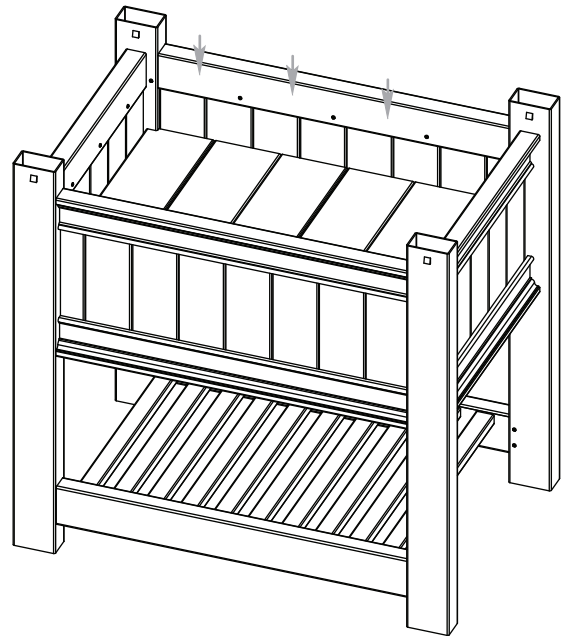
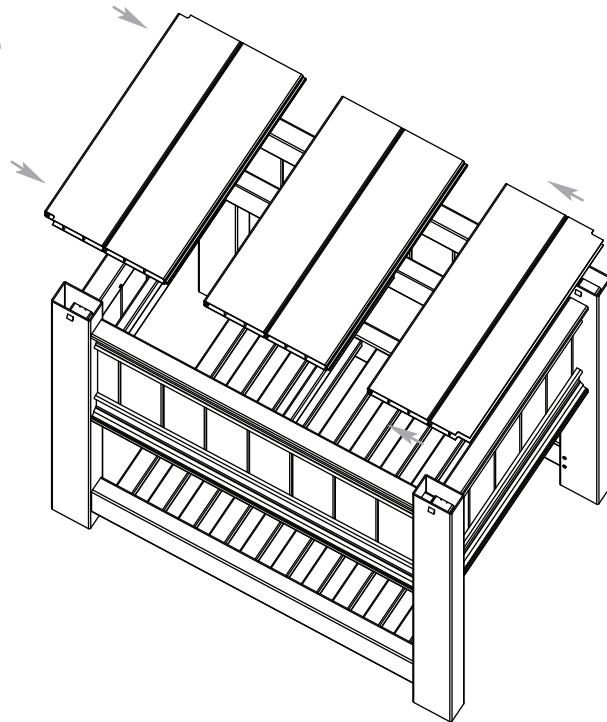
3

Pressure fit the post caps into place. Push until they snap into place.

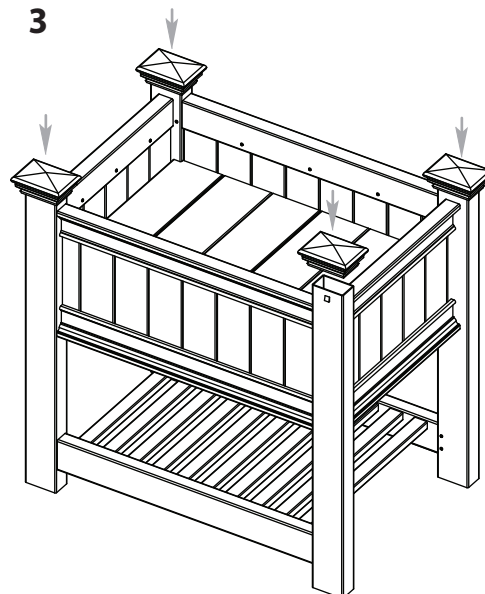
1



2



3



Eden
Outdoor Collection™