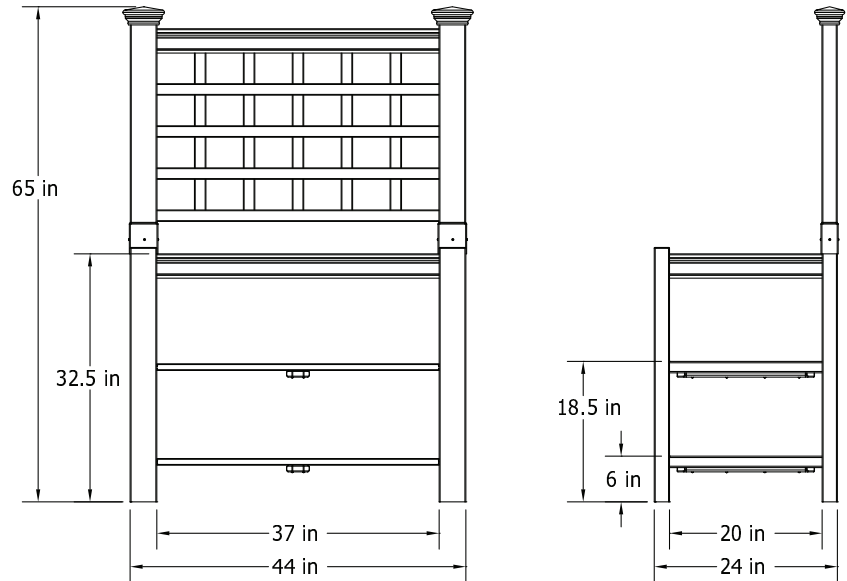
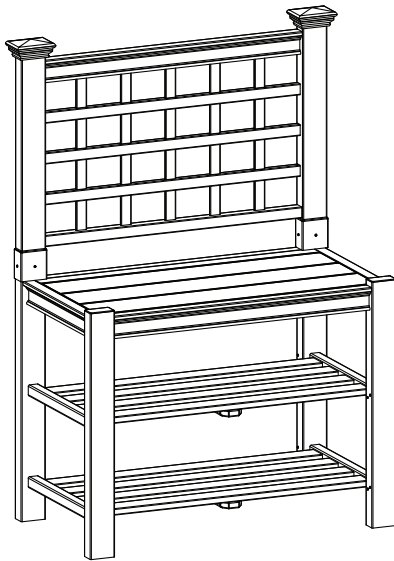


## Burbank Potting Bench Assembly

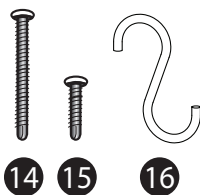


Please read through before starting assembly.

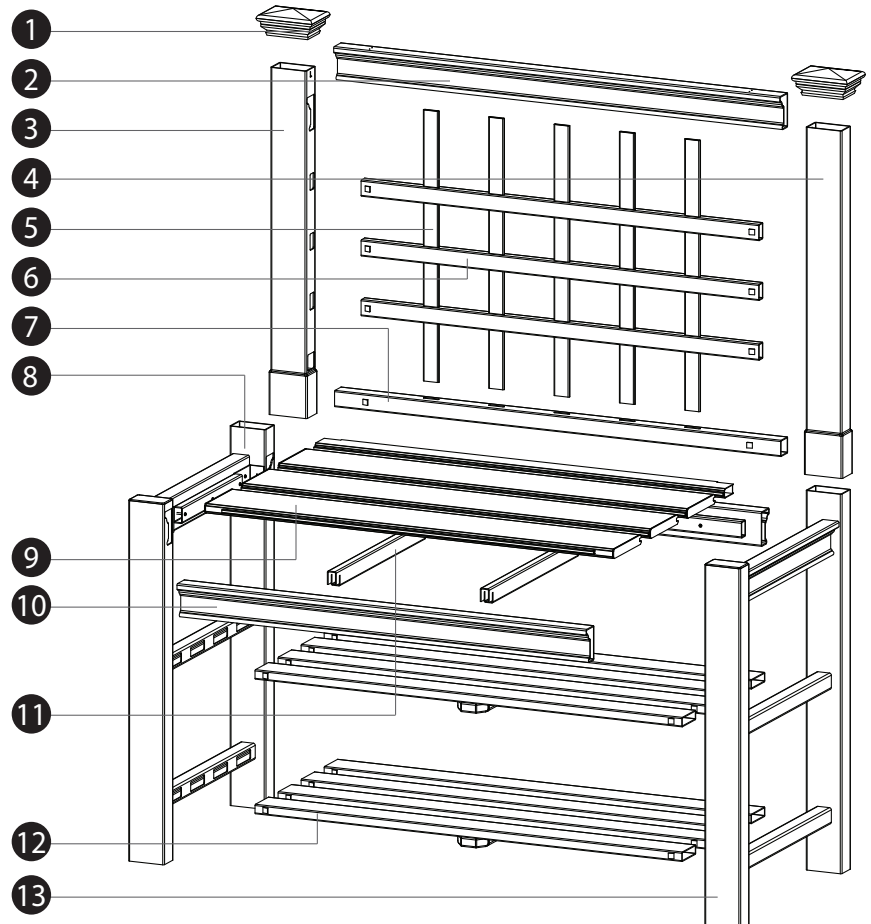
### Check Box for These Contents

In the event of missing or defective parts please call our customer service dept. at **1 800 282 9346, ext #20** (Mon. to Fri. 8:00 AM to 4:00 PM EST)

1. Post Caps (2)
2. Trellis Top Rail (1)
3. Trellis Post - Left (1)
4. Trellis Post - Right (1)
5. Trellis Slats - Vertical (5)
6. Trellis Horizontal Rail - Middle (3)
7. Trellis Horizontal Rail - Bottom (1)
8. Potting Bench Pre-assembled Left Panel (1)
9. Potting Bench Boards with End Caps Installed (4)
10. Potting Bench Pre-assembled Top Rail - Front & Rear (2)
11. Potting Bench Board Supports (2)
12. Potting Bench Pre-assembled Shelves (2)
13. Potting Bench Pre-assembled Right Panel (1)
14. 1 1/2" Stainless Steel Screws (16)
15. 5/8" Stainless Steel Screws (4)
16. S-Hooks (3)



Not to Scale



### General Information

- Read Instructions through carefully before beginning assembly.
- When assembling components, place on a non-abrasive surface (i.e. shipping box) to avoid scratching.
- We recommend an area approx 4'x 8' for unobstructed assembling.
- You should not need to use excessive force when assembling components.

**STEP ONE**

**1**

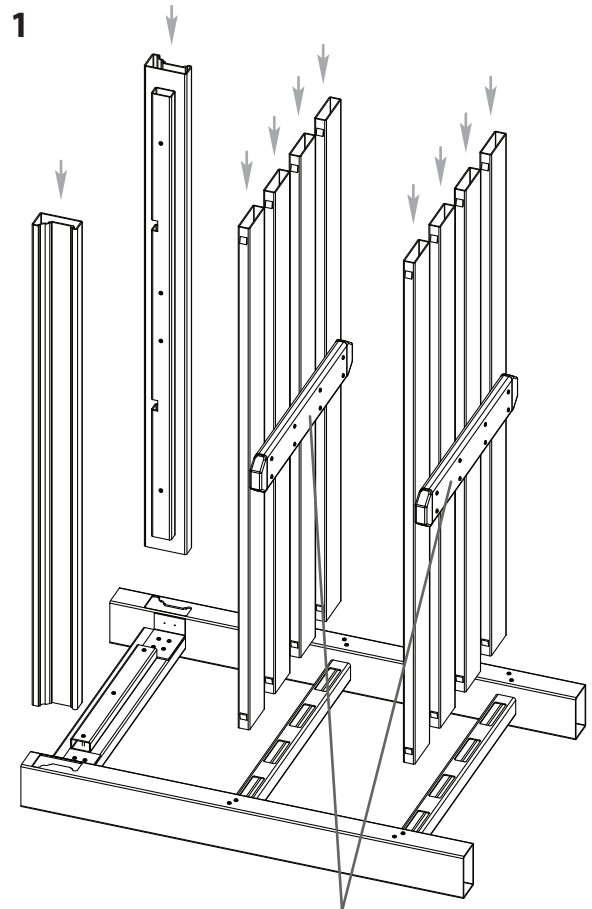
Lay one of the pre-assembled side panel on the ground as shown aside (Left panel shown) and insert the two pre-assembled top rails as well as the two pre-assembled shelves. You might need a helper to stabilize the components as they are inserted into the side panel. Note: The shelf rails have tabs at the end of the extrusions; push them firmly into the routed hole until the tabs lock into place.

**2**

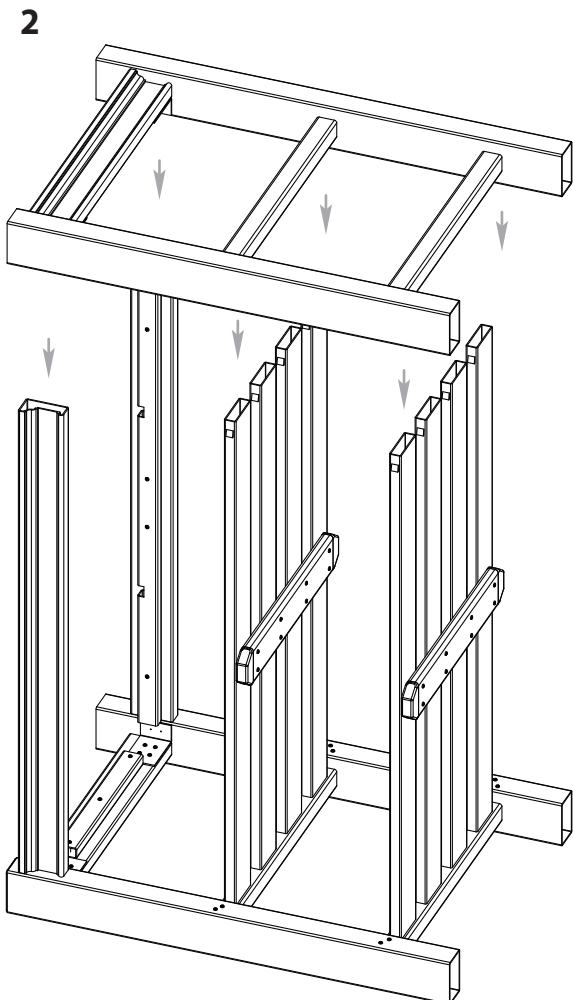
With a helper, align and insert the other pre-assembled side panel onto the assembly from Step One above. Push shelf rails until the tabs lock into place.

**3**

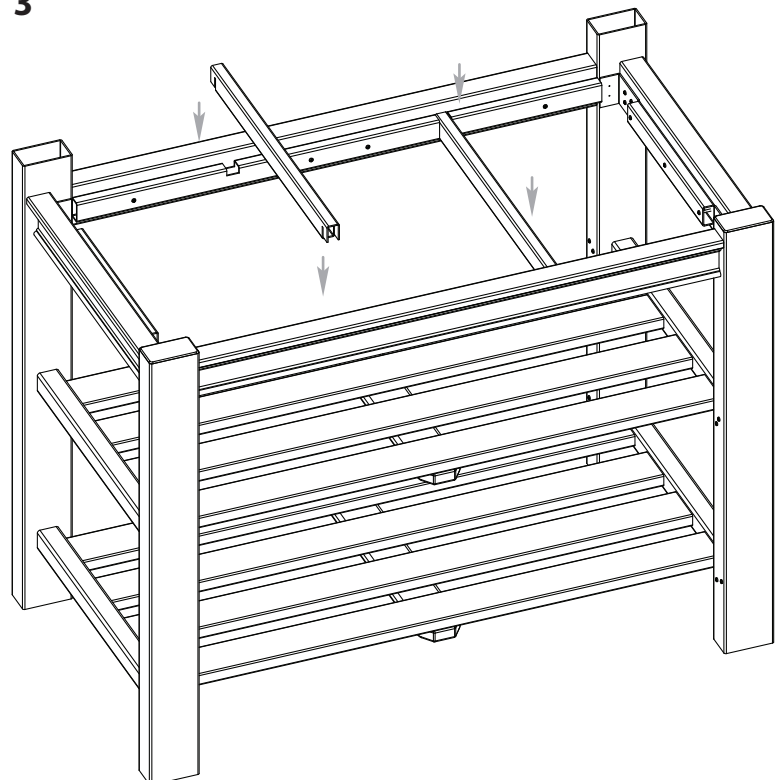
Carefully stand up the potting bench on its legs as shown and insert the two board supports to help stabilize the entire assembly. Make sure the two board supports are fully inserted into the pre-assembled top rails (they are notched)



**Note: Shelf braces should be facing down (away from the top rails)**



**3**



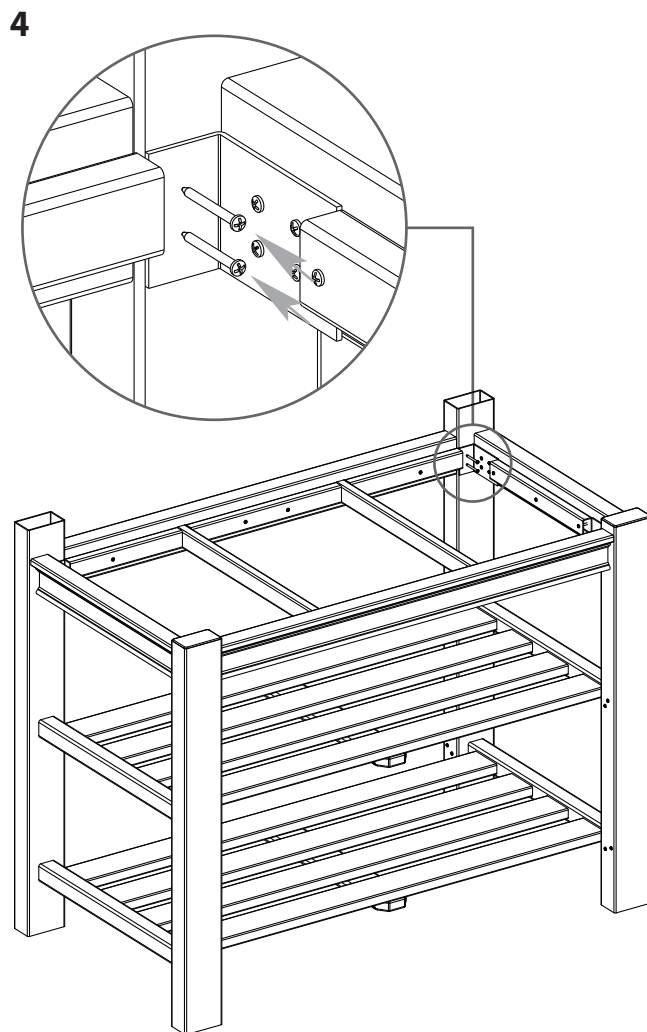
## STEP ONE

4

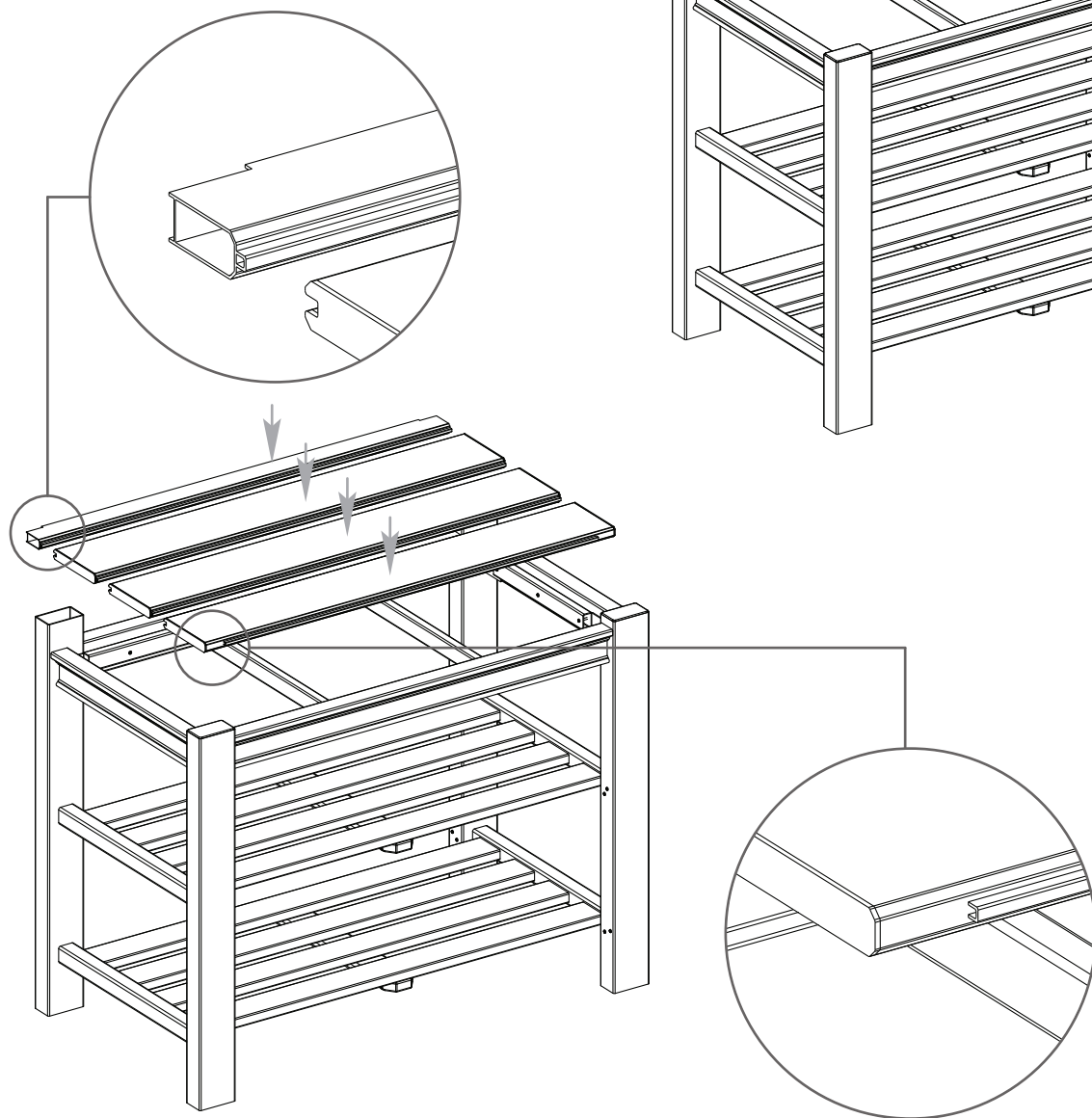
Fasten the Pre-assembled side panels to the top rails using two 1 1/2" screws provided as shown. Repeat for all four corners.

5

Line up and insert the four potting bench boards one by one. Note the difference between the four boards and the order they go in (see illustration below).



5



## STEP TWO

**1**

To assemble the lattice, first insert the vertical lattice slats (5) into the three middle rails as shown aside. Excessive force should not be needed.

**2**

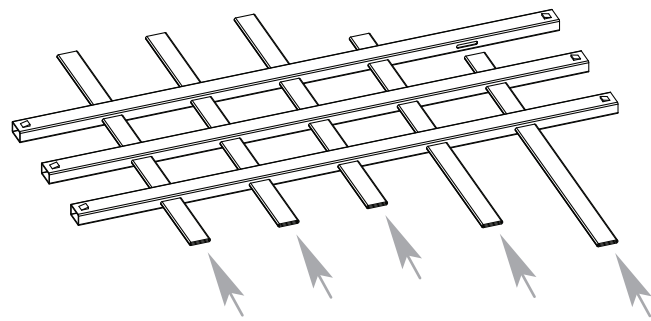
Insert the component from the previous step onto the top and bottom rail as shown.

Note the routed hole offset on the bottom rail. Make sure the holes are closer towards the back (flat part of the top rail).

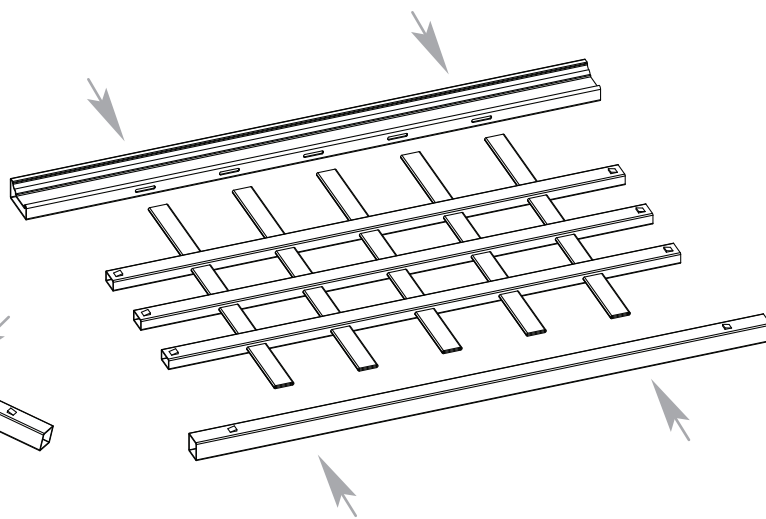
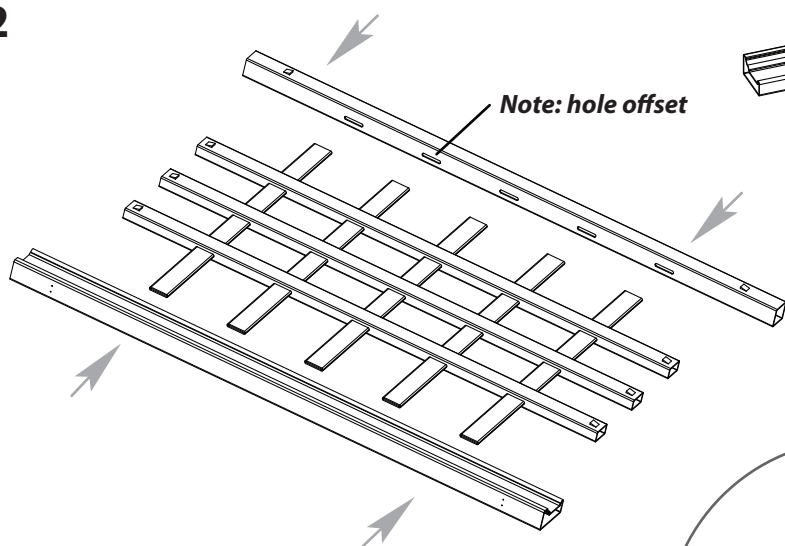
**3**

Insert the left and right trellis posts as shown. Note the tabs at the end of the rails. Once inserted, the tabs will lock the assembly into place.

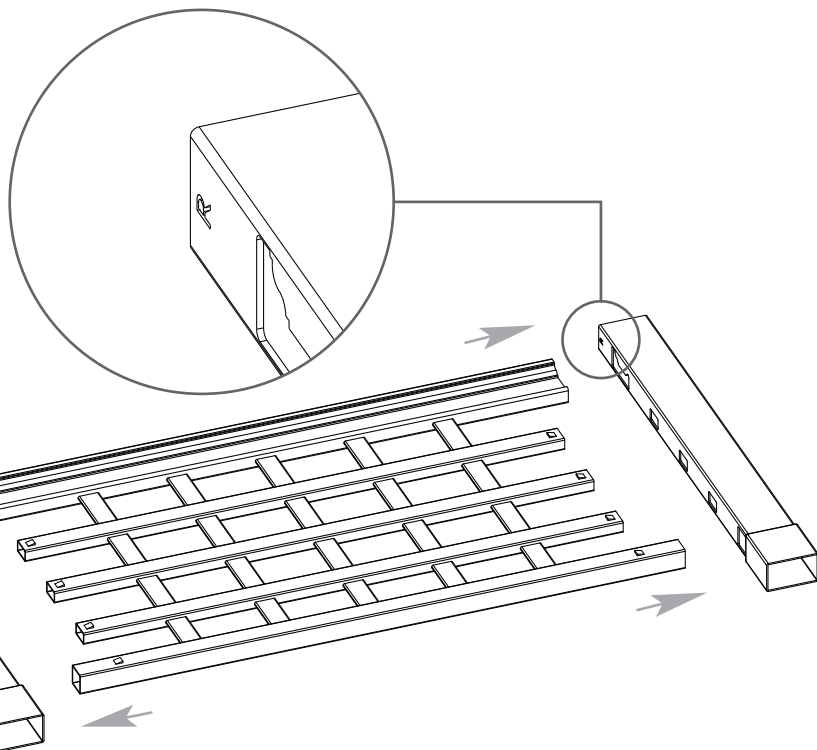
**1**



**2**



**3**



# The Burbank Potting Bench

## STEP TWO

4

Fasten the top rail onto the trellis posts by fastening two 5/8" screws per side as shown. Screws do not need to be fasten all the way down (half way is sufficient)

5

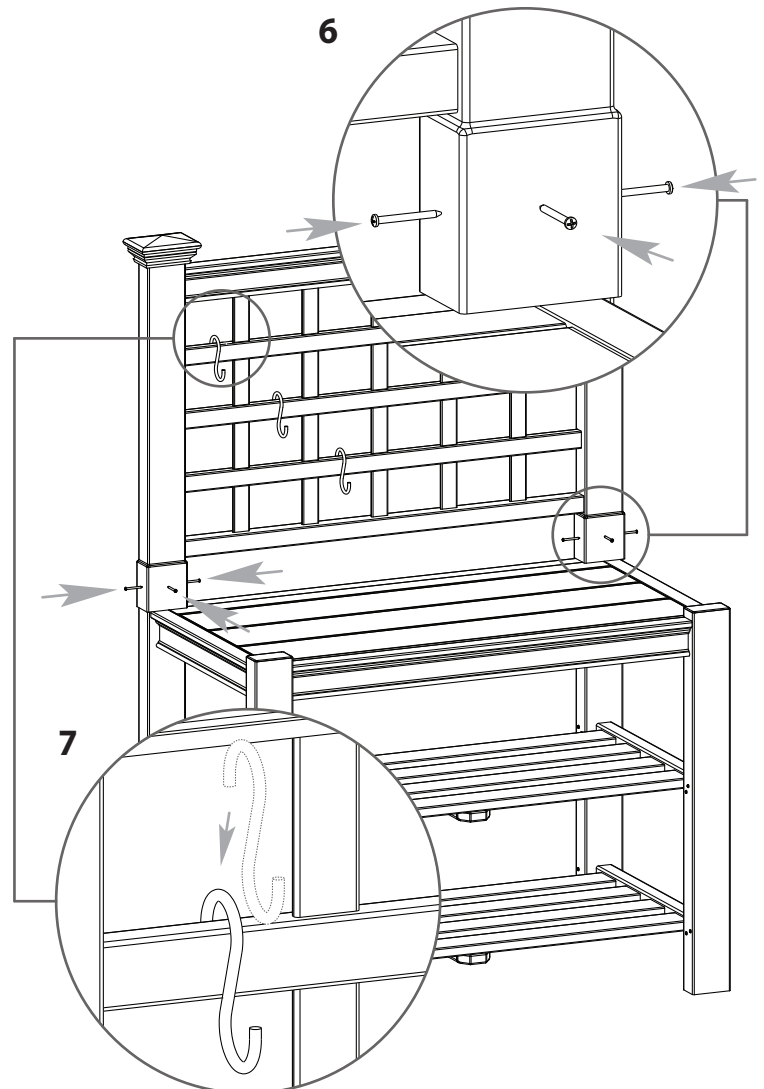
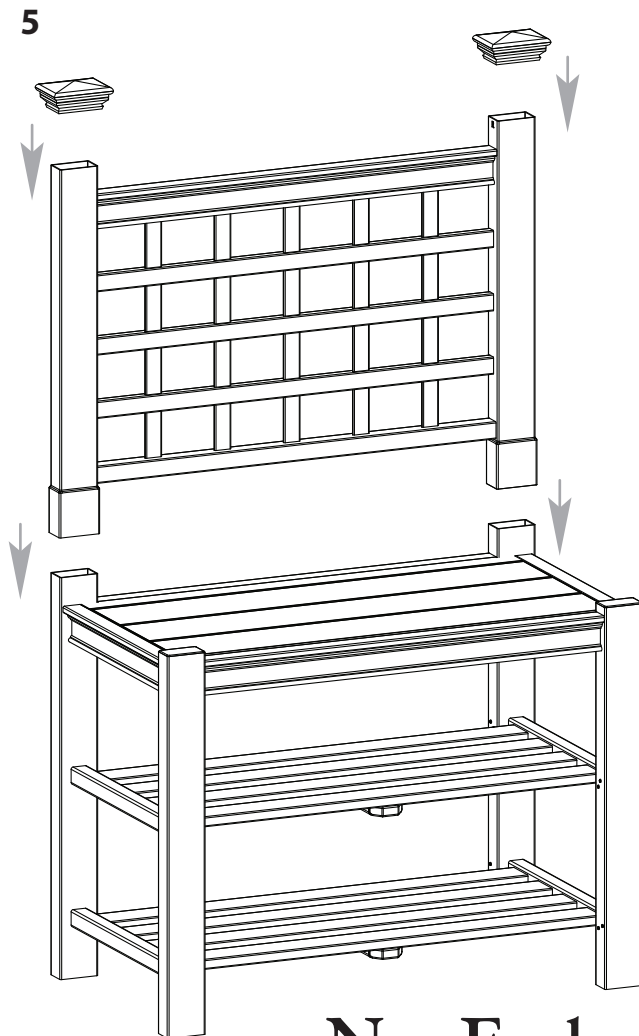
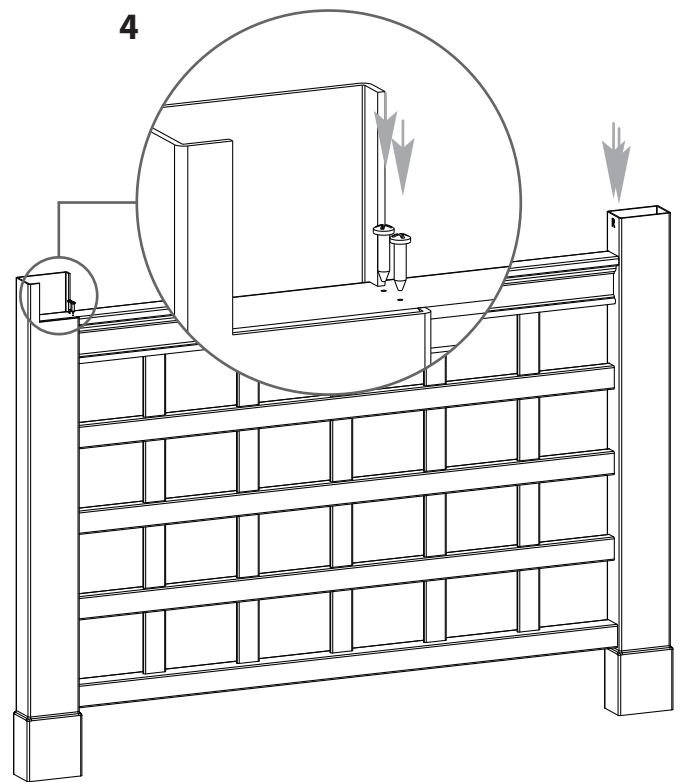
Attach the trellis assembly onto the back posts of the potting bench followed by the two posts caps as shown. You may need a helper to align the two posts together.

6

Fasten the trellis assembly to the potting bench using 8 of the 1 1/2" screws provided as shown.

7

Hang the three provided hooks on the trellis as shown to hang gloves, pots, garden tools, etc.



**New England**  
Arbors  
Leadership by Design  
[www.newenglandarbors.com](http://www.newenglandarbors.com)