

# ASSEMBLY INSTRUCTIONS

New England<sup>®</sup>  
Arbors  
Leadership by Design

## The 5x5 Professional Post Extension Kit (Designed to be used with any New England Arbor with 5x5 Posts)

Please read through before starting assembly.

### Check Box for These Contents

In the event of missing or defective parts please call our customer service dept. at **1 800 282 9346, ext #20** (Mon. to Fri. 8:00 AM to 4:00 PM EST).

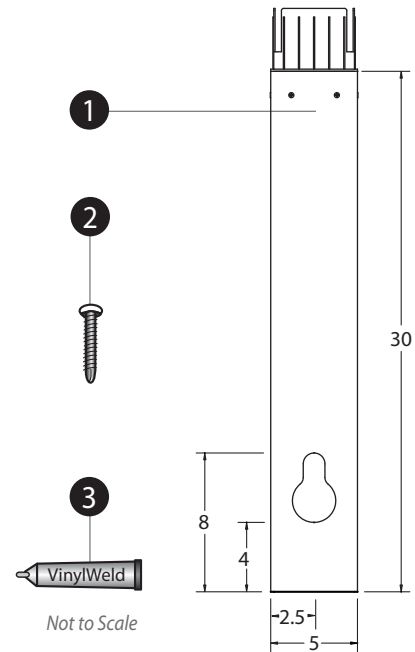
1. 5 x 5 x 30" Post Extensions (4)
2. #8 x 1 1/2" Stainless Steel Screws (32)
3. Vinyl Weld (1)

### Tools You Will Need

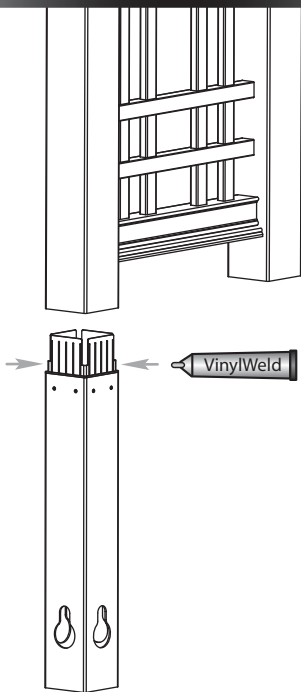
- Cordless Drill

### General Information

- **Read Instructions through carefully before beginning assembly.**
- When assembling components, place on a non-abrasive surface (i.e. shipping box) to avoid scratching.
- We recommend an area approx 5'x 8' for unobstructed assembling.
- You should not need to use excessive force when assembling components.

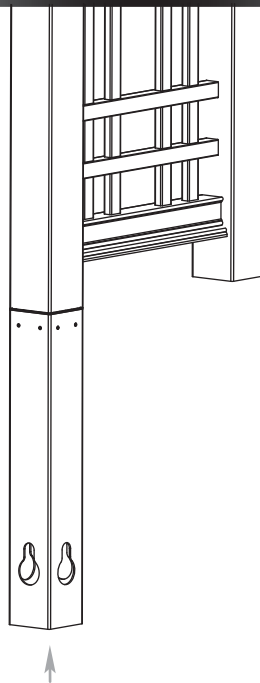


### STEP ONE



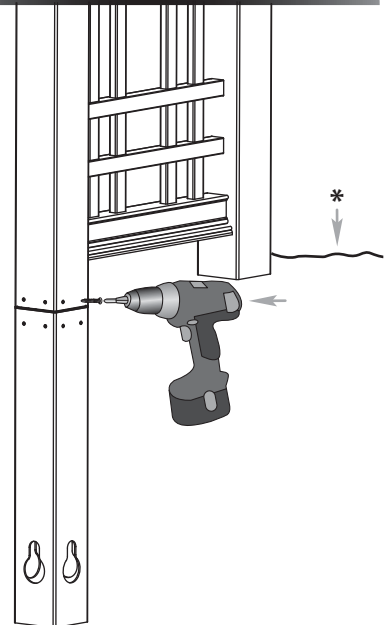
Glue all four sides of the joiner  
(60 second cure time).

### STEP TWO



Slide the joiner of the 5x5 extension  
into the arbor posts.

### STEP THREE



Screw all four sides of the arbor posts  
with 2 screws per side (repeat for all posts).

\*Once arbor installation is complete, the extension joint should be buried 1" to 3" (depending on the arbor it is being used with), below earth grade.