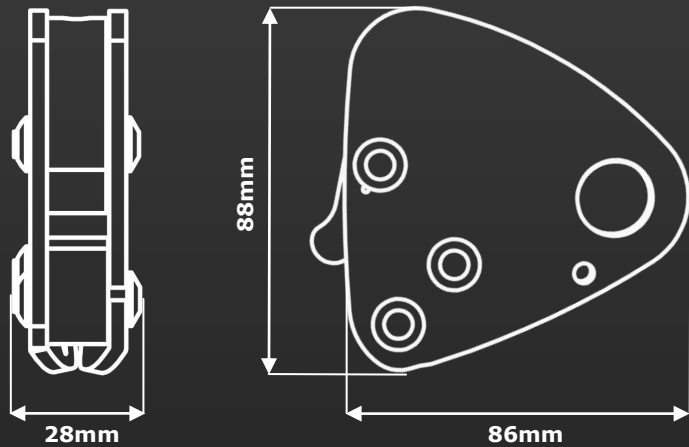


RP892 Red™ Back-up Device With Popper Tow Cord



The RED™'s non-aggressive cams have a positively locking spring which means the device is self-parking rather than self-tailing like many Ropegrabs. This is important for Rope Access work techniques as they require the back-up device to be positioned so as to reduce fall factors to a minimum.

The RED™ makes use of 'Rotational Braking' which means that the more the device rotates clockwise the more friction is built up and this provides an automatic brake even in the event of a sudden pull on the cows-tail.



Rated Capacity	240kg
Rope	10.5– 11mm
Body Material	Aluminium (Anodised)
Cam Material	Aluminium (Hard Anodised)
Quality	100% Inspected
Standards	CE EN 12841
Weight	202g



Popper™ Tow Cord Release Clip



The Popper™ is a 'breakaway' Clip, which provides a secondary attachment point for the tow cord. During normal positioning activity, this secondary attachment point allows the user to tow the device directly downwards, without unintentionally engaging the device's Rotational Braking System.



Swing-cheek
Easy attachment to Rope



Self-parking
The device moves only when towed



Device in locked position

However, when the cord is pulled in a panic situation, the Popper™ clip releases under the force and the cord then works in conjunction with the Rotational movement of the braking system.