

# HEAVY DUTY WIPER SYSTEMS

## Heavy Duty Motor



**NEW !!!**

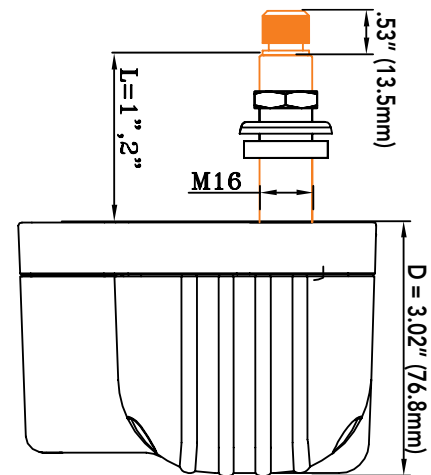
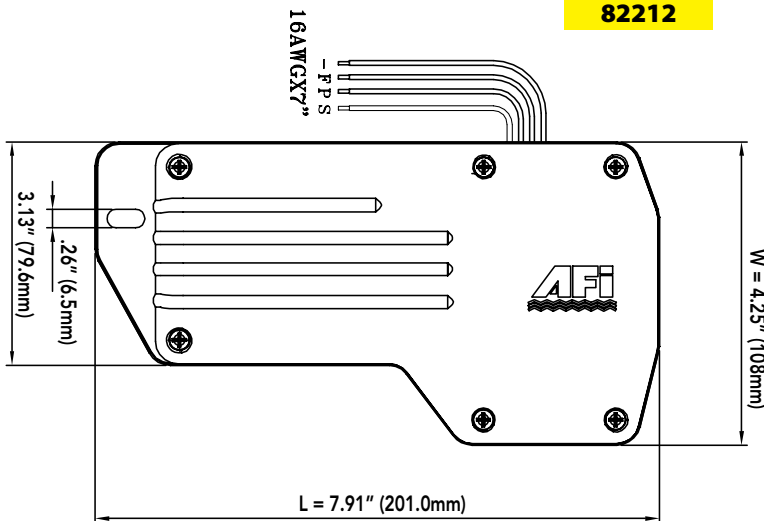


### AFI 2.5 Wiper Motor Waterproof Wiper Motor

- Fully sealed powder coated aluminum waterproof base and housing
- Powers a 26" Deluxe arm and Deluxe blade combination or a 24" Premier arm and Premier blade combination
- Available in two shaft lengths: 1" and 2" (knurled arm fitting adds 1/2" to overall length)
- Factory pre-set sweep angles of 80° or 110°, with easy adjustment to 45° or 60°
- Chrome plated solid brass knurled drive nut with brass and stainless steel drive shaft
- Two speed motor
- Sealed 6" wire leads, 16 AWG
- Adjustable right or left self parking
- 5/8" diameter shaft (16mm)
- Available in 12V and 24V models
- Coast to park
- RF shielded circuitry
- Includes 6 amp fuse and holder (operating switch not included)
- Measures approximately 7-7/8" L x 4-1/4" W x 3" D (see below for detailed dimensional drawings)
- Stall torque: 139 in - lbs (160 kgf/cm; 15.7 Nm)
- Stall current: 9.0 - 10.5 amps
- No load current: 1.0 -1.6 amps

	80° Sweep	110° Sweep
<b>1" Shaft Length</b>	82081	82011
	82181	82111
<b>2" Shaft Length</b>	82082	82012
	82182	82112
	82312	
	82212	

### 3 Year Warranty



**12V** Product numbers in the green box are packaged for retail.

**12V** Product numbers in the blue box are OEM products.

**24V** Product numbers in the red box are 24 VOLT packaged for retail.

**24V** Product numbers in the yellow box are 24 VOLT OEM products.

## Heavy Duty Motors

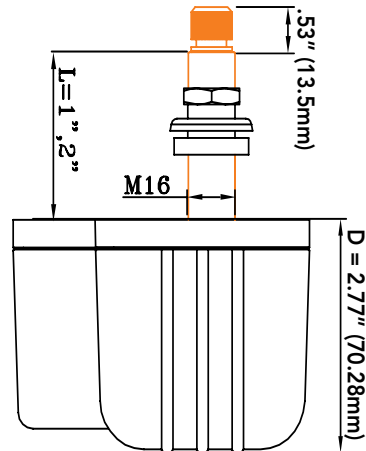
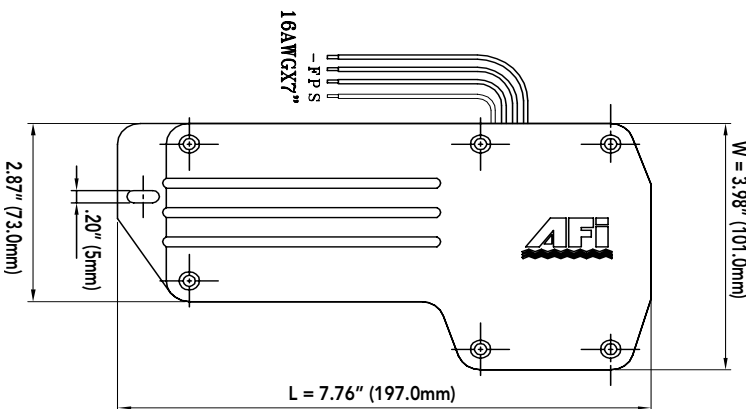


### AFI 1.5 Wiper Motor Waterproof Wiper Motor

- Fully sealed powder coated aluminum waterproof base and housing
- Powers a 22" Deluxe arm and 22" Deluxe blade combination or a 20" Premier arm and 20" Premier blade combination
- Available in two shaft lengths: 1" and 2" (knurled arm fitting adds 1/2" to overall length)
- Factory pre-set sweep angles of 80° or 110°, with easy adjustment to 45° or 60°
- Chrome plated solid brass knurled drive nut with brass and stainless steel drive shaft
- Two speed motor
- Sealed 6" wire leads, 16 AWG
- Adjustable right or left self parking
- 5/8" diameter shaft (16 mm)
- Available in 12V and 24V models
- Coast to park
- RF shielded circuitry
- Includes 5 amp fuse and holder (operating switch not included)
- Measures approximately 7-3/4" L x 4" W x 2-3/4" D (see below for detailed dimensional drawings)
- Stall torque: 109 in - lbs (125 kgf/cm; 12.3 Nm)
- Stall current: 11.5 - 13.0 amps
- No load current: 0.5 - 1.2 amps

	80° Sweep	110° Sweep
<b>1" Shaft Length</b>	71081	71011
	71181	71111
<b>2" Shaft Length</b>	71082	71012
	71182	71112
		71212
		71312

### 3 Year Warranty



**12V** Product numbers in the green box are packaged for retail.

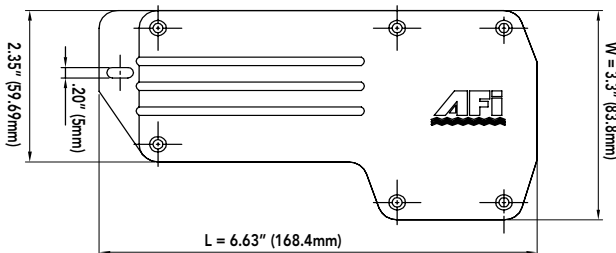
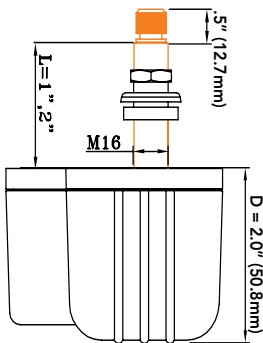
**12V** Product numbers in the blue box are OEM products.

**24V** Product numbers in the red box are 24 VOLT packaged for retail.

**24V** Product numbers in the yellow box are 24 VOLT OEM products.

# HEAVY DUTY WIPER SYSTEMS

## Heavy Duty Motors



### AFI-1000

#### Waterproof Wiper Motor

- Powers 18" Deluxe arm and 18" Deluxe blade combination at sweep sets of 80° or less
- Powers 16" Deluxe arm and 16" Deluxe blade combinations at a sweep set of 110°
- Factory pre-set sweep of 80° or 110° adjustable to 50°, 65°, 80°, or 110°
- 5/8" diameter shaft (16mm)
- Fully sealed waterproof housing made of UV stabilized, high-temperature, high-impact thermoplastic
- 12 volt heavy-duty motor with anti-rotation drive shaft
- Knurled drive shaft and solid brass arm drive nut
- Coast to park with adjustable right or left self parking
- Includes 5 amp fuse and holder (on/off switch not included)
- RF shielded circuitry
- Weight: 1.75 lbs
- Available in two shaft lengths: 1-1/2" and 2-1/2" (includes 1/2" length of knurled arm fitting)
- Measures approximately 6-5/8" L x 3-3/8"W x 2" D
- Stall torque: 55 in-lbs (63 kgf/cm; 6.2 Nm)
- Stall current: 9.8 - 10.0 amps
- No load current: 0.8-1.2 amps

### 3 Year Warranty

	80° Sweep	110° Sweep
<b>1-1/2" Shaft Length</b>	36180	36110
	36181	36111
<b>2-1/2" Shaft Length</b>	37180	37110
	37181	37111



#### Heavy Duty AFI-1000 Wiper Kit

	80° Sweep	110° Sweep
<b>2-1/2" Shaft Length</b> Windshield Frame Mount	37100	37200

Windshield Mount: 5/8" Shaft diameter  
 AFI-1000 Waterproof Wiper Motor with 14" Deluxe stainless steel blade (33105) and Deluxe adjustable (10" to 14") stainless steel arm (33007A)

HEAVY DUTY WIPER MOTORS

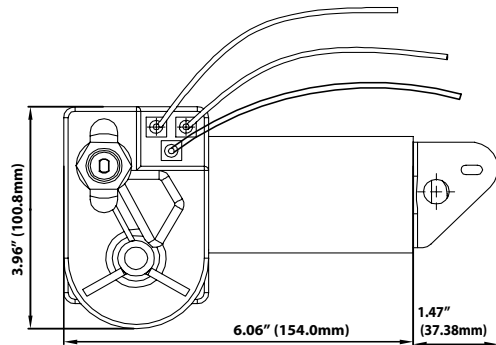
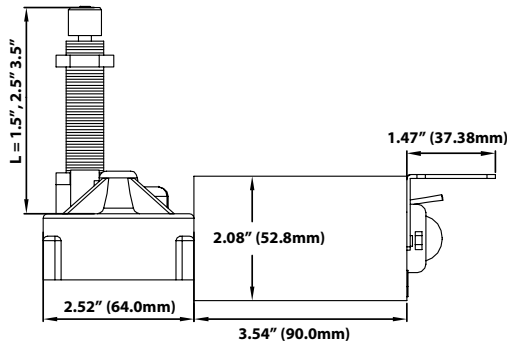
# HEAVY DUTY WIPER SYSTEMS

## Heavy Duty Motor



## MRV Wiper Motor

- Easily powers 22" x 22" deluxe arm/blade combinations, or a 20" x 20" premier arm/blade combination at sweep sets of 80° or less
- Factory pre-set sweep of 80° or 110° adjustable to 45°, 60°, 80° or 110°
- 5/8" diameter shaft (16mm)
- Available in 3 shaft lengths: 1-1/2", 2-1/2" and 3-1/2" (includes 1/2" length of knurled arm fitting)
- Corrosion-resistant casing
- Heavy-duty motor with right angle drive
- Two-speed motor, can be operated as one speed
- Solid brass knurled drive nut with brass and stainless steel drive shaft
- Adjustable right or left self parking, coast to park
- Includes 5 amp fuse and holder
- Stainless steel fasteners and mounting bracket
- Use with three-position switch (not included)
- Compact size - 7-5/8" L x 4" W x 2" D
- Stall torque: 109 in-lbs (125 kgf/cm: 12.3 Nm)
- Stall current: 11.5 - 13.0 amps
- No load current: 0.5 - 1.2 amps



## 3 Year Warranty

	80° Sweep	110° Sweep
<b>1-1/2" Shaft Length</b>	34001	34011
	38001	
<b>2-1/2" Shaft Length</b>	34000	34010
	38000	38010
		34210
<b>3-1/2" Shaft Length</b>	34005	34015
	38005	



**33025**

### MRV Wiper Motor Cover

**33125**

- Constructed of white ABS plastic
- Easily installed

**12V**

Product numbers in the green box are packaged for retail.

**12V**

Product numbers in the blue box are OEM products.

**24V**

Product numbers in the red box are 24 VOLT packaged for retail.

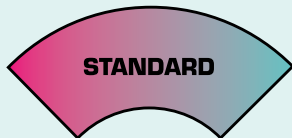
**24V**

Product numbers in the yellow box are 24 VOLT OEM products.

# HEAVY DUTY WIPER SYSTEMS

## AFI Premier Wiper Arms Feature:

- Stainless steel and heavy duty component design
- Features "Articulating/Bend-Back" design that locks arm in upright position for windshield cleaning
- Motor shaft mount with notched "teeth" and set screw for secure installation and operation
- Available in standard and pantographic styles with both versions offered in normal and wet arm configurations
- The strength to drive larger wiper blades



STANDARD



PANTOGRAPH

The dual arm set-up of a pantographic arm allows a flatter sweep pattern, which provides greater coverage in a side-to-side pattern

Riveted tip for extra strength



Adjustable length is secured with stainless steel screws



Chrome plated zinc die cast motor shaft mount



## Premier Wiper Arms



### Premier Stainless Steel Single Adjustable Arms

33082	33182	Adjusts 10" to 15"
33084	33184	Adjusts 15" to 20"
33086	33186	Adjusts 20" to 25"

Product numbers in the blue box are OEM products.

Product numbers in the green box are packaged for retail.

# HEAVY DUTY WIPER SYSTEMS

## Premier Pantographic Arms



### Premier Stainless Steel Pantographic Adjustable Arms

**33090**   **33190**   Adjusts 12" to 17"

**33092**   **33192**   Adjusts 17" to 22"

**33094**   **33194**   Adjusts 22" to 26"

*Pantographic wiper arms will ONLY function properly with wiper motor sweep angles 80° or less*

## Premier Wiper Wet Arms



AFI Premier wiper wet arms combine the heavy-duty construction and materials of the Premier wiper arm line with a built-in wet arm system that allows for a clean and easy installation of a washer system. A simple and easy way to keep your windshield clean, the Premier wet arms feature a black PVC hose that runs up the center of the arm and ends in a four-nozzle fixture that is an integral part of the wiper arm itself. Each solid brass nozzle is adjustable to provide a maximum coverage spray pattern for most any windshield. Premier wet arms can tie into an existing pressurized water system, or can be used with the new Below Deck Washer Kit as shown on page 19.

### Premier Single Wet Arms

**33082W**   **33182W**   Adjusts 10" to 15"

**33084W**   **33184W**   Adjusts 15" to 20"

**33086W**   **33186W**   Adjusts 20" to 25"

### Premier Pantographic Wet Arms

**33090W**   **33190W**   Adjusts 12" to 17"

**33092W**   **33192W**   Adjusts 17" to 22"

**33094W**   **33194W**   Adjusts 22" to 26"

Product numbers in the blue box are OEM products.

Product numbers in the green box are packaged for retail.

# HEAVY DUTY WIPER SYSTEMS

## Deluxe Adjustable Wiper Arm



- All arms are stainless steel
- Arm has "articulating/bend-back" feature
- Motor shaft mounting has additional set screw clamping

### Deluxe Stainless Steel Adjustable Arm

33006A	33106A	Adjusts 6-3/4" to 10-1/2"
33007A	33107A	Adjusts 10" to 14"
33010A	33110A	Adjusts 14" to 20"
33060A	33160A	Adjusts 20" to 26"

### Deluxe Black Adjustable Arm

33012A	33112A	Adjusts 10" to 14"
33014A	33114A	Adjusts 14" to 20"
33070A	33170A	Adjusts 18" to 24"
33061A	33161A	Adjusts 20" to 26"

## Deluxe Pantographic Arms



### Deluxe Adjustable Pantographic Arm

33032A	33132A	Adjusts 12" to 17"
33037A	33137A	Adjusts 17" to 22"
33062A	33162A	Adjusts 22" to 26"



**30020** Base Mounting Gasket for Pantographic Arms

- For Use with AFI 2.5, 1.5 and MRV Motors
- Stainless steel
- Arm has "articulating/bend-back" feature
- Motor shaft mounting has additional set screw clamping

*Pantographic wiper arms will ONLY function properly with wiper motor sweep angles 80° or less*

Product numbers in the blue box are OEM products.

Product numbers in the green box are packaged for retail.

# HEAVY DUTY WIPER SYSTEMS

## Premier Stainless Steel Wiper Blades

- All Stainless Steel Construction
- Marine Grade Silicone Squeegee
- Extra squeegee "claws" spread-pressure evenly over the length of the blade, allowing the blade to conform more easily to a curved windshield.



### Stainless Steel Premier Blades

33021S	33121S	20" Blade
33022S	33122S	22" Blade
33024S	33124S	24" Blade

### Black Premier Blades

33021B	33121B	20" Blade
33022B	33122B	22" Blade
33024B	33124B	24" Blade

## Deluxe Stainless Steel Curved Wiper Blades



33004	33104	11-1/2" Blade
33005	33105	14" Blade
33015	33115	16" Blade

- Works well on curved or flat windshields

33016	33116	18" Blade
33017	33117	20" Blade
33022	33122	22" Blade
33023	33123	24" Blade
33024	33124	26" Blade

Product numbers in the blue box are OEM products.

Product numbers in the green box are packaged for retail.



