

THANK YOU

for purchasing your Soapbox.

→ LET'S DO THIS!

1. UNPACK!

Before you begin assembly, check all pieces from the shipping carton against the enclosed packing slip. Every Soapbox is a custom configuration, so make sure you received exactly what you ordered.

Double hook shelves should include 1 shelf and 1, 2 or 3 pieces of hardware



2. Pick your spot and mark your wall. For best results use a pencil and a level.

→ see the recommended hardware spacing diagram (a) below and mark the holes accordingly

3. Secure hardware to wall with the appropriate fasteners found at your local hardware store. We suggest flat head screws.

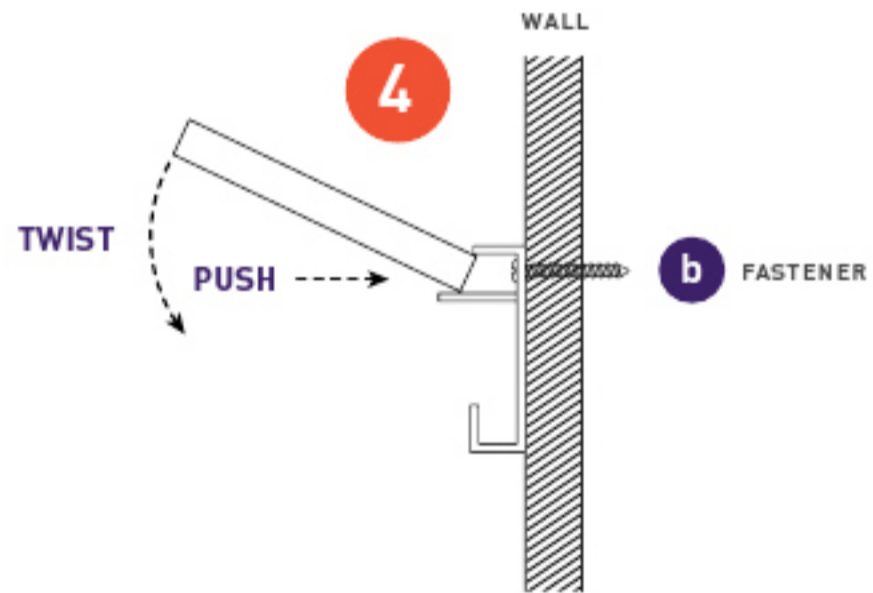
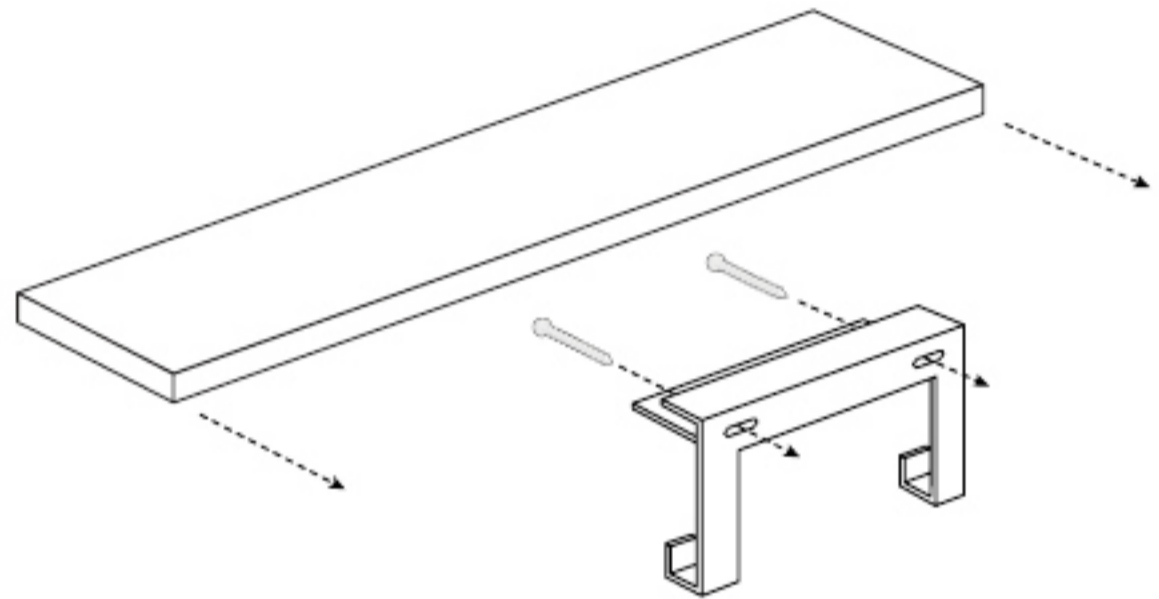
→ provide blocking find a stud or appropriate fastener (b) (not included)

4. Once hardware is mounted, see → 4 pop shelf into place.

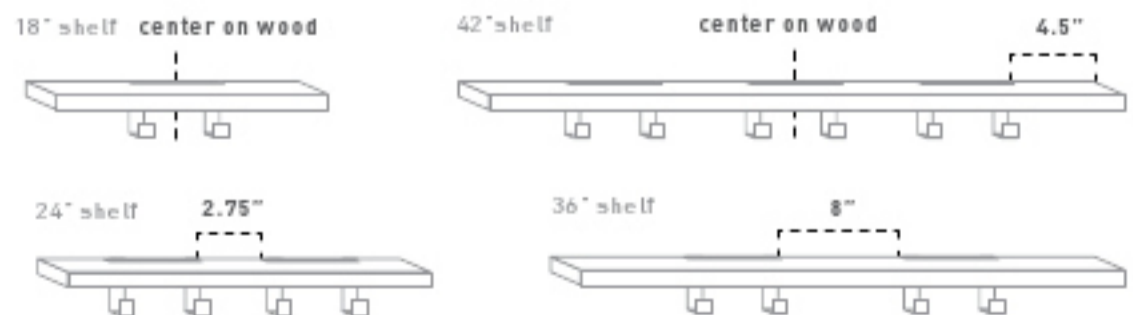
5. HUZAH! You're ready to rock!

→ We're here for you: **(732) 749-0843**

TOOLS YOU'LL NEED



a RECOMMENDED HARDWARE SPACING



SOAPBOX™

Our mission is simple. We make things of integrity that are versatile and easy to live with. What's your mission?



STEP UP
www.soapboxhome.com