

THANK YOU
for purchasing your Soapbox.

→ **LET'S DO THIS!**

1. UNPACK!

Before you begin assembly, check all pieces from the shipping carton against the enclosed packing slip. Every Soapbox is a custom configuration, so make sure you received exactly what you ordered.

Tables should include:

1 wood panel and 4 pieces of hardware

[1]
wood
panel



[4]
pieces of
hardware



→ To protect your shiny new Soapbox - and your floors - we suggest assembling on top of the flattened cardboard your Soapbox arrived in (and please remember to recycle the carton when you're through!).

2. Start with wood panel standing up on the long edge with the bottom of panel facing you. **see → 2**

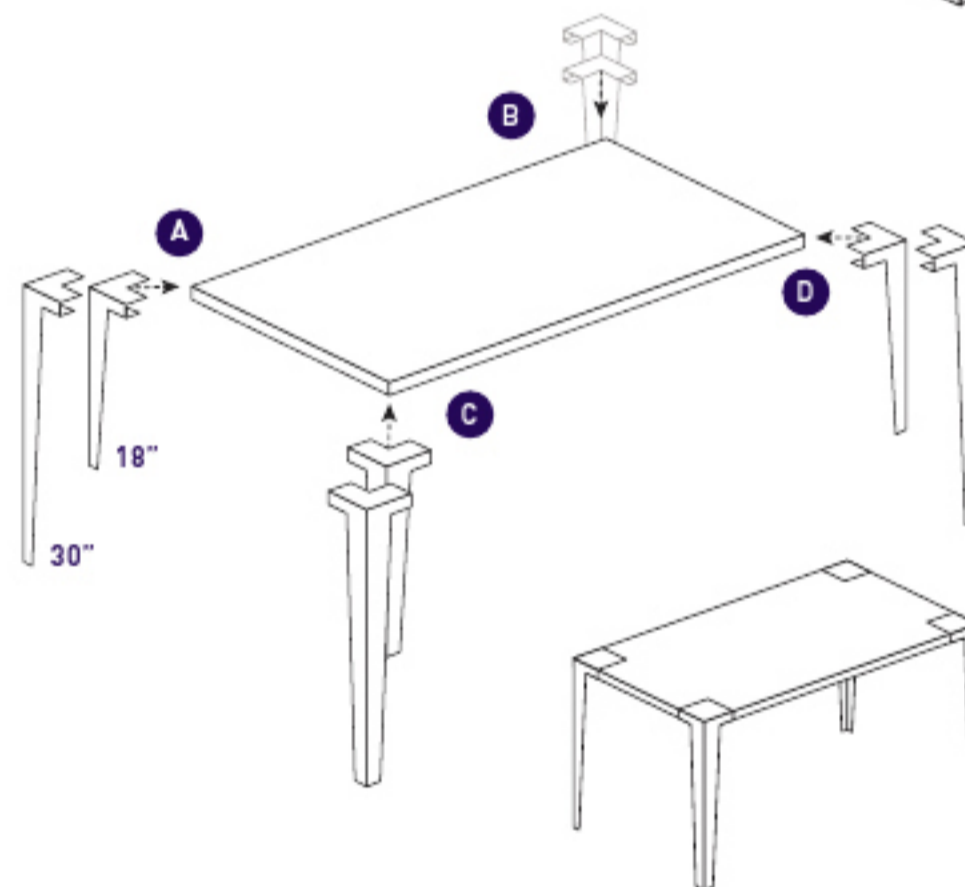
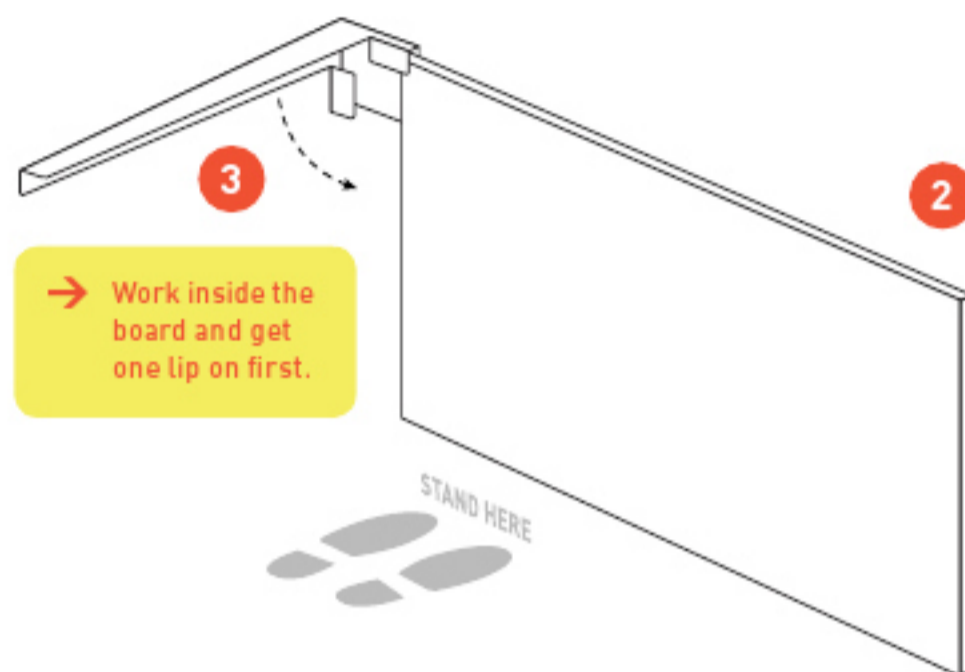
→ This is a good chance to determine which side of the panel you prefer to face upward.

3. Beginning with corner **A**, slightly pry one lip of leg onto the panel, and then the next. **see → 3**
(Do not attempt to push the leg on at 90 degrees)
After both lips are on the panel, begin to work the leg onto the corner.

→ Our real wood veneers vary ever so slightly in thickness, making some corners tighter than others - a dish towel and a few taps with a rubber mallet may be needed to produce a snug fit. Be gentle!

4. Repeat the other 3 legs in order: **B C D**

ANATOMY OF A SOAPBOX TABLE



5. All hardware in place, turn your Soapbox table upright...
HUZAH! You're ready to rock!

→ We're here for you: (732) 749-0843

SOAPBOX™

Our mission is simple. We make things of integrity that are versatile and easy to live with. What's your mission?



STEP UP
www.soapboxhome.com