



## Your Vision Our Containers

Commercial-grade custom planters  
that meet your project needs.

puremodern

Contact us:  800-563-0593





# Your Vision. Our Containers.

To realize the vision of a commercial or residential project — no matter how big or small — products need to meet three important criteria: deliver on the intent of the design, be on budget, and on time.

PureModern will translate your vision into reality using our no-fuss, seamless **Four-Step Project Process**. We guarantee our products and services with our **Done-Right Guarantee**.

# Your Trust. Our Motivation.

We value our client relationship and strive to create a long-lasting partnership with you. We will do what it takes to meet your specific needs.

For modern, commercial-grade planters, PureModern is the right choice. Our products are designed with commercial use in mind, using only the highest quality materials, so you can rest assured knowing that you are getting the best of the best.



# Featured Projects

At PureModern, we know our job isn't finished until our customers are completely satisfied. From inception to completion, our customers can attest to our passion for working collaboratively with them to help ensure their project is a success.



**Scan Design**  
Altamonte Springs, FL



**Kivvit**  
Chicago, IL



**Rockefeller Center**  
New York, NY



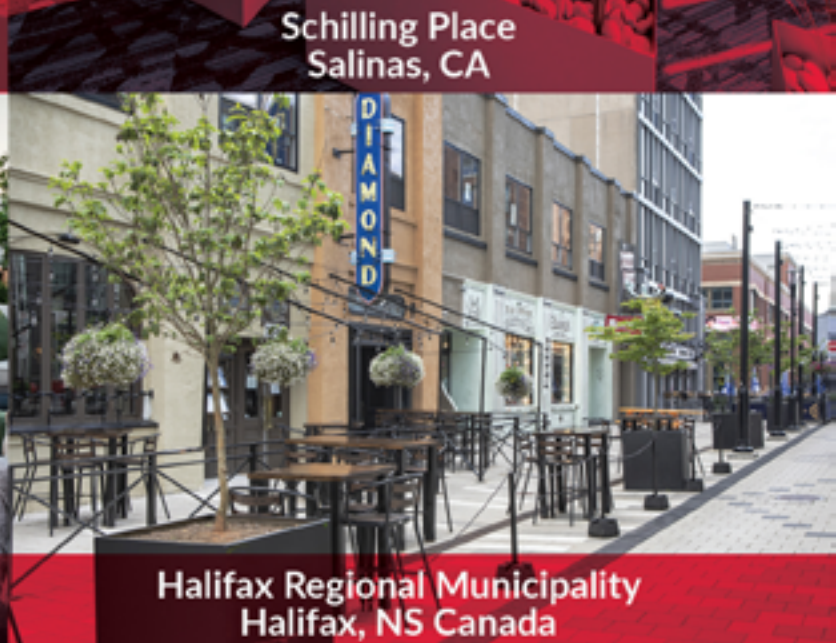
**Roosevelt Parc**  
Jackson Heights, NY



**Schilling Place**  
Salinas, CA



**Garden City Rooftop Bar**  
Shaker Heights, OH



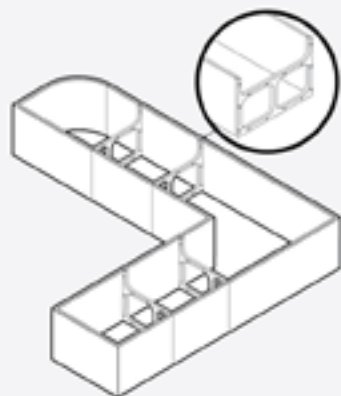
**Halifax Regional Municipality**  
Halifax, NS Canada



# Commercial Metal Planters

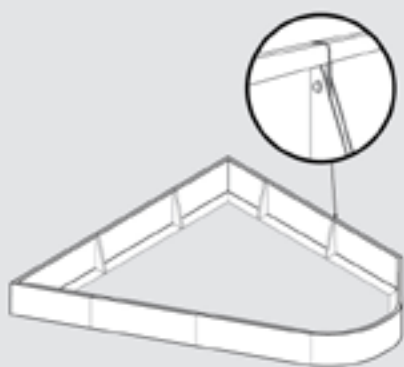
## CONNECT MODULAR PLANTER SYSTEM

The Connect Modular Planter System is a superior planter solution when a well-designed space requires a large, custom planter system to house greenery. There are four distinct ways to connect planters, all of which facilitate gorgeous design solutions for a residential or commercial project.



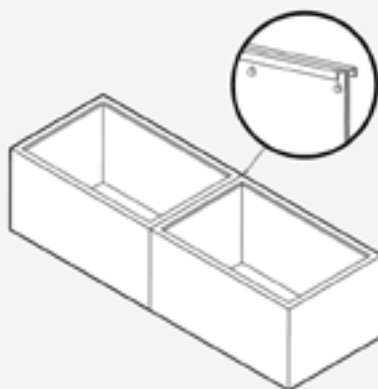
### OPEN-TROUGH MODULAR PLANTERS

Open-Trough Modular Planters involve a continuous channel of large planters with tight vertical joints and a minimal number of interior walls.



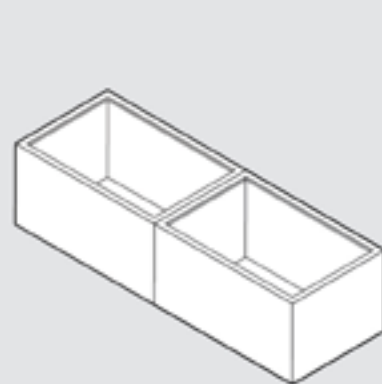
### BOTTOMLESS RETAINING EDGING MODULAR PLANTERS

These modular planters are created with planter walls but are manufactured without a bottom and are a permanent installation.



### BOLTED BUTT-JOINED PLANTERS

Bolted Butt-Joined Modular Planters are individual planters that are bolted together to create a tightly-aligned vertical joint, which can be removed for future maintenance access.



### NON-BOLTED BUTT-JOINED PLANTERS

For less permanent applications where planters don't need to be bolted together.



## MODERN ELITE METAL PLANTERS

**CUSTOMIZABLE COMMERCIAL-GRADE QUALITY:** Every Modern Elite Planter is fabricated using 5052 marine grade heavy-gauge corrosive-resistant aluminum or COR-TEN weathering steel, depending on your application needs. The PureModern team can help you select the appropriate metal gauge for your project.

The marine-grade aluminum planters are powder coated with TIGER Drylac powder coating — the same coating used on ships, military equipment, and communication towers — making these planters a permanent solution for your space.

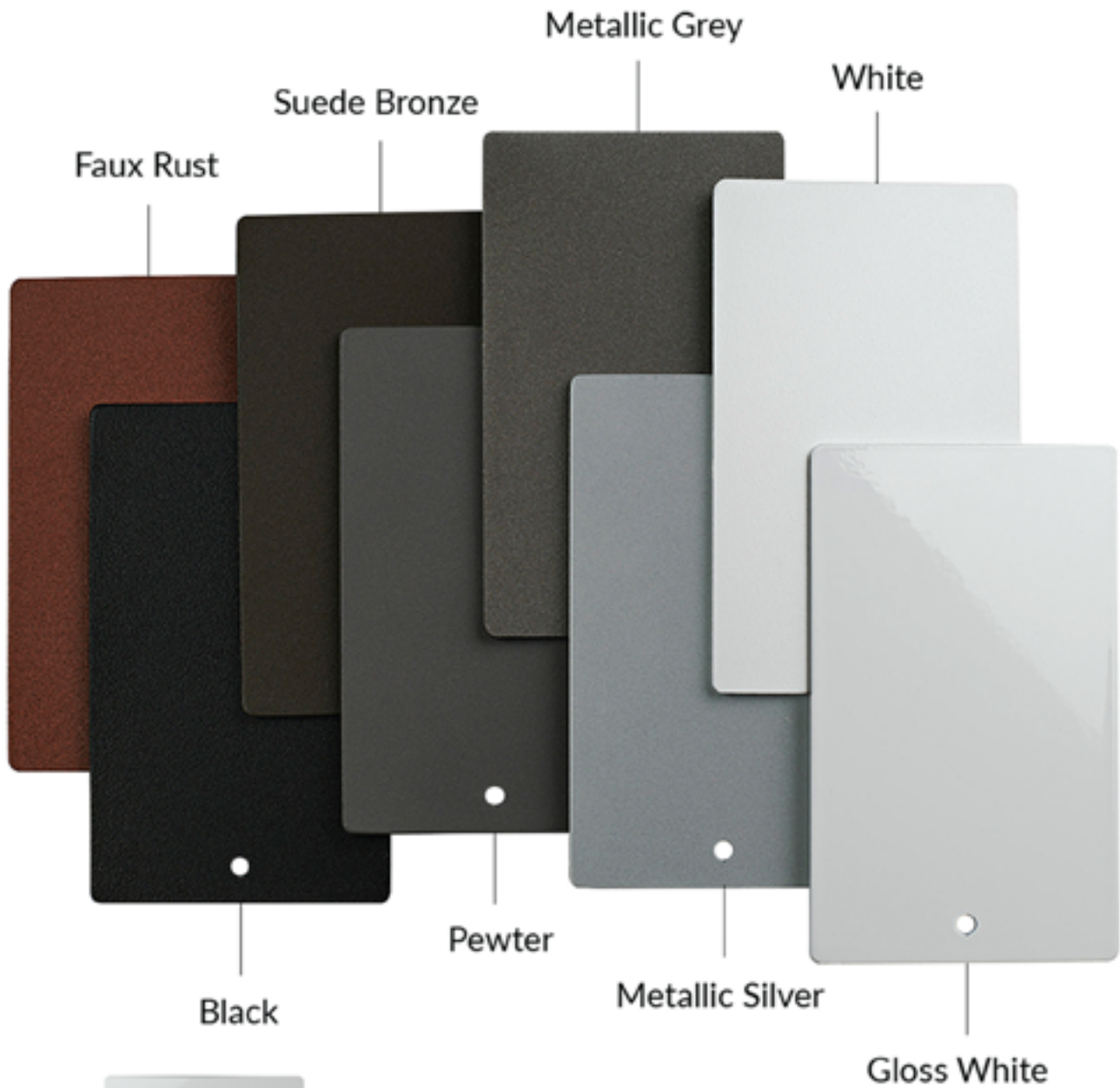
COR-TEN arrives in a raw state and will patina over time. These durable planters are extremely low maintenance. And because they're built using a naturally-oxidized steel alloy, they stand up to the harshest conditions, making them perfect for most outdoor projects.

## LITE ALUMINUM PLANTERS

**AFFORDABLE PRICE WITH QUALITY CONSTRUCTION:** LITE Planters are comparable in price with most commercial fiberglass planters and deliver durability and longevity in any environment. Made of lighter-gauge marine-grade aluminum, the planter is easy on your budget, but tough when it comes to durability.



## PERSONALIZED COLOR



## CUSTOM COLORS AVAILABLE

### CHOOSE FROM 8 COLOR OPTIONS TO PERSONALIZE YOUR METAL PLANTER ORDER:

Black, Pewter, Suede Bronze, Metallic Silver, Gloss White, Metallic Grey, White, and Faux Rust

- ✓ Architectural grade and powder coated inside and out
- ✓ 0.063" - 0.250" aluminum marine grade alloy
- ✓ Fully welded construction on all seams
- ✓ Pre-cut drain holes
- ✓ Interior and exterior applications
- ✓ Custom colors available



# Commercial Fiberglass Planters

## PUREPOTS FIBERGLASS PLANTERS

**COMMERCIAL-GRADE QUALITY:** PurePots Planters and pots are handcrafted with high-quality fiberglass resin.

**UV, CORROSION, AND FROST-RESISTANT:** Fiberglass resin pots and planters are resistant to corrosion due to their structural integrity. They are painted with industrial-grade paint, which features specialized resins, pigments, and additives for enhanced coating performance to minimize UV damage.

**SLEEK MODERN DESIGN WITH CLEAN LINES:** Every PurePots Planter is handcrafted according to strict quality guidelines, creating a clean and sleek modern design. The planters have a smooth, glass-like finish.

**USE INDOORS OR OUTDOORS:** PurePots Planters can be ordered with or without drainage holes for interior or exterior applications.

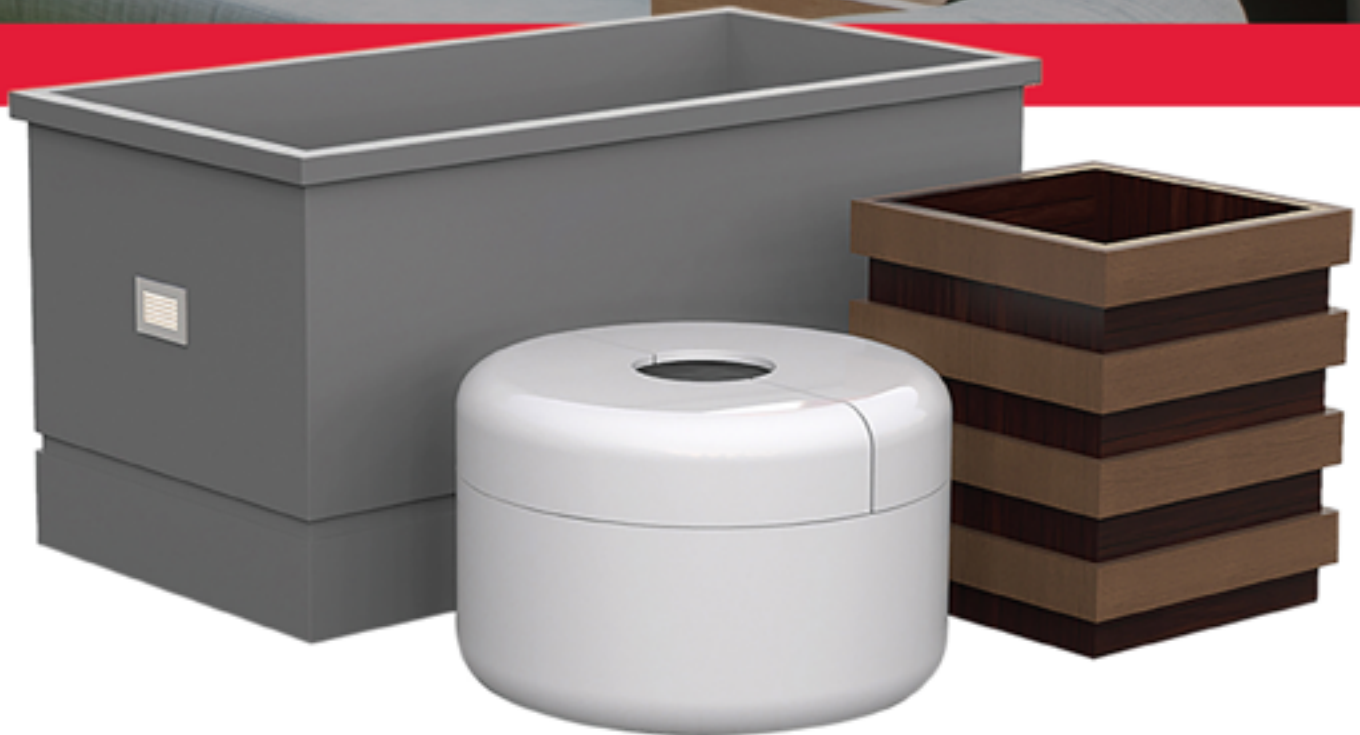


**PERSONALIZED COLOR:** Choose from 10 standard color options to personalize your pots and planters order or select a custom color of your choice.

**CUSTOM COLORS AVAILABLE**



# Custom Planters Made to Your Specifications



## YOU DESIGN IT. WE WILL FAB IT.

There is no one-size-fits-all formula for creating the perfect space. With our completely customizable planters, we'll craft a solution that's tailored to your needs.

## SELF-WATERING ACCESSORIES







Ovation Hollywood - Los Angeles, CA



Towers at Emeryville - Emeryville, CA

puremodern

Contact us:

📞 800-563-0593

🌐 [www.puremodern.com](http://www.puremodern.com)

📍 918 S. Monroe St. Suite B  
Spokane, WA 99204