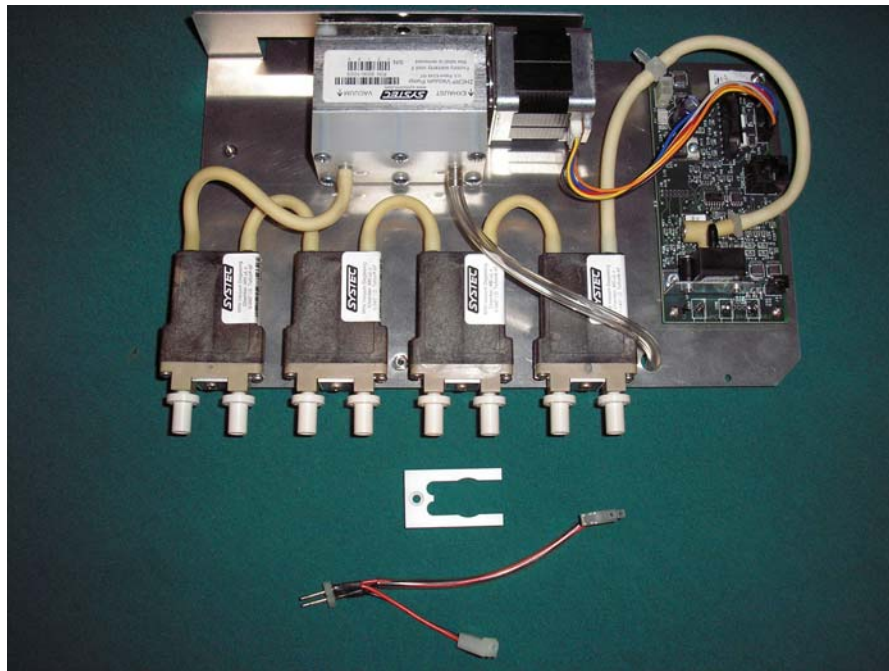


# Installation Instructions

**Part Number: 0001-1019**  
**1100 Degasser Retrofit Kit.**



Innovations United  
300 East 57th Street  
Suite 11J  
New York, NY 10022  
Tel: 646-872-1539  
Fax: 484-313-6368  
Email: [info@innovationsunited.com](mailto:info@innovationsunited.com)  
Web: [www.innovationsunited.com](http://www.innovationsunited.com)

# Table of Contents:

Introduction .....	1
Getting Started .....	1
Safety Warnings .....	1
Removing Original Components .....	2
Installing Biotech Kit Components .....	3
Finish .....	4
Technical Support .....	4
Appendix A .....	5

## Introduction:

This manual covers the Installation of the Biotech Degasser Retrofit Kit for the Model 1100 Degasser. This kit is a drop in replacement for the original 1100 internal components that is based on Teflon® AF membrane technology and closed loop vacuum control. The original power supply, control board and pressure sensor are retained so that communication with the instrument stack and software is maintained. **The following procedures should only be performed by a qualified technician.**

## Getting Started:

### Kit Components:

- Qty 1: PN 9000-0002, Degassing Tray Assy.
- Qty 1: PN 9000-0001, Power Cable Assy.
- Qty 1: PN 8000-0032, Sensor Mounting Bracket.

### Equipment Required:

- Model 1100 User Manual, for cover removal and reinstallation instructions.
- # 1 Phillips Screwdriver.

## Safety Warnings:



### Warning:

The original vacuum chamber membranes should be flushed to remove any potentially hazardous solvents that may be remaining. Protective gloves and face protection should be worn and the operation performed in a properly ventilated area. Consult your company's Safety Director for more information.

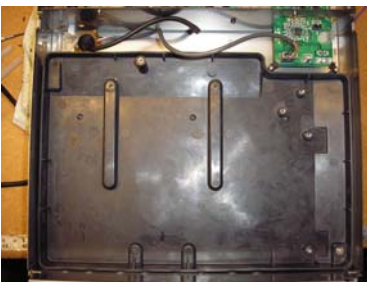
**Make sure that the power cord is unplugged from the unit before proceeding!**

## Removing Original Components:

- 1: Remove the outer cover and top plate, refer to the 1100 Operators Manual. (See Appendix A for these instructions if the manual is not available.)
- 2: Disconnect the tube running from the sensor from the chamber port, leaving the tube connected to the port on the sensor. Remove the screw holding the small bracket holding the sensor PC board from the post on the drip tray and set the sensor assy behind the drip tray. You do not need to disconnect the cable from the Control Board.



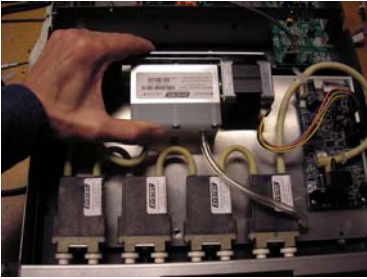
- 3: Remove the screws holding the Vacuum Chamber, Vacuum Pump, and the Vacuum Valve. Disconnect the cables for the pump and valve from the control board. These items can be discarded but retain the screws that were securing these for future use (Qty 2: M3 x 6 and Qty 2: M3 x 16 will be needed).
- 4: Loosen the two screws securing the cover over the power supply and control board a few turns and remove this cover.



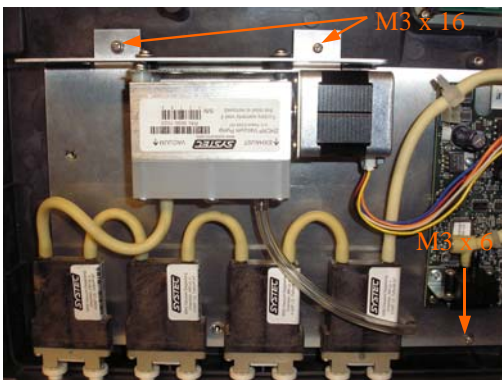
Unit after original components removed.

## Installing Biotech Kit Components :

- 1: Install the new Degasser Tray assy., slide the bulkheads through the openings in the front panel and set in position.



- 2: Secure the new tray using 1 M3 x 6 and 2: M3 x 16 screws saved earlier.

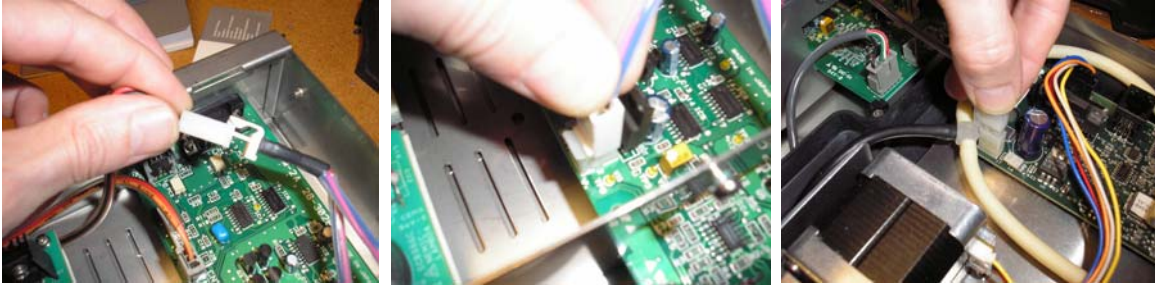


- 3: Slide the original sensor PC board assy., into the sensor mounting bracket, as shown with the mounting hole relief facing up and the solder side of the sensor board facing up, until sensor locks in place. Note: when sliding the assembly in place be careful to support the sensor by holding the sensor with your index finger on one side with your thumb on the backside of the board to prevent breaking the bond between the sensor and PC board.
- 4: Secure the Sensor Bracket to the post on the drip tray that it was removed from earlier using an M3 x 6 screw saved earlier.
- 5: Connect the tube from the sensor to the TEE on the Degasser Tray Assy.



## Installing Biotech Kit Components Cont:

- 6: Disconnect the power cable from the original control board.
- 7: Connect this cable to the supplied cable as shown.
- 8: Connect the other ends of the supplied cable to the original control board and control board on the new Degasser Tray as shown.



## Finish:

The figure below is a representation of how the unit should look when the Install is complete.



Re-install all of the covers that were removed at the beginning of this instruction, again refer to the 1100 Users Manual (or Appendix A).

## Technical Support:

### Europe:

Biotech AB (Sweden)

Phone: +46 (0)300-56 91 80      E-Mail: [info@biotech.se](mailto:info@biotech.se)

### North America:

Innovations United

Phone: 646-872-1539      E-Mail: [info@innovationsunited.com](mailto:info@innovationsunited.com)

# **Appendix A**

This Page Intentionally Left Blank

## Removing and Refitting the Top Cover

**Tools required**

- Screwdriver Pozidriv #1

**Preparations**

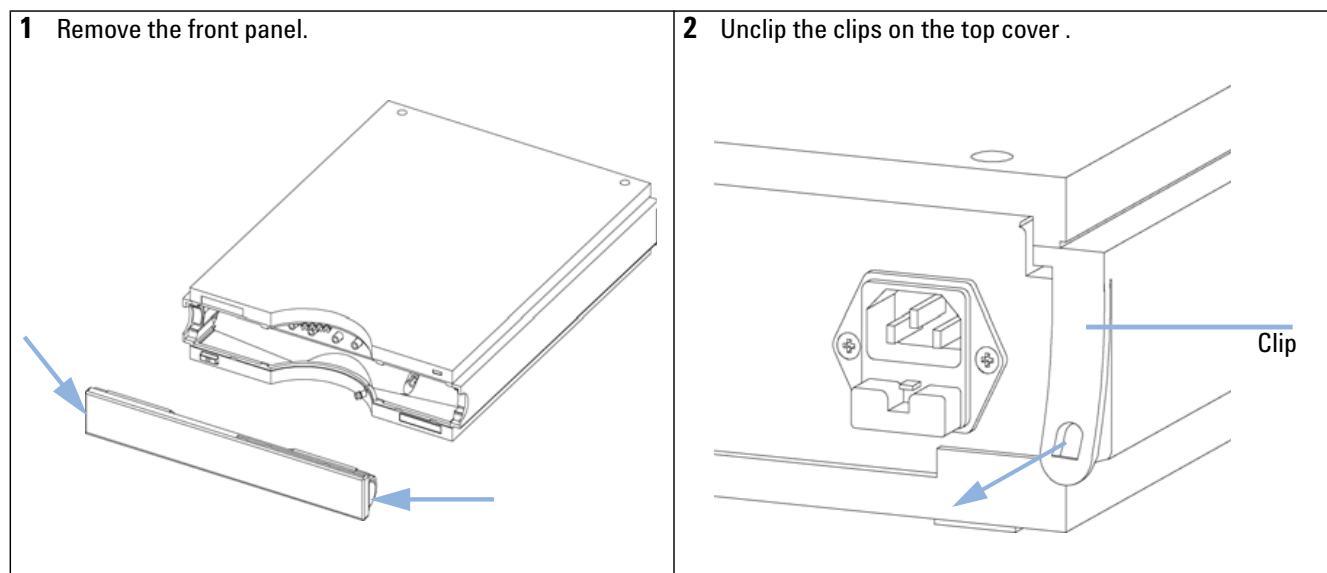
- Switch OFF the vacuum degasser at the main power switch
- Disconnect the power cable and remote cable
- Disconnect all solvent tubes from the ports of the vacuum degasser
- Remove solvent cabinet from the vacuum degasser
- Remove vacuum degasser from the stack.

### **WARNING**

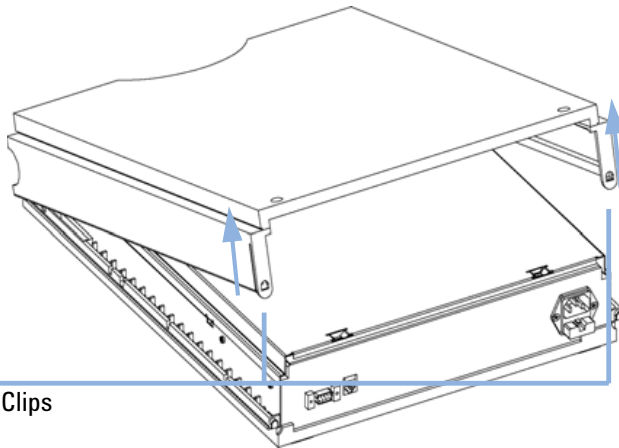
#### ***Toxic and hazardous solvents***

**The handling of solvents and reagents can hold health risks.**

- When opening capillary or tube fittings solvents may leak out.
- Please observe appropriate safety procedures (for example, goggles, safety gloves and protective clothing) as described in the material handling and safety data sheet supplied by the solvent vendor, especially when toxic or hazardous solvents are used.

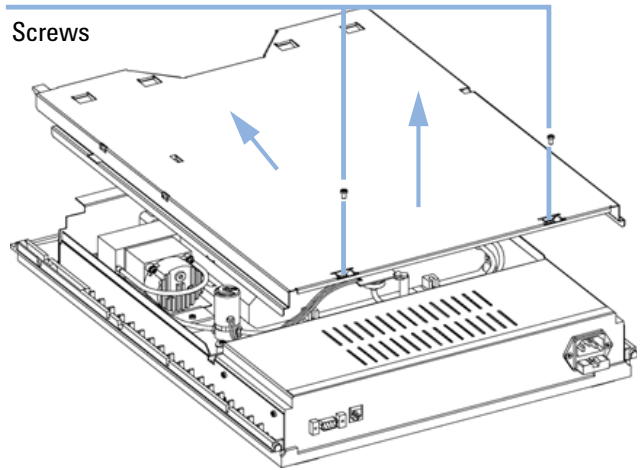


**3** Lift the cover away.



Clips

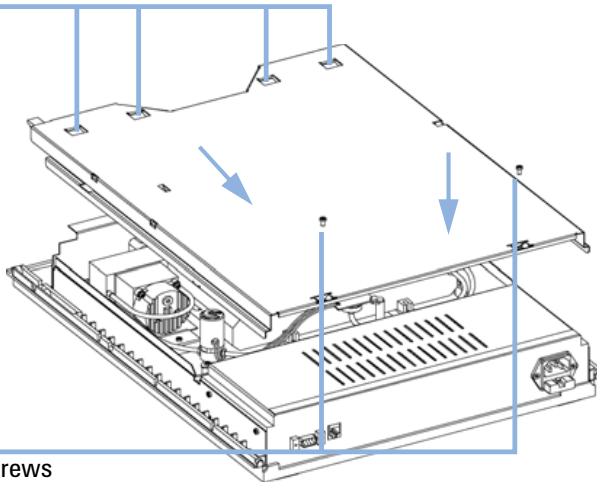
**4** Unscrew the screws on the top plate and remove the plate by lifting its back and then sliding the plate to the front.



Screws

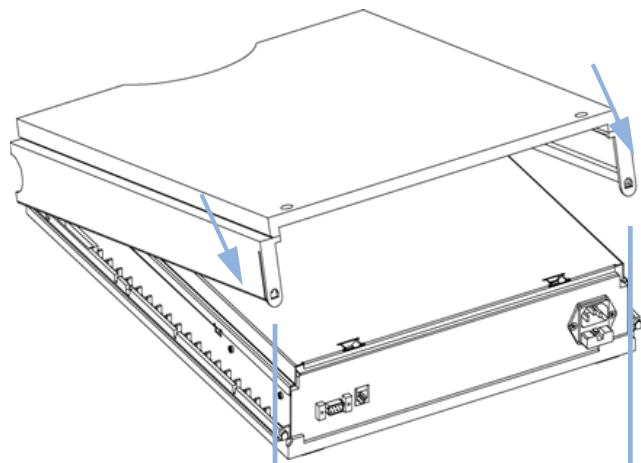
**5** Place the metal cover onto the housing. Lower the front of the plate first, then slide panel to the back. Assure the four metal tabs of the panel slide underneath the Z-plane. Fix the two holding screws.

Metal Tabs



Screws

**6** Replace the top cover. Ensure the clips are seated correctly.



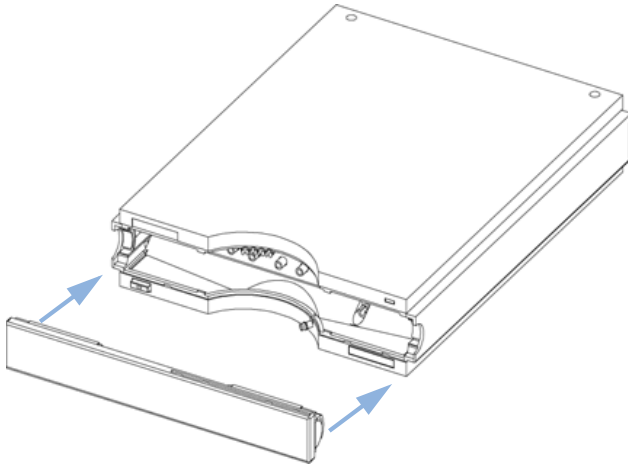
Clips



## 6 Maintenance

### Introduction to Maintenance and Repair

**7** Reinstall the front cover.



**8** Reinstall the vacuum degasser in your system stack and connect the cables and capillaries and turn on the vacuum degasser.