

lilitab **Tabletop**

Packing List and Assembly Instructions

v.1.1



TABLE OF CONTENTS

LILITAB TABLETOP PACKAGING AND ASSEMBLY INSTRUCTIONS

lilitab Tabletop Assembly Preparation	3
lilitab Tabletop Features	4
lilitab Tabletop Exploded View	5
lilitab Tabletop Assembly Instructions	6

OPTIONAL ADD-ONS

Keyboard Mount Installation	9
-----------------------------------	---

ASSEMBLY PREPARATION

TO ASSEMBLE YOUR LILITAB YOU WILL NEED:

- ✓ Philips screwdriver
- ✓ Apple iPad power adapter that came with your iPad.
- ✓ Apple Power Extension Cord specific to your country. For U.S. (and compatible) customers this part can be purchased directly from us in the accessory section of our catalog. Non-U.S. power cords can be purchased on e-bay (search for “Apple Power Extension Cord”). Alternately if you buy an iPad power adapter from Apple SEPARATELY from your iPad one is included.

TO SECURE YOUR LILITAB YOU WILL NEED ONE OF THE FOLLOWING:

- ✓ Kensington compatible cable lock
- ✓ 3/8” cable lock such as Masterlock 8413KA
- ✓ Pad-lock (10mm or smaller shaft) with chain

TO BOLT YOUR LILITAB TO THE TABLE YOU WILL NEED:

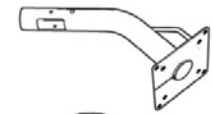
- ✓ Powered drill/driver, preferably with impact action
- ✓ Socket wrench with a neck of at least 5” (this may require a socket extension)
- ✓ 2 x bolts, wood screws or other fastener suitable for your table’s substrate (m6, no.14 or 1/4” diameter)

PACKING LIST

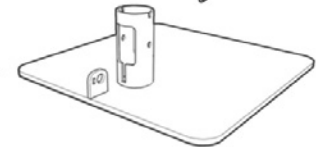
1 x head unit & faceplate



1 x pole mount



1 x base plate



2 x foot covers



2 x foot cover security screws



2 x pole mount screws



4 x head unit mount screws



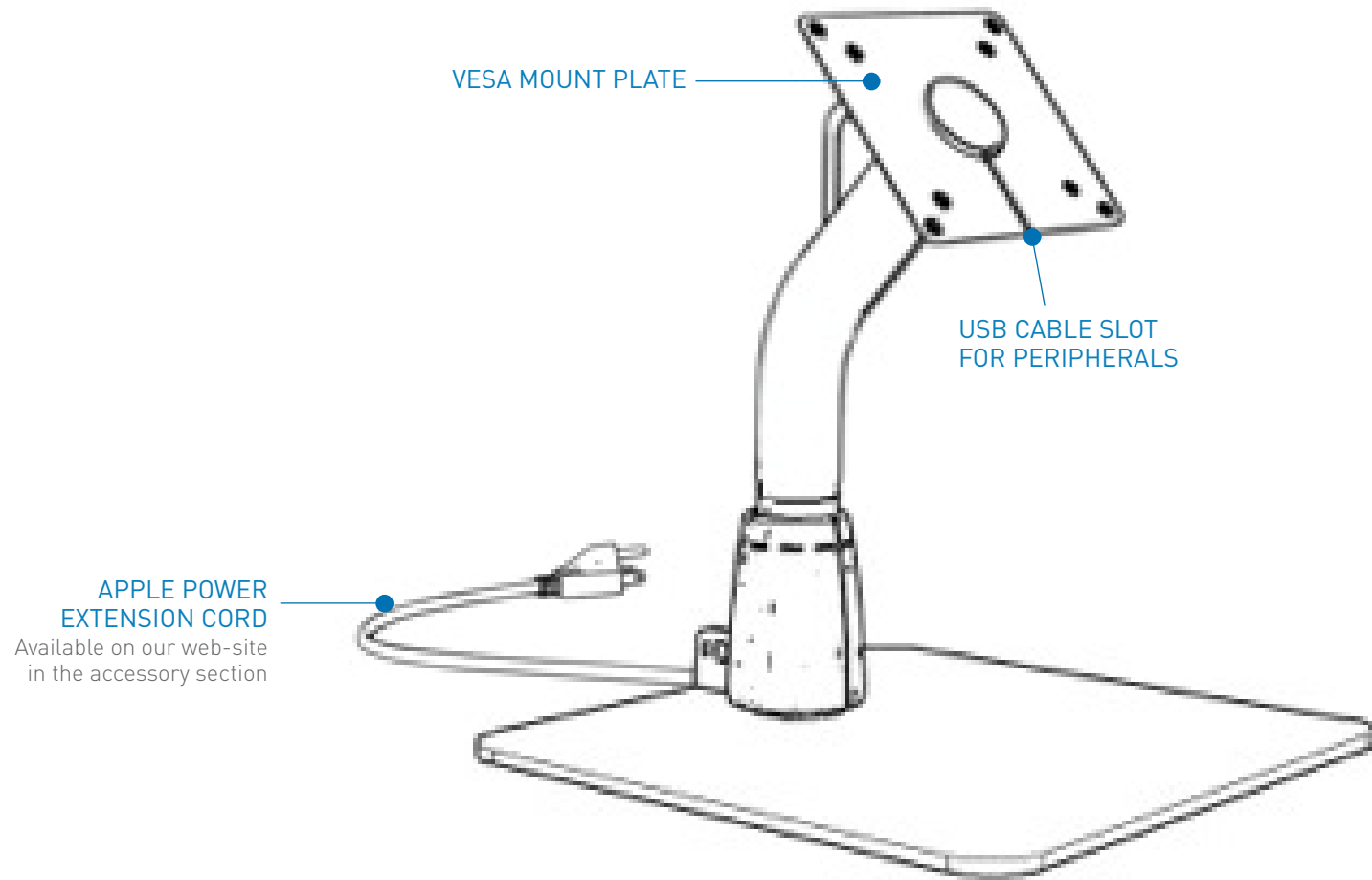
4 x faceplate security screws



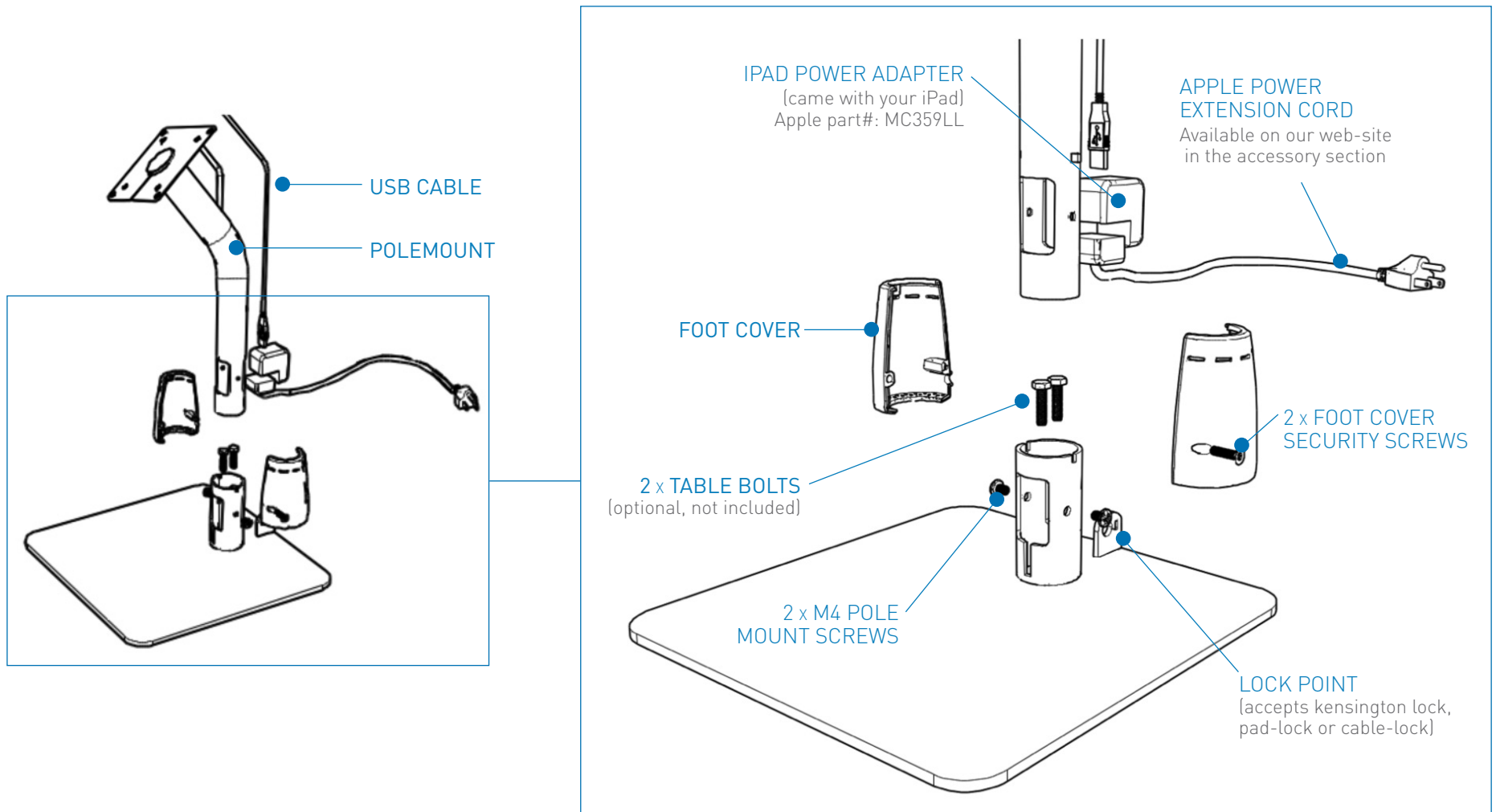
1 x security L key



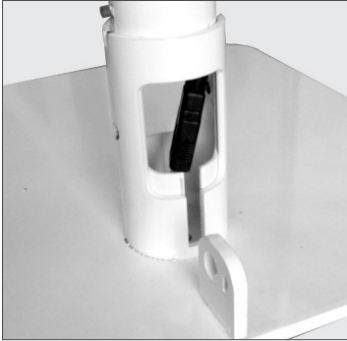
FEATURES



EXPLODED VIEW



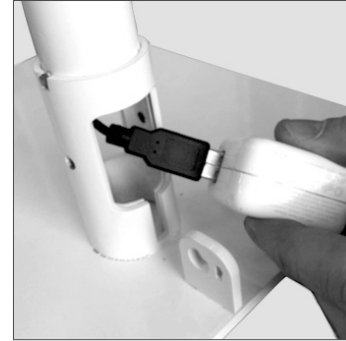
ASSEMBLY INSTRUCTIONS



- 1. Slide pole mount into base plate** as shown, ensuring that the tabs on the pole align with the openings on the base plate.

NOTE 1: if you are bolting the base plate to the table you should do this **BEFORE** you attach the pole mount to the base plate.

NOTE 2: The default position for the pole mount is hanging over the foot plate. This achieves optimal balance. However you can reverse the direction so that it hangs over the table instead. This may be preferable in a situation where you wish to position the base plate under a heavy object, such as a car wheel.



- 4. Connect usb cable to iPad** power adapter.



- 2. Attach lilitab head unit** to the mount plate at the top of the pole mount with the four(4) screws that came with the enclosure. Head unit attaches in either portrait or landscape orientation.



- 5. Insert apple power extension cord,** threading it through slot in pole mount as shown. Ensure the power cord is exiting in the correct orientation (typically facing the lock point/ rear of the enclosure as shown unless you are configuring for reverse mount installation).



- 3. Insert usb cable** into the top of the pole mount as shown.



- 6. Tilt apple power extension cord connector down,** this is required to fit the AC adapter into the mount with the USB cable attached.

ASSEMBLY INSTRUCTIONS



- 7. Slide iPad power adapter** onto Apple power extension cord, ensuring it is connected securely and positioned inside the pole (a small portion will protrude from either end).



- 8. Secure pole mount** to base plate with two(2) m4 screws provided.
- NOTE:** Be careful not to over tighten screws as it may damage the power adapter.



- 9. Install the two(2) foot covers over pole** so that the power cord exits through the opening provided. Ensure the covers engage with the alignment tabs on the pole mount (if you can slide the foot cover up they have not engaged).



- 10. Secure foot cover** with two(2) security screws provided.



- 11. Attach faceplate** to the lilitab head unit with the four(4) security screws provided.

LILITAB TABLETOP
OPTIONAL ADD-ONS





1. The keyboard mount comes already assembled, along with four(4) mounting screws.



3. Remove backing from velcro adhesive strips on keyboard mount.



2.1 FOR LANDSCAPE ORIENTATION: Attach the keyboard mount to lilitab mount plate with four(4) screws provided.



4. Place your keyboard carefully on top of tray to make contact with velcro adhesive. Press gently and secure.



2.2 FOR PORTRAIT ORIENTATION: Attach the keyboard mount to lilitab mount plate with two(2) screws provided.

lilitab

QUESTIONS?

We're here to help!

EMAIL: support@lilitab.com

PHONE: (888) 705 0190