



# lilitab **Floor Pro**

Packing List and Assembly Instructions

v.2.0

# TABLE OF CONTENTS

## LILITAB FLOOR PRO PACKAGING AND ASSEMBLY INSTRUCTIONS

lilitab Floor Pro Assembly Preparation .....	3
lilitab Floor Pro Features.....	4
lilitab Floor Pro Mount Options .....	5
lilitab Floor Pro Mounting Pattern .....	6
lilitab Floor Pro Assembly Instructions .....	7
Using the iPad Power Button Trigger and MagKey .....	9
lilitab Cleaning Instructions.....	10

# ASSEMBLY PREPARATION

## TO ASSEMBLE YOUR LILITAB YOU WILL NEED:

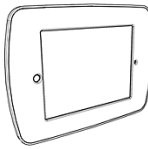





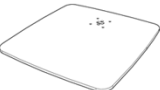
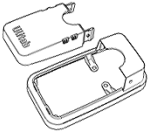


- ✓ Phillips screwdriver

## TO SECURE YOUR LILITAB YOU WILL NEED:

- ✓ Kensington compatible cable lock

## TO BOLT YOUR LILITAB TO THE FLOOR YOU WILL NEED:

- ✓ Powered drill/driver, preferably with impact action
- ✓ Socket wrench with a neck of at least 5", this may require a socket extension
- ✓ 2 x bolts, wood screws or other fastener suitable for your floor's substrate (m6, no.14 or 1/4" diameter)

PACKING LIST	
	1 x head unit & faceplate
	1 x mount arm
	1 x foot cover (included when purchased without base)
	1 x MagKey
	2 x MagDock keys
	1 x L key
Optional Base Plate Items	
	1 x base plate
	1 x base housing and cover
	4 x base screws (2x short; 2x long)
	2 x base security screws

# FEATURES

## WIRELESS TRANSPARENCY

The lilitab head unit causes no radio interference.



## USB CABLE SLOT

For peripherals

## ACCESSORY PANELS

Accepts expansion modules

## MAG DOCK

### MAGDOCK

With the turn of a key, the operator can dock/undock the lilitab head unit. When the head unit is docked it automatically begins charging and it can be docked in any orientation.

## MAG KEY

### MAGKEY SLOT

Accepts a MagKey for securely sleeping an iPad.

## MULTI-POSITION NECK JOINT

Permits tilt up/down. It has two operator configurable modes:



**Fixed.** The head unit can be set to any fixed angle between completely vertical and +/-22.5°



**Tilt.** Can be configured to allow the user to tilt the head unit.

## 2 X M4 ACCESSORY MOUNT POINTS

Accepts Banner Hanger, Printer Stand, Brochure Rack etc.

## LOCK POINT

Accepts kensington lock



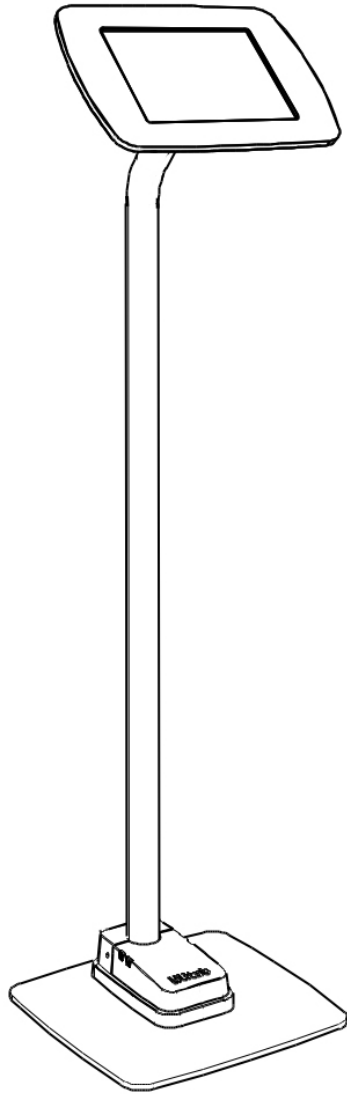
## BASE HOUSING FOR TABLET'S AC ADAPTER

Included with optional base

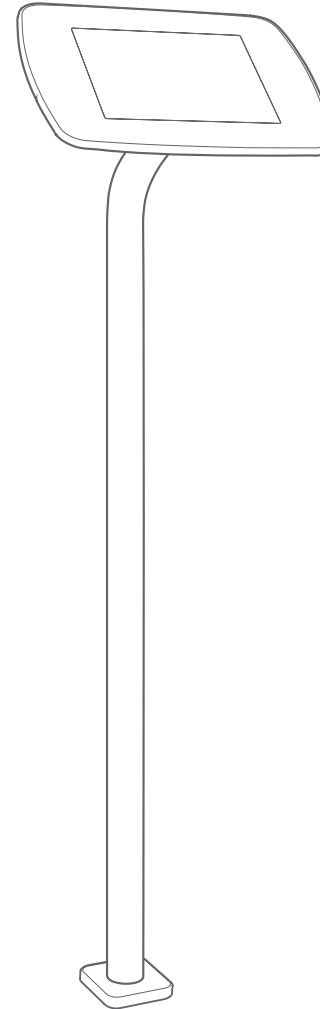
## BASE PLATE

Optional

## MOUNT OPTIONS

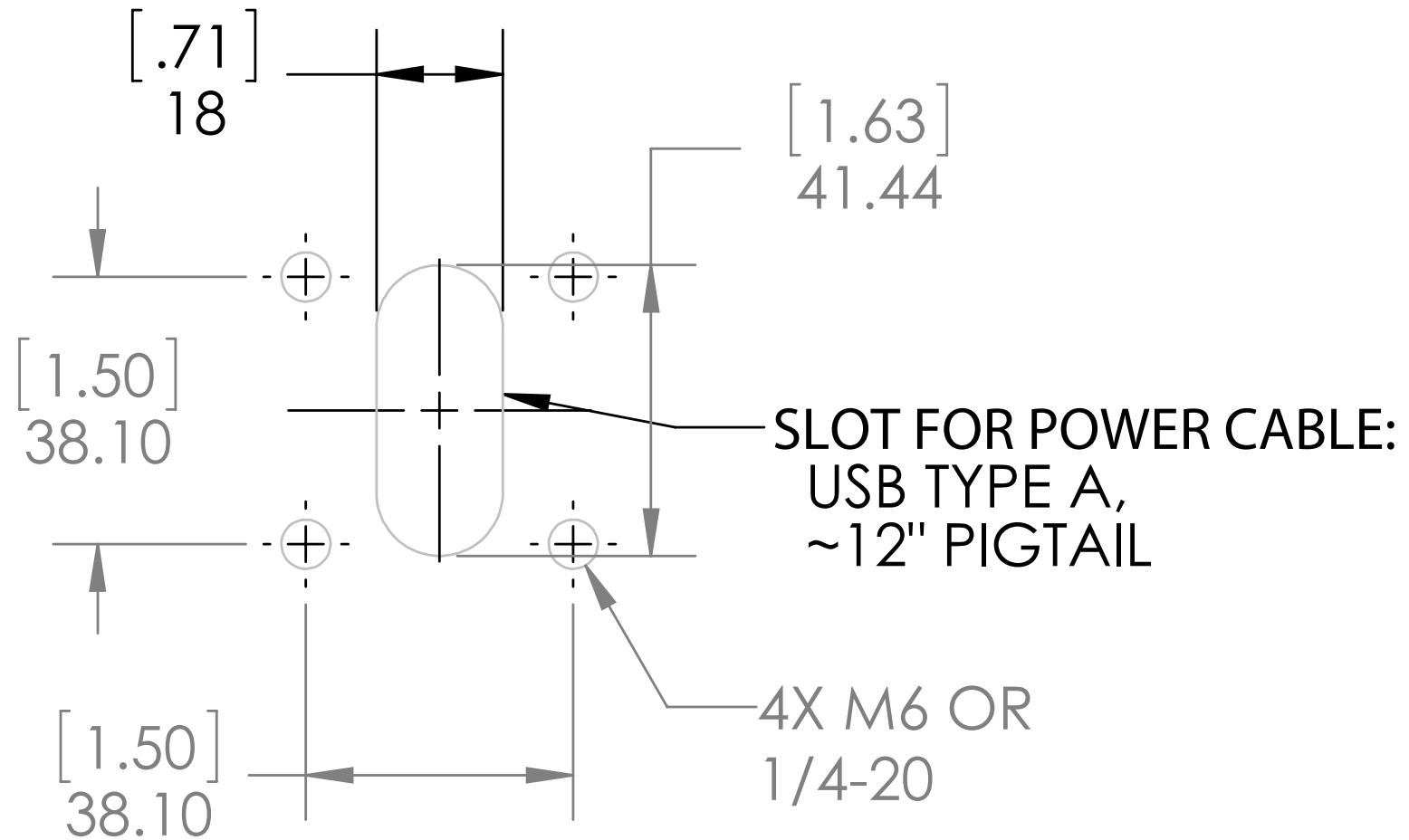


FREE STANDING WITH OPTIONAL  
BASE PLATE AND BASE HOUSING



BOLT DIRECTLY TO THE FLOOR  
(SHOWN WITH LOW-PROFILE FOOT COVER)

# MOUNTING PATTERN



# ASSEMBLY INSTRUCTIONS



1. **Insert the pole mount** into the base housing on an angle to clear the welded flange.

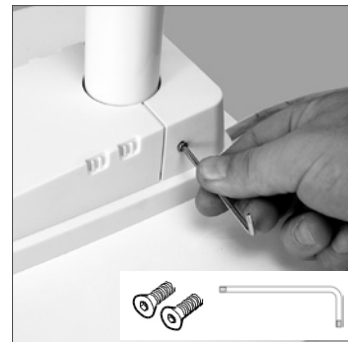


4. **Attach the base housing cover** by sliding it into place.



2. **Attach base plate.** Position pole mount over the base plate. Using the **two short base screws** provided, bolt through the welded flange's two rear-most openings closest to the cable egress slot.

**NOTE:** You will need to hold the base housing up and out of your way while bolting.



5. **Secure the base cover** using the **two base security screws** and **L key** provided.



3. **Connect and position cables:**

1. Connect the usb cable to the tablet's AC adapter. Then connect the adapter to your extension cord.
2. Position both cables underneath the two mount flanges. The extension cord should exit the rear of the housing.
3. Screw down the base housing using the **two long base screws** provided.

*(iPad AC adapter shown)*

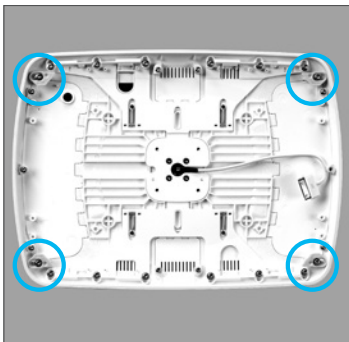
# ASSEMBLY INSTRUCTIONS



**6. Open the lilitab head unit** by placing it facedown on a clean surface and squeezing the finger latches together as shown. Carefully lift up and the faceplate will release, allowing access to the inside of the head unit.



**9. Slide all four green retaining clips** towards the center of the tablet.  
**NOTE:** If clips aren't secure, adjust your tablet.  
Lastly, position the faceplate over the tablet. Be sure to align the openings. Gently press down around the edges it will should snap into place.  
**NOTE:** If the faceplate does not snap into place evenly ensure that all four green retaining clips are seated fully home.



**7. Place the head unit onto a clean surface** with the inside of the enclosure facing up (your charge and sync cable should be on the right side of the enclosure as shown in the photo). Slide all four of the green retaining clips towards the outside of the enclosure.

**NOTE:** The green keepers will **NOT** be present for the iPad Air, Google Nexus, Samsung Galaxy Tab 3 or Samsung Note. Instead the faceplate's locating tabs will hold the tablet in place.



**10. Place your lilitab onto the MagDock mount** in either landscape or portrait orientation.  
**TURN THE KEY to lock it in place.**  
**WARNING:** Not locking the MagDock WILL result in the unit falling off, possibly damaging the unit and/or the tablet. The lilitab Pro range is designed to be operated with the lock closed!



**8. Plug the charge and sync cable** into your tablet's charge port, then place your tablet inside the enclosure face up.

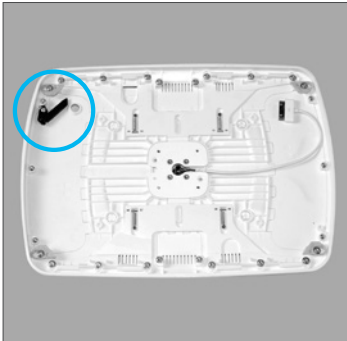
If your tablet's charge connector is in the middle of the long edge ensure, your charge cable is inserted into the cable routing clips as shown in photo.



**10. Set tilt feature.** By default the lilitab head unit can be tilted by the user to suit. If you wish to disable tilt, position your head unit at the desired angle and tighten the bottom screw on the neck joint with the **L Key** provided.



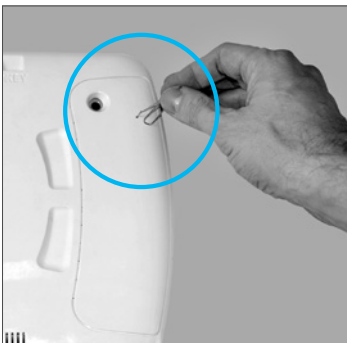
## USING THE IPAD POWER BUTTON TRIGGER



1. You can actuate the power button located on the edge of your iPad using the black Power Button Trigger shown to the left.



**NOTE:** Here's an iPad installed in the correct orientation with the Power Button Trigger next to the iPad's power button.



2. Once installed you can actuate the Power Button Trigger via a paper clip inserted into the small opening on the rear below the camera opening.

## USING THE MAGKEY



1. You can use the included MagKey with an iPad 2,3 or 4 in your lilitab. The MagKey allows you to sleep the iPad without having any access to it. This ensures you (and your staff!) can turn your kiosk on and off at the end of the day without removing the iPad from the kiosk. You will always know when the iPad is sleeping because once inserted the MagKey pokes out the top of unit like a little flag.



2. To sleep your iPad simply insert your MagKey with the orange side facing front and the black side facing back.



3. Remove your MagKey and your lilitab will wake up, in exactly the same state it was in before it went to bed ;-)

**NOTE:** The MagKey is compatible with iPad 2, 3 and 4. It requires that the iPad Cover Lock/Unlock preference is turned on. You can find this in Settings→ General→ iPad Cover Lock/Unlock.

Replacement MagKeys can be ordered directly from the website: [www.lilitab.com](http://www.lilitab.com)

# LILITAB CLEANING INSTRUCTIONS



1. **Spray** the Brillianize onto one of the cloths provided.

**WARNING:** Other cloth/material may mar the surface of your lilitab



2. **DO NOT spray directly onto your lilitab!**



3. **Rub gently** in a circular motion to remove fingerprints and dirt.

**WARNING:** Applying excess pressure can mar the surface of your lilitab.

**lilitab**

**QUESTIONS?**

We're here to help!

EMAIL: [support@lilitab.com](mailto:support@lilitab.com)

PHONE: (888) 705 0190