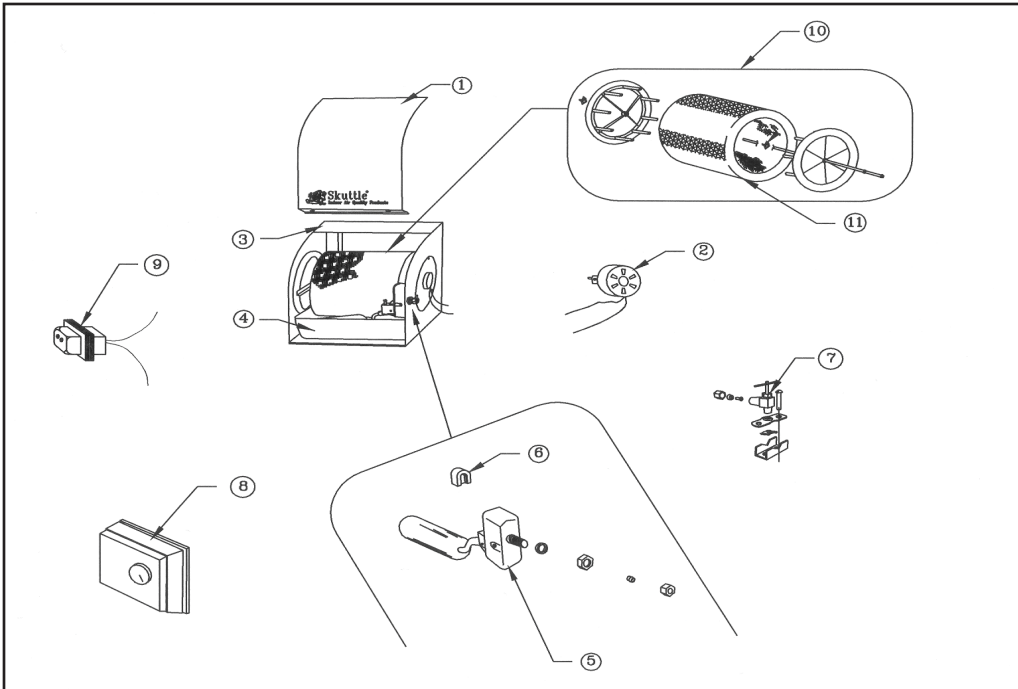




Skuttle®
Indoor Air Quality Products

To Order Genuine Skuttle Parts
888-SKUTTLE (758-8853) • 740-373-9169
www.skuttleparts.com

Model 90-1 Replacement Parts



Key	Part Number	Description
1	A00-0641-103	Cover Assembly
2	A05-1721-042	24 Volt Drum Motor
3	A00-1730-036	Cabinet Assembly
4	A00-0602-041	Water Pan
5	A17-1731-013	Complete Valve & Float Assembly (includes Key # 6)
6	A00-1708-002	Valve Seat
7	A00-1128-005	Saddle Valve
8	SK0-0055-001	Humidistat Assembly
9	000-0814-008	Transformer 24V, 10VA, 120V Primary
10	A01-1722-020	Complete Drum & Media Assembly
11	A04-1725-034	Replacement Media with Clips
Not Shown	K00-0090-000	Small Parts Kit (Shaft Bearing, Crossbar & Mounting Screws, Two Side Panel Gaskets, Valve Hole Plug, Drain Basin)