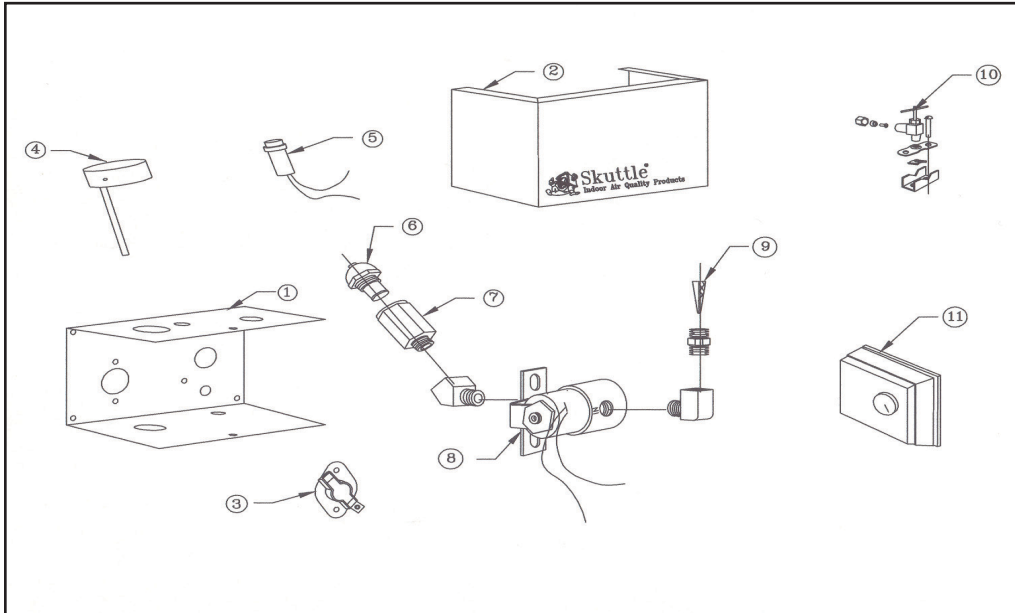




Skuttle®
Indoor Air Quality Products

To Order Genuine Skuttle Parts
888-SKUTTLE (758-8853) • 740-373-9169
www.skuttleparts.com

Model 592 Replacement Parts



Key	Part Number	Description
1	000-1715-013	Mounting Base
2	A00-0641-099	Cover & Label Assembly
3	000-0431-019	Thermal Switch (only for 592-22)
4	A00-1319-034	Copper Drain Basin Assembly
5	000-0814-070	24 VAC Indicator Light
6	000-1106-018	.50 G.P.H. Nozzle (factory standard)
7	000-1319-055	Nozzle Body
8	A01-0814-148	24 Volt Solenoid (Universal Kit)
9	000-1319-051	Inline Filter
10	A00-1128-005	Saddle Valve
11	SK0-0055-001	Humidistat Assembly
Not Shown	K00-0592-000	Small Parts Kit (Includes 45 and 90 Degree Elbows and compression Fittings w/Filter)

Additional Nozzle Sizes Available

6	000-1106-017	.37 G.P.H. Nozzle
6	000-1106-019	.75 G.P.H. Nozzle