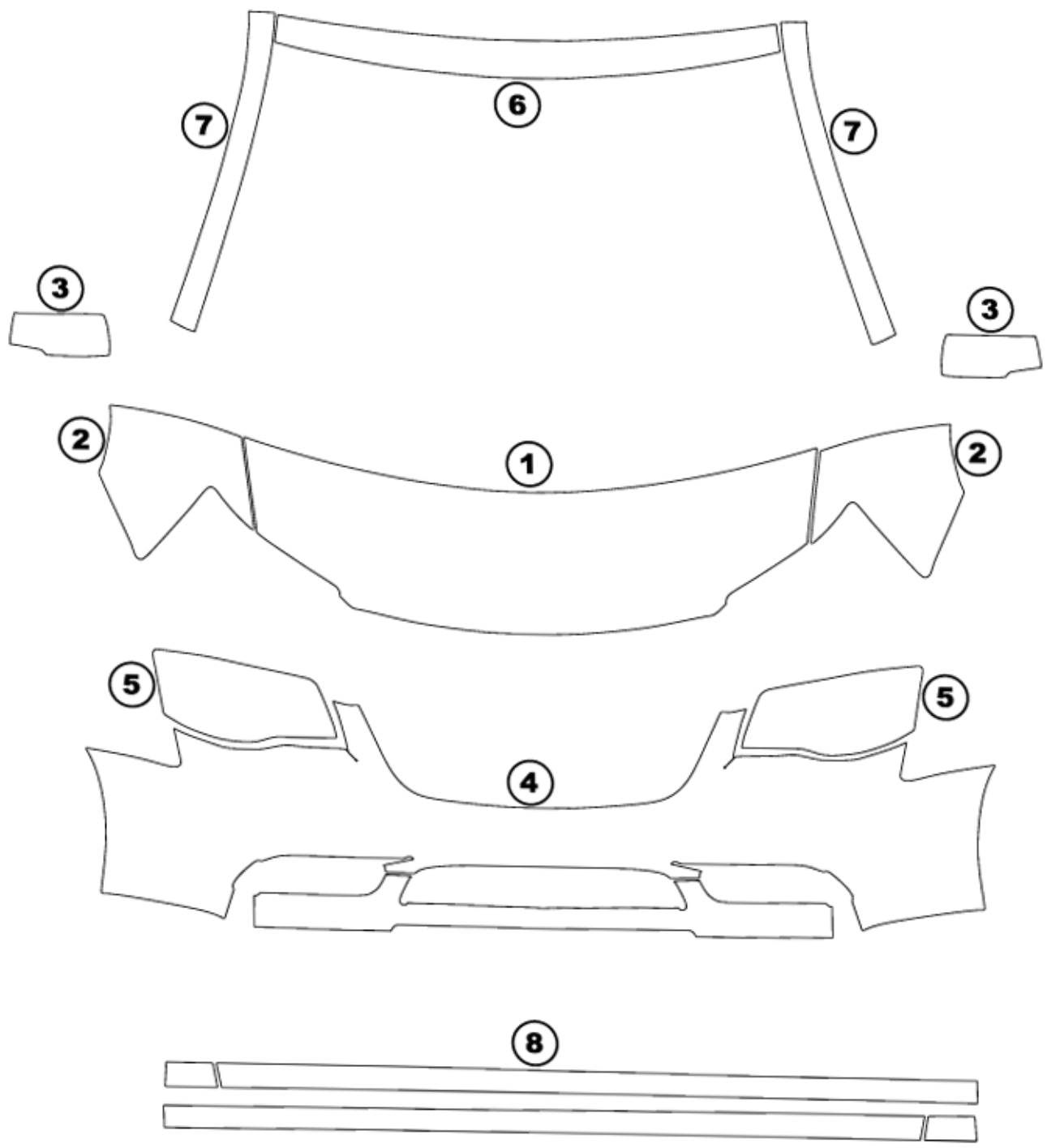


CHRYSLER TOWN & COUNTRY 2011+

- ① HOOD
- ② FENDER
- ③ MIRROR
- ④ BUMPER

- ⑤ LIGHTS
- ⑥ CAB TOP
- ⑦ A PILLARS
- ⑧ ROCKER PANELS



CHRYSLER TOWN & COUNTRY 2011+

DATE: 06/22/2011
 DRAWN BY: W.B.
 PART #: 207-18-2-11

Installed by: _____ Notes on back: REVISION #: 00