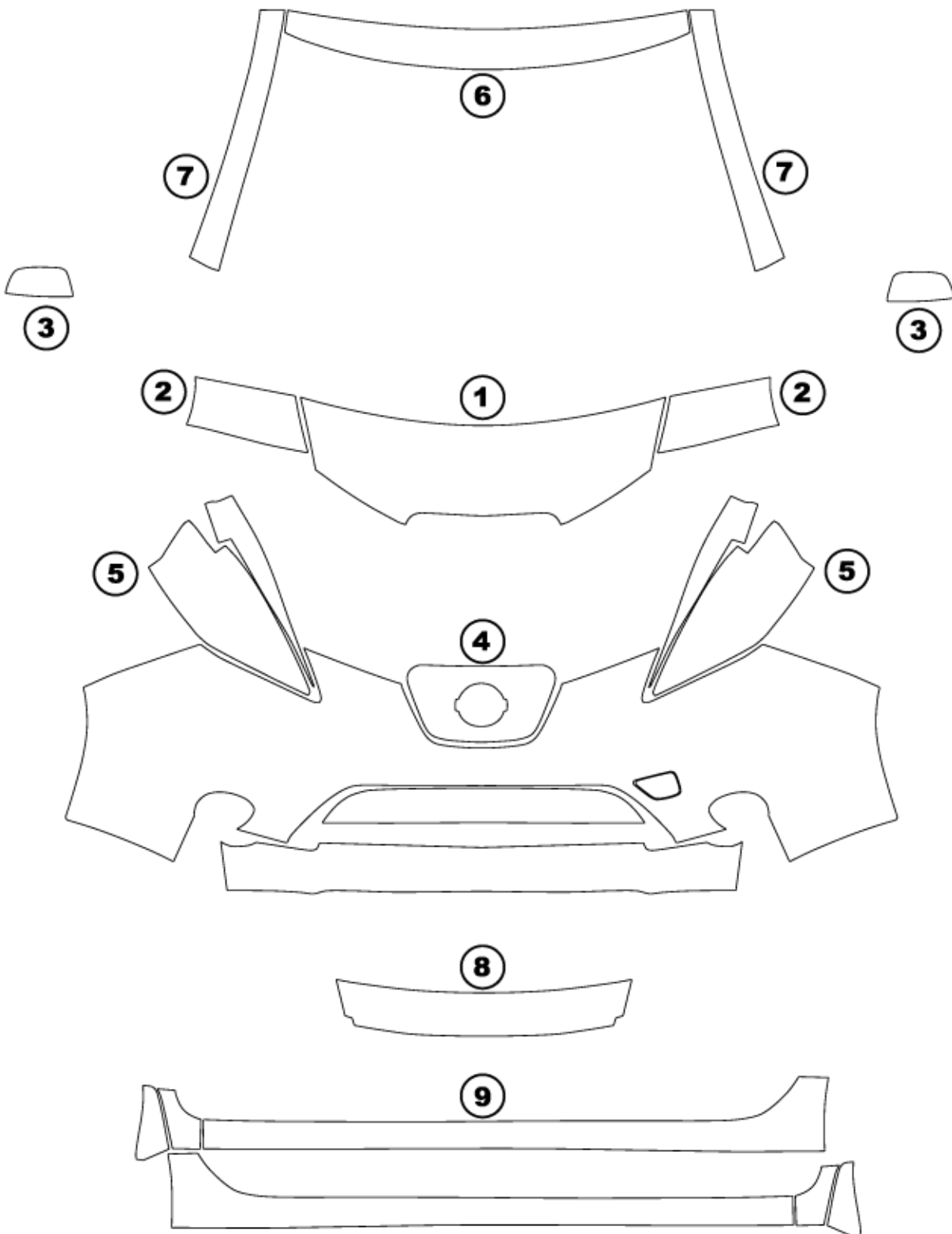


NISSAN LEAF 2012+

- ① HOOD
- ② FENDER
- ③ MIRROR
- ④ BUMPER

- ⑤ LIGHTS
- ⑥ CAB TOP
- ⑦ A PILLARS
- ⑧ REAR TRUNK LEDGE

- ⑨ ROCKER PANELS



NISSAN LEAF 2012+

DATE: 06/03/2011

DRAWN BY: W.B.

Installed by:

Notes on back:

REVISION #: 00

PART #: 230-36-2-12