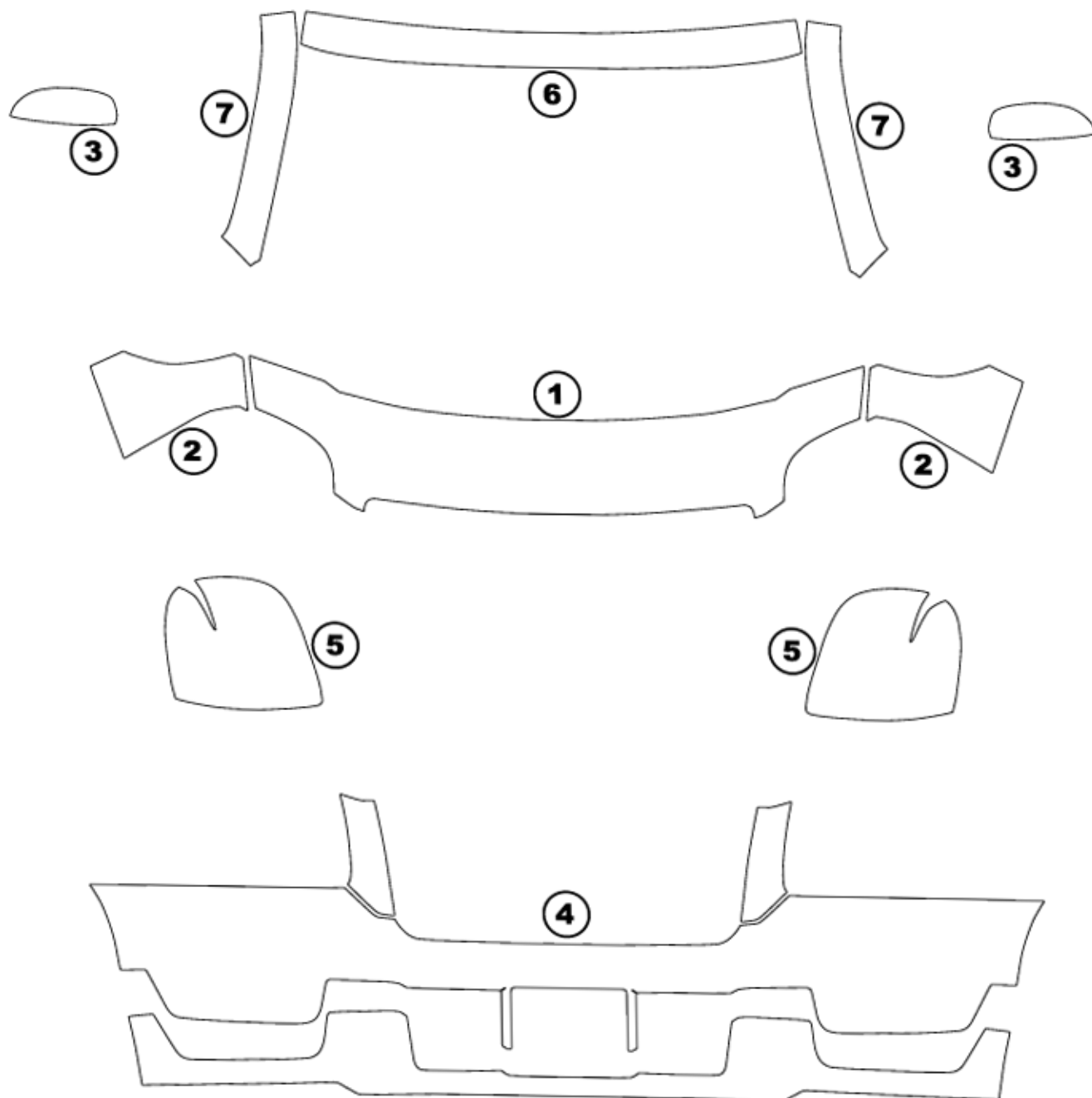


- ① HOOD
- ② FENDER
- ③ MIRROR

- ④ BUMPER
- ⑤ LIGHTS
- ⑥ CAB TOP

- ⑦ A PILLARS



GMC Yukon Hybrid 2008+

DATE: 01/19/2010

DESIGNER: A.G.

Installed by:

Notes
on back:

REVISION: 00