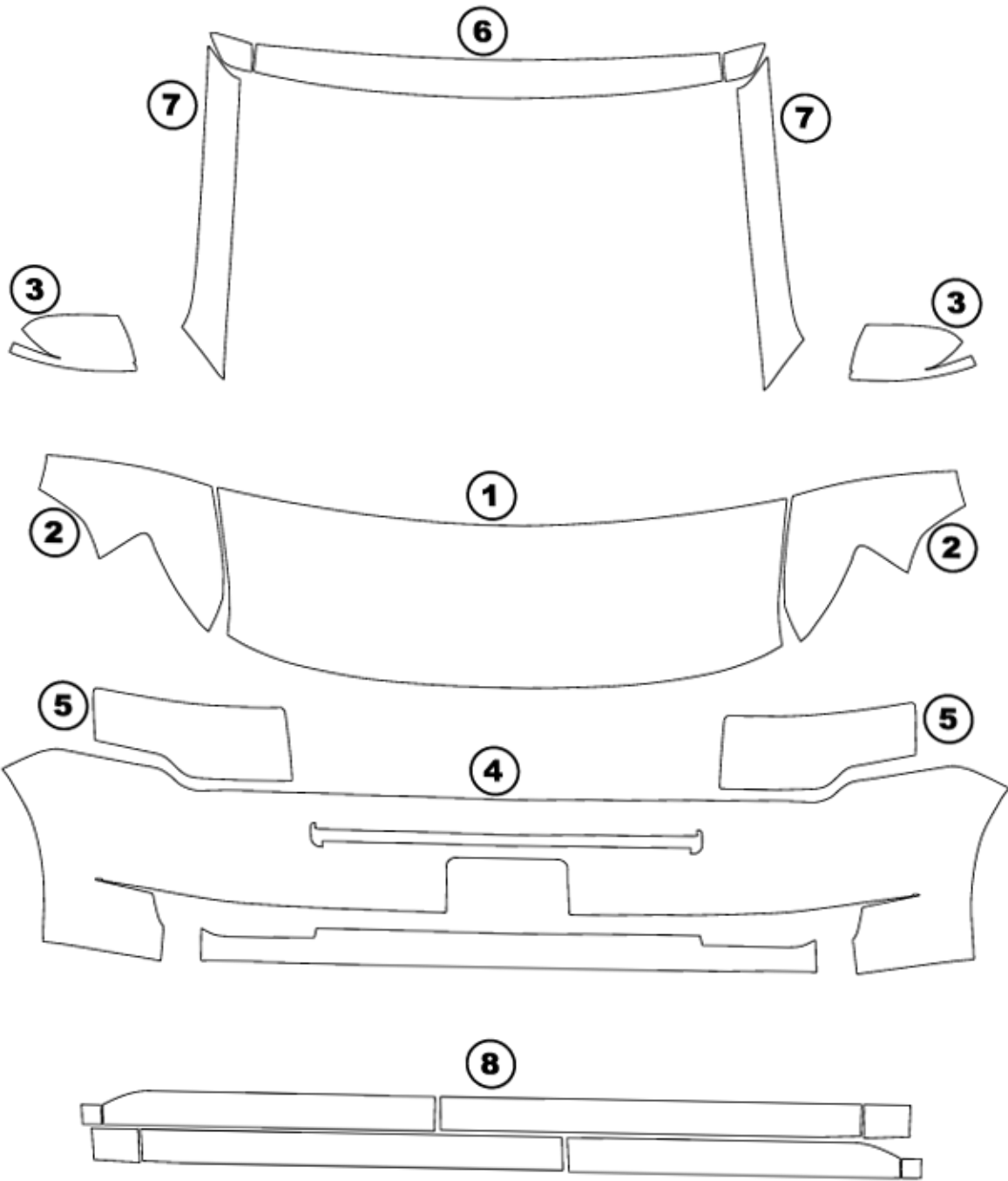


# FORD FLEX 2009+

- ① HOOD
- ② FENDER
- ③ MIRROR
- ④ BUMPER

- ⑤ LIGHTS
- ⑥ CAB TOP
- ⑦ A PILLARS
- ⑧ ROCKER PANELS



FORD FLEX 2009+

DATE: 06/17/2011

DRAWN BY: W.B.

Installed by:

Notes on back:

REVISION #: 01

PART #: 212-42-2-09