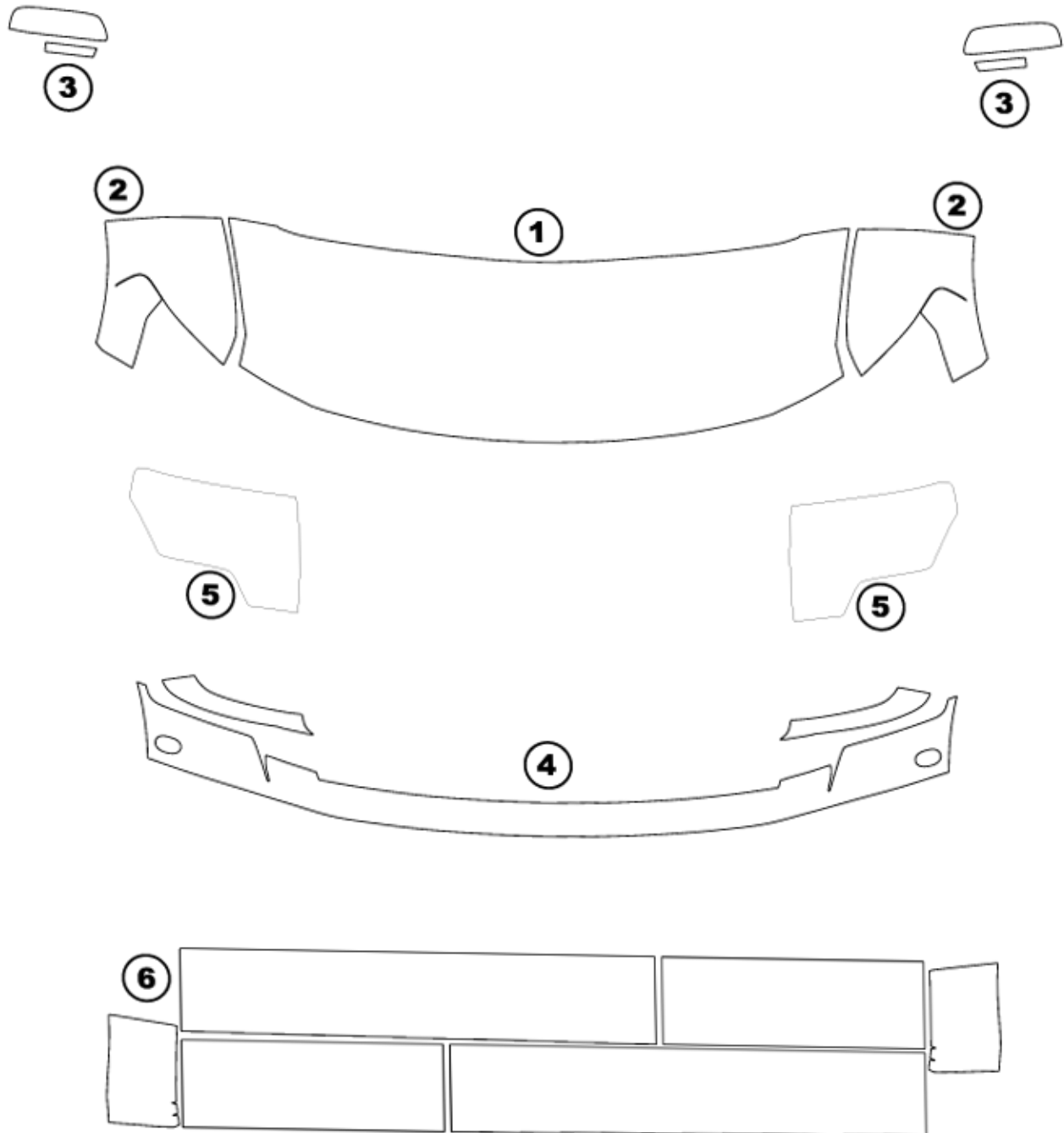


FORD F150 RAPTOR, 2010+

- ① HOOD
- ② FENDER
- ③ MIRROR
- ④ BUMPER

- ⑤ LIGHTS
- ⑥ ROCKER PANELS



FORD F150 RAPTOR, 2010+

DATE: 12/01/2009

DRAWN BY: A.G.

Installed by:

Notes on back:

REVISION #: 00

PART #: 212-16-3-10