



THE FILTER ONE

Thank you for your purchase of the Blackline Manufacturing Filter One, the premier filtration system for your screenprint clean room.

HOW IT WORKS

The Filter One is divided into two compartments. It comes with a specially designed chemical pump and two polypropylene filters and has a switch that allows for either manual or automatic sensing of fluid levels. Sludge and solvent fall into the rear compartment, where the sludge is trapped. The solvent then drains into the front compartment, and after tripping the float switch is pumped and filtered to the waste drain.

WARNING! THE FILTER ONE CAN ONLY BE USED WITH NON-TOXIC, BIODEGRADABLE, AQUEOUS-BASED CHEMICALS. PETROLEUM BASED CHEMICALS CANNOT BE USED IN THE FILTER ONE!

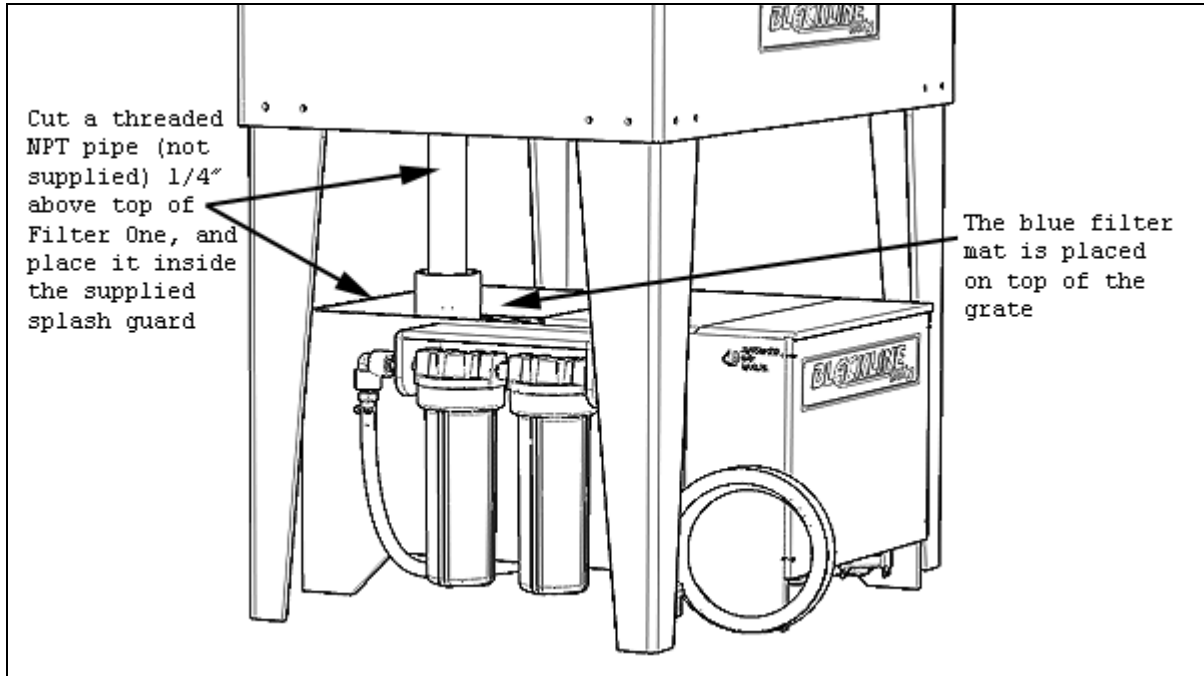
The Filter One requires 115V, 60Hz electrical power. The outlet **must be GFI protected.**

ASSEMBLY INSTRUCTIONS

- Remove the Filter One from the box and remove packaging material. Peel off any protective mask from the plastic surfaces.
- Place the Filter One under your washout booth, with the grate section under the drain and the blue filter housings on the left side.
- Remove the tie-wraps that secure the hose during shipping.
- Fill both tanks until the water level is one inch below the top of the grate and let it sit for a few minutes.
- Place the free end of the hose in a five-gallon bucket on the floor. With the system plugged in, select the manual switch position and cycle the unit on and off in short cycles until the pump is primed. When the pump produces water at full volume, empty the bucket and select the

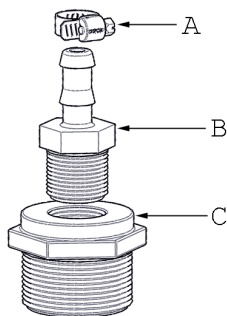
BLACKLINE_{mf}

automatic position. Allow the system to pump until it stops. Install your sink's drain pipe (not included) and the splash guard as per the drawing below.

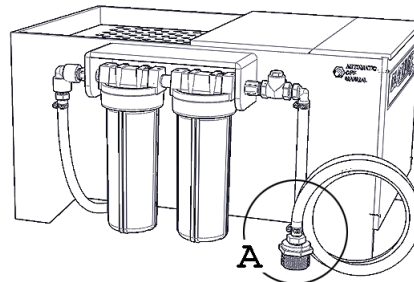


HOOKING UP THE FILTER ONE TO EXISTING PLUMBING

- The Filter One comes with a black 1-½" to ¾" reducing bushing (C) and a ¾" x ½" barb fitting (B). During packaging, these items are zip-tied together along with the filter wrench, splash guard and hose clamp. Screw the bushing (C) into the 1-½" female adapter coupling on the building plumbing line (not supplied). With the hose clamp (A) fit loosely around the filter discharge hose, slip the free end of the discharge hose onto the ½" barb (B) and secure the clamp.



Detail A



a division of MTECH, Inc.

For technical questions, contact your distributor or call 888.797.5100



- Run water into your washout sink and allow the pump to cycle on and off a few times to insure proper operation.
- Install the Filter One top covers. The unit is now ready for use.
- There is a toggle switch on the Filter One's side panel that controls the automatic fluid sensor. It has three settings: automatic, off and manual. While the system is in use, the switch should be set at the automatic position. This allows the fluid level to be monitored and adjusted automatically to prevent overflow.

MAINTENANCE

Periodic maintenance schedule:

- The pump motor should be oiled approximately every six months with two to three drops of light machine oil in the upper and lower ports. See the pump schematic for locations.
- Depending on the amount of sludge being accumulated in the system, it is a good idea to clean the pump head approximately once per year.
- Check the large tank for sludge buildup and remove sludge as necessary (see next page).
- If unit isn't used on a regular basis lift small cover and remove emulsion floating on top of water.

MONITOR DURING USE

If water is observed above perforated grate, stop using and check for sludge build-up. Also, check filters and other components for proper operation.

FILTERS

The frequency at which you need to replace the polypropylene filters will be determined by the volume of screens cleaned. High volume shops will likely need to change the filters every 3-4 weeks; shops with lower volume could go as long as 12 weeks or more. **It is important that the operator check the condition of the filters at regular intervals. Failure to do so could result in the system overflowing.**



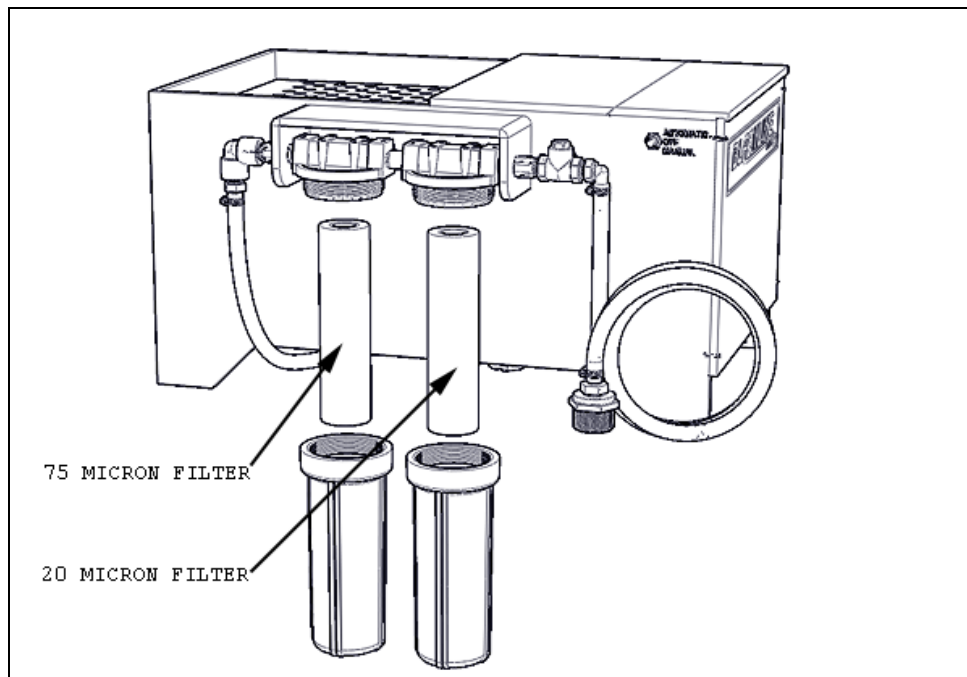
a division of MTECH, Inc.

For technical questions, contact your distributor or call 888.797.5100



HOW TO REPLACE THE FILTERS

The filters are housed in a cartridge and changing them is accomplished by unscrewing the housing using the supplied filter wrench, removing the filter and replacing it with a fresh one.



COMPLETE SERVICE

IMPORTANT! When doing a full service, do not change the filters until after the unit is completely cleaned. When the ink and emulsion waste builds up in the reservoir to the point where the Filter One needs to be cleaned completely, the unit will have to be emptied. To accomplish this, do the following:

- Set the fluid level toggle switch to manual and let the unit drain as much fluid as possible.
- Turn the toggle switch to the off position and remove the plastic plug located on the bottom of the panel that divides the two tanks.
- Turn the switch to the manual position again and continue to drain the unit.



a division of MTECH, Inc.

For technical questions, contact your distributor or call 888.797.5100

BLACKLINE *mfg*

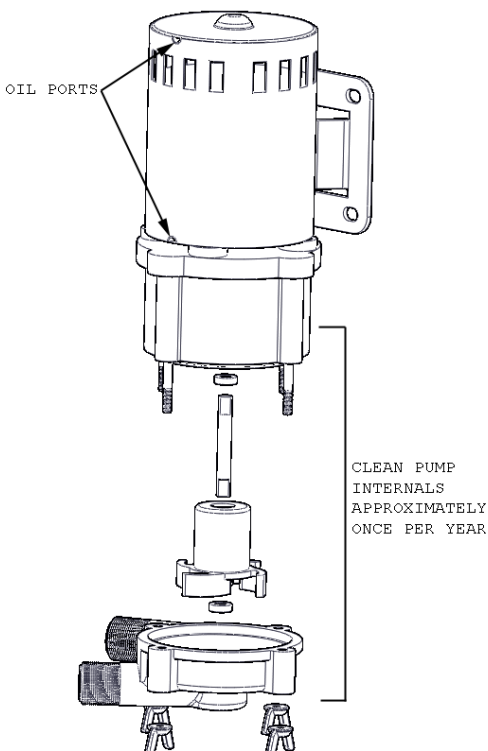
- When as much fluid as possible has been removed, the waste that remains in the bottom of the tank can be scooped out (or removed with a wet-dry shop-vac), and allowed to air dry.
- Once cured, dispose of the dried sludge according to you local regulations.

At this point the operator will replace the plastic plug, refill the unit to within 1" of the top grate and let it stand for a few minutes. Prime the pump (refer to assembly and set-up instructions). The Filter One is now ready to use.

See the Filter One maintenance video at:

<http://www.blacklinemfg.com/video/FilterOne/FilterOneMaintenance.htm>

PUMP DIAGRAM



a division of MTECH, Inc.

For technical questions, contact your distributor or call 888.797.5100