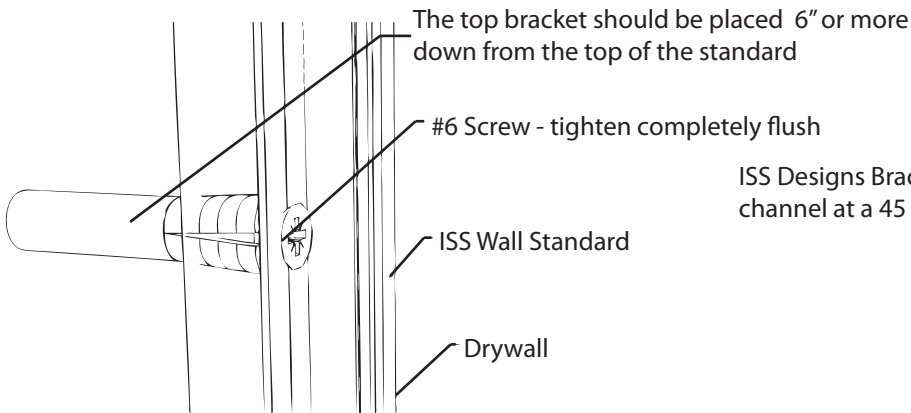
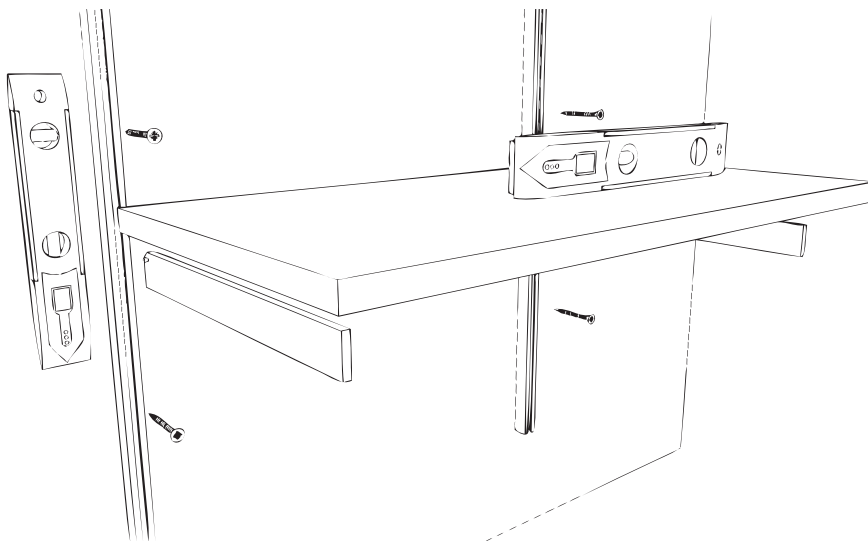
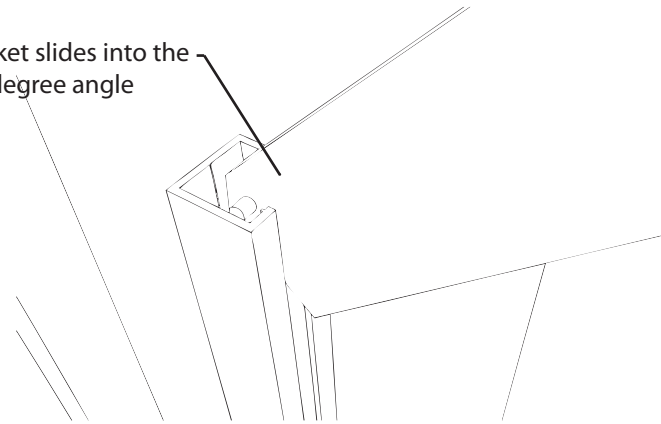


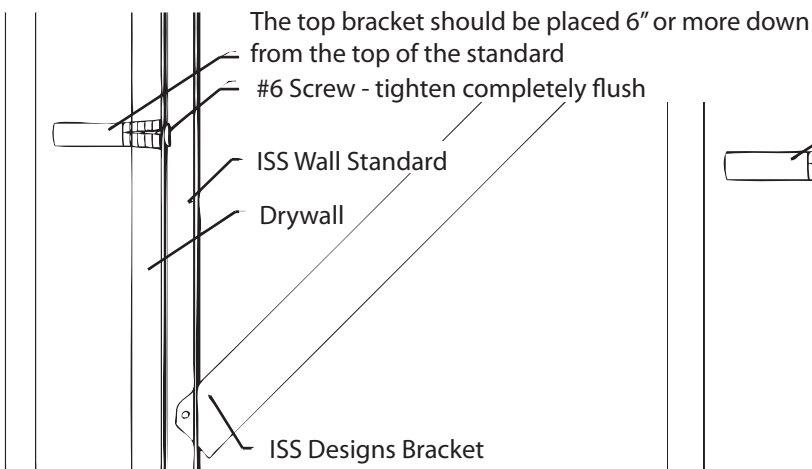
### Installation Instructions



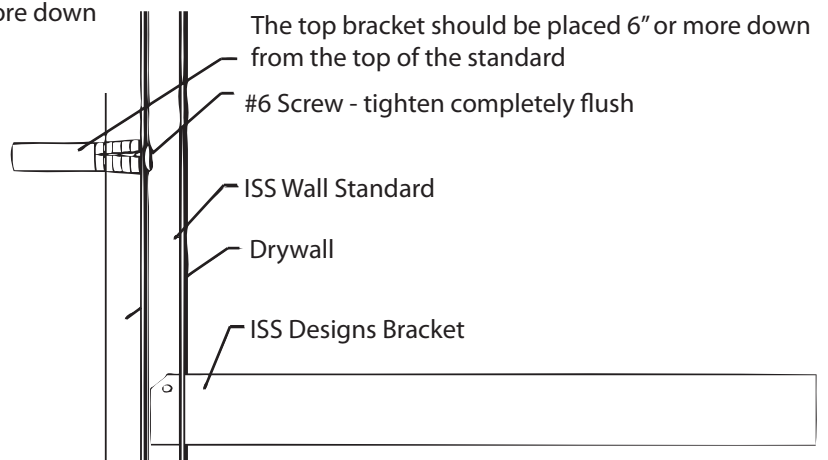
ISS Designs Bracket slides into the channel at a 45 degree angle



1. Mount the ISS standards to the wall studs. When studs are unavailable, use appropriate wall anchors (not provided)
2. The top bracket should be placed 6" or more down from the top of the standard.
3. Shelves rest on top of the bracket. Shelves should overhang the brackets. Add double sided stick foam tape to secure the shelf onto the bracket if desired (not provided)



Slide bracket in at 45 degree angle



Lock bracket in place at 90 degrees