



R.A. MAGNUS

**CREV**

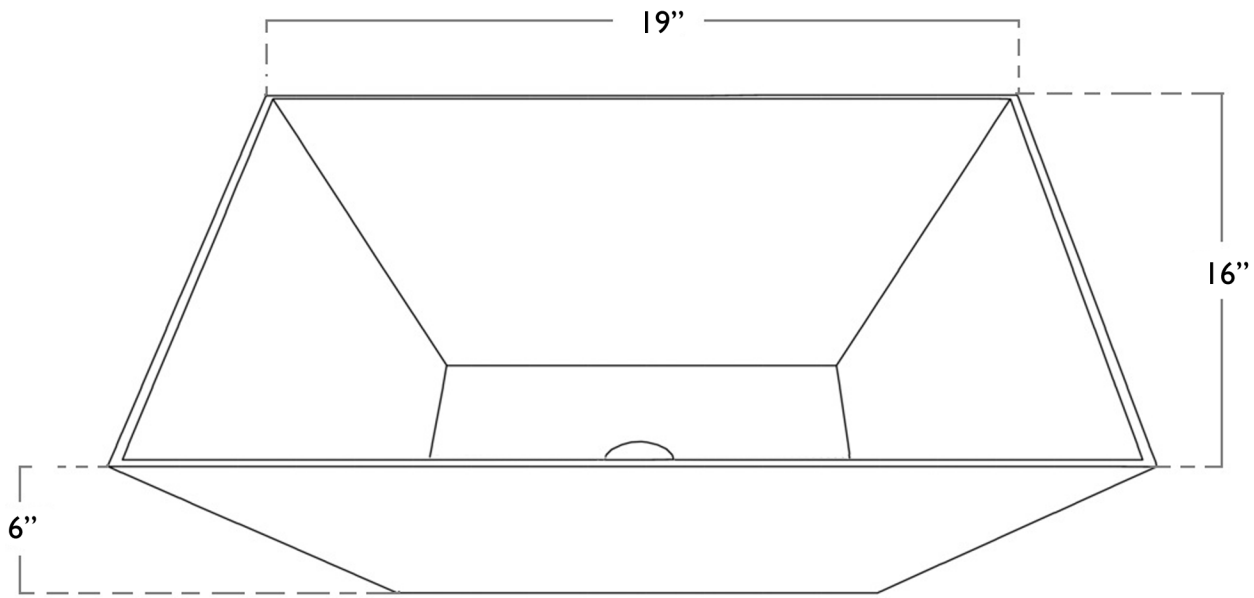
**SPECIFICATIONS**

Dimensions: CREV - 19" x 16" x 6" Deep O.D.

Description: Rectangular Vessel w/ tapered sides

1.5" Drain Opening

**LINE DRAWING**



\*Drain Centered in Sink

**AVAILABLE MATERIALS**

CREV-ORB    Oil Rubbed Bronze

CREV-WC    Weathered Copper

CREV-BN    Brushed Nickel

Installation Instructions: Use [Install\\_CopperVessel.pdf](#)

NOTE: Every sink is handmade, therefore all measurements may vary slightly. Please measure your individual sink to get the most accurate dimensions during installation.