



**CLASSIC WHEEL STAND
ASSEMBLY GUIDE**



THANK YOU FOR PURCHASING A

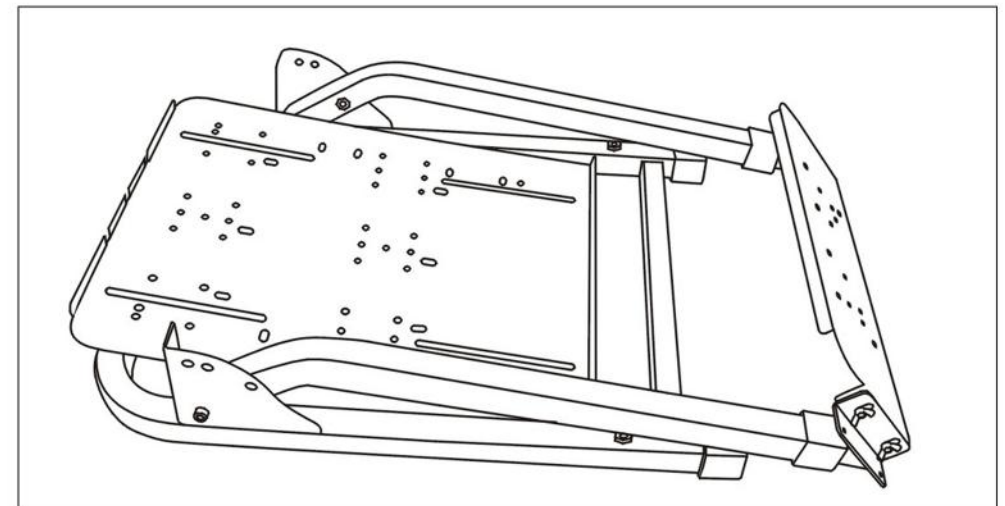
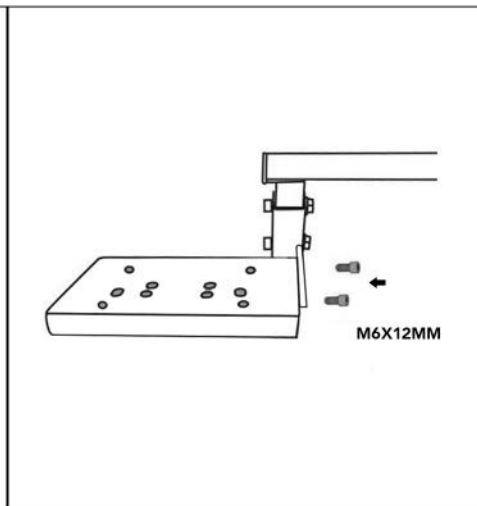
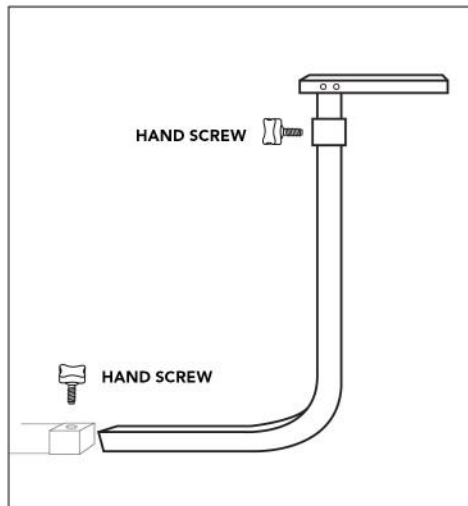
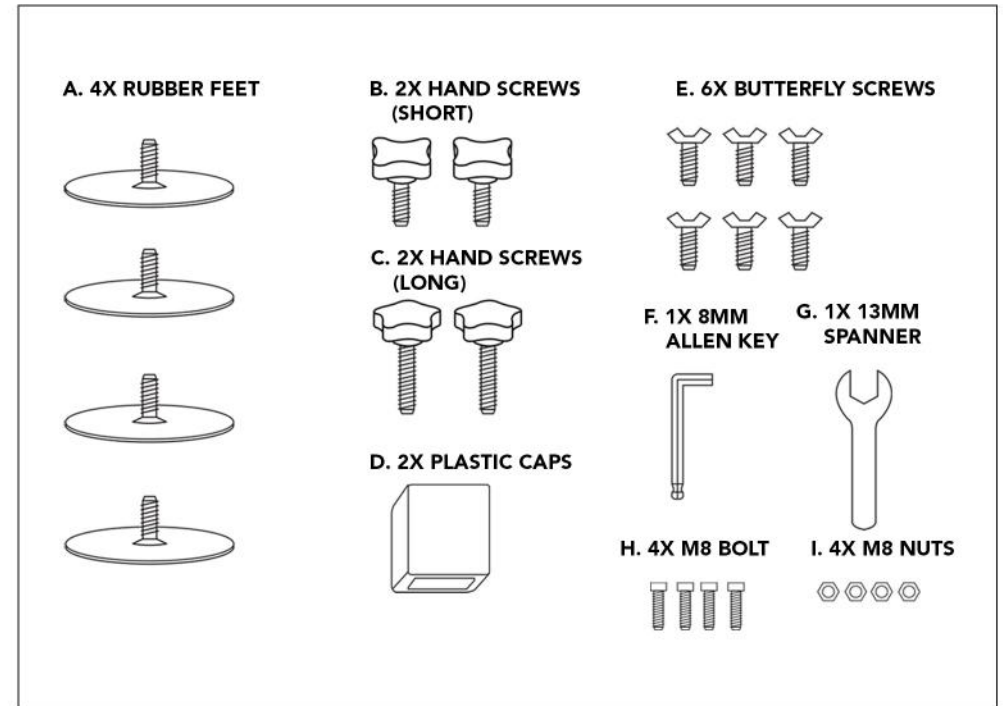
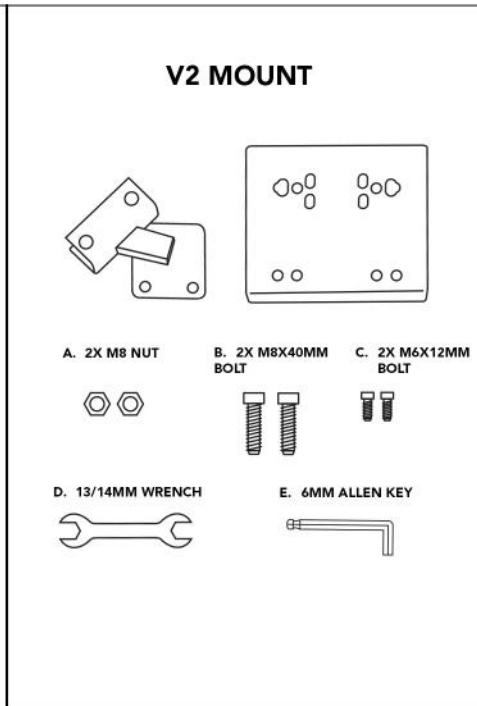
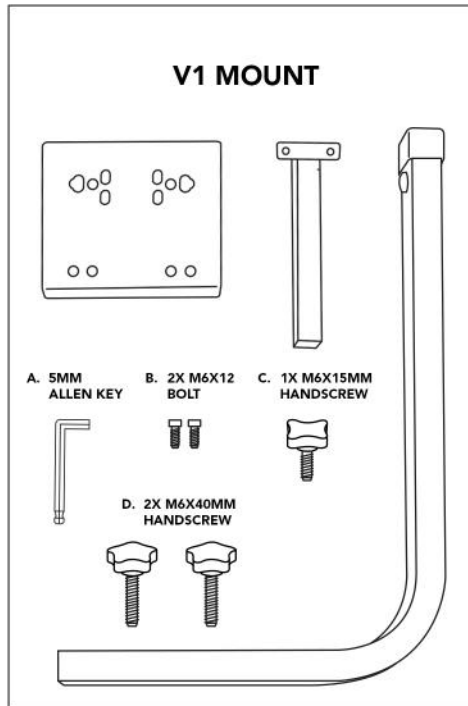


CLASSIC WHEEL STAND

IF YOU REQUIRE ANY ASSISTANCE PLEASE
GET IN TOUCH THROUGH OUR CONTACT FORM ON:

www.gtomega.com

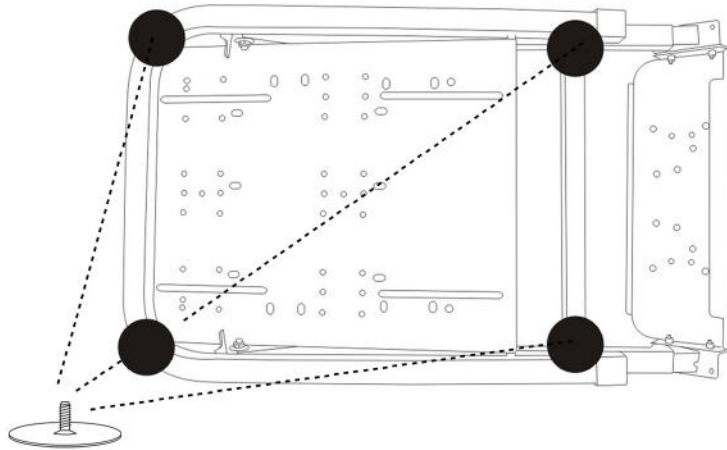
WHAT'S IN THE BOX?



ATTENTION: THIS PRODUCT IS MADE OF METAL, PLEASE HANDLE WITH CARE. INAPPROPRIATE USE MAY CAUSE DAMAGE TO THE USER AND PRODUCT.

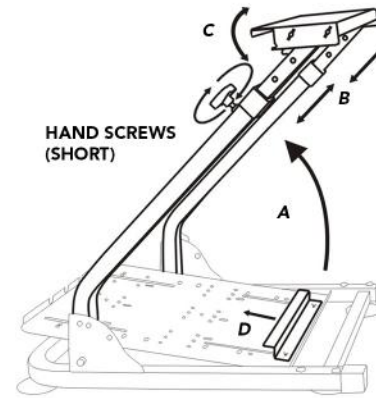
1

PLACE RUBBER FEET ONTO HOLES SHOWN HERE, TURNING CLOCK-WISE TO TIGHTEN.



2

FIT THE SHORT HAND SCREWS TO THE STAND AS SHOWN (TURNING CLOCK-WISE TO TIGHTEN). THE STAND CAN BE ADJUSTED THE FOLLOWING WAYS.

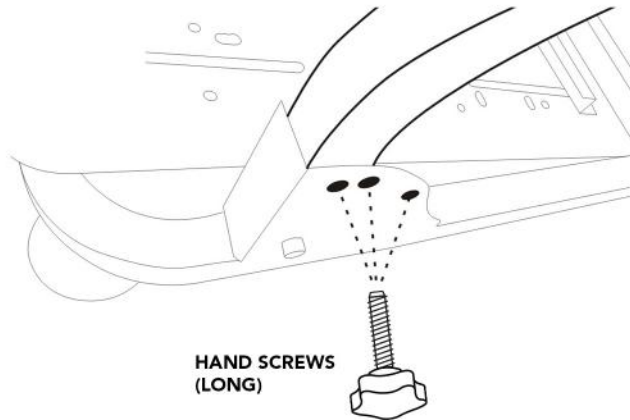


- A. ANGLE OF STAND CAN BE CHANGED
- B. THE STAND CAN BE LOWERED OR RAISED
- C. THE WHEEL PLATE CAN BE TILTED AS SHOWN
- D. PEDAL BRACKET CAN BE MOVED CLOSER OR FURTHER AWAY

ADJUSTMENTS

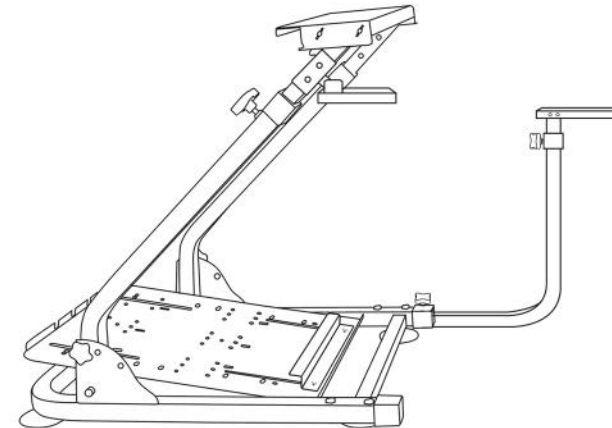
3

FIT THE LONG HAND SCREWS IN THE LOCATIONS AS SHOWN



4

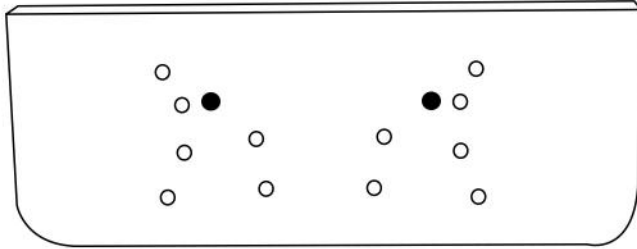
THIS IS HOW THE STAND SHOULD LOOK WHEN ASSEMBLED (NOT INCLUDING PEDALS OR STEERING WHEEL).



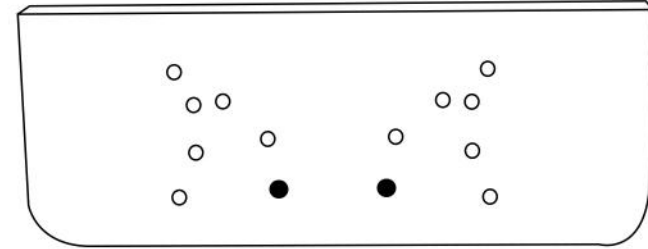
ATTENTION: THIS PRODUCT IS MADE OF METAL, PLEASE HANDLE WITH CARE. INAPPROPRIATE USE MAY CAUSE DAMAGE TO THE USER AND PRODUCT.

STEERING WHEELS MOUNT SCREW HOLES

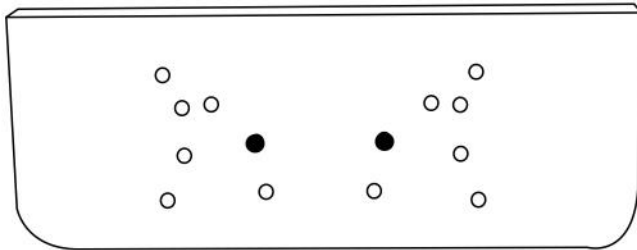
T300 THRUSTMASTER



LOGITECH G25/G27/G29



FANATEC CSL

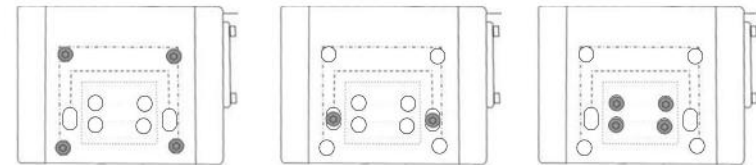


GEAR MOUNT SCREW HOLES

FANATEC SQ

G25/G27/G29/G920

THRUSTMASTER TH8A



ATTENTION: THIS PRODUCT IS MADE OF METAL, PLEASE HANDLE WITH CARE.
INAPPROPRIATE USE MAY CAUSE DAMAGE TO THE USER AND PRODUCT.

PEDAL MOUNT SCREW HOLES

