

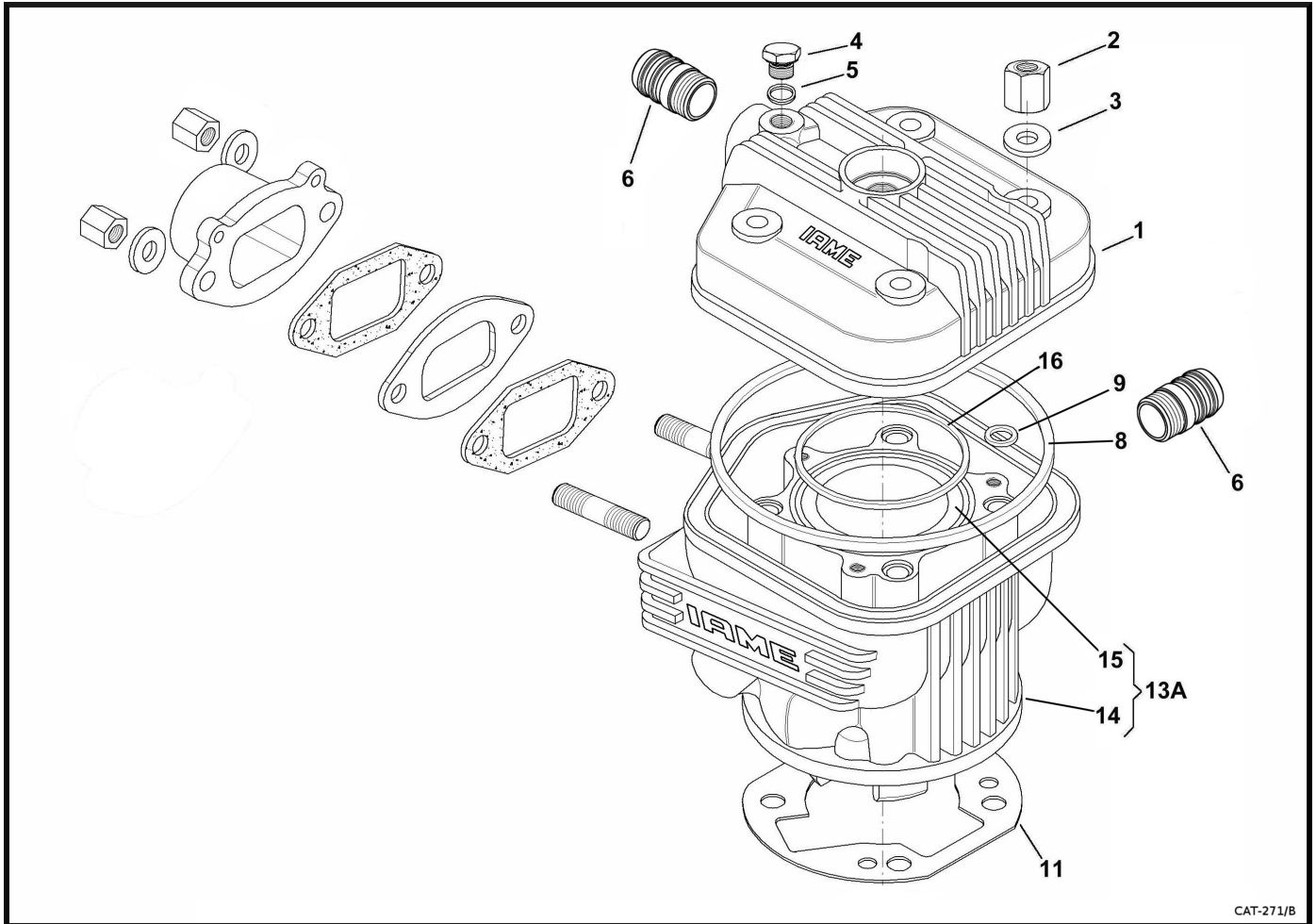


The heart of kart

PARILLA - X30 USA



HEAD AND CYLINDER

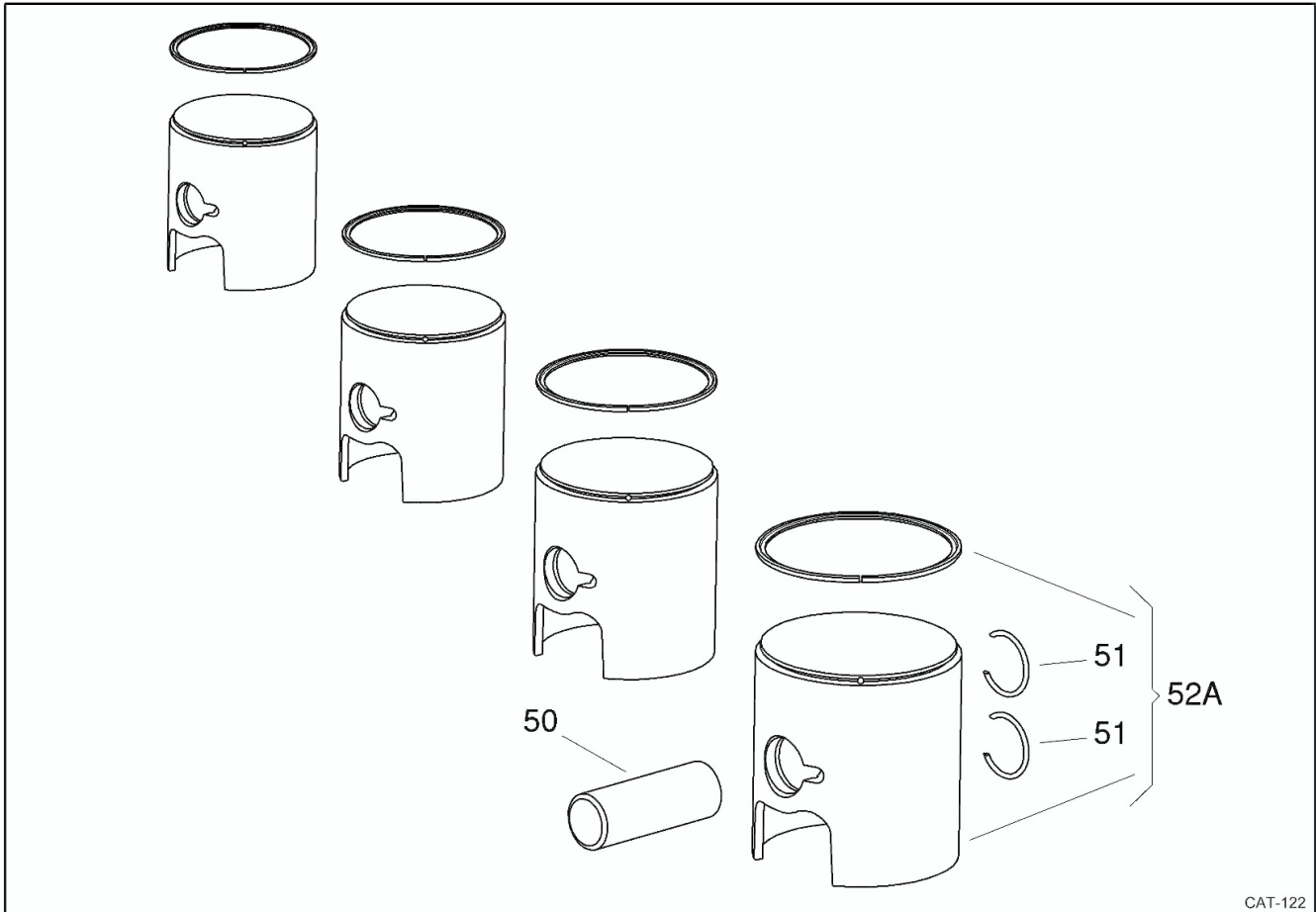


CAT-271/B

RICAMBI / SPARES

POS	COD	DESCR
001	X30125040	CYL. HEAD X30
002	10350	HEAD NUT
003	10635	HEAD NUT WASHER H=3mm
004	B-25840	TEMP. GAUGE PLUG
005	B-25845	TEMP. GAUGE PLUG GASKET
006	IFA-40500	WATER PIPE FITT. REEDST./KZ
008	F-38820	HEAD GASKET OR
009	B-25825	TIE-ROD GASKET OR STUD-BOLT
011	EBP-125045	CYL. GASKET 4/10 SUD-TOP/X30
011	EBP-125046	CYL.GASKET 2/10 SUD-TOP/X30
013A	X30125030	COMPL. CYLINDER PAR-X30
015	X30125020	IRON LINER PAR-X30
016	D-37049	HEAD GASKET OR 3237

PISTON

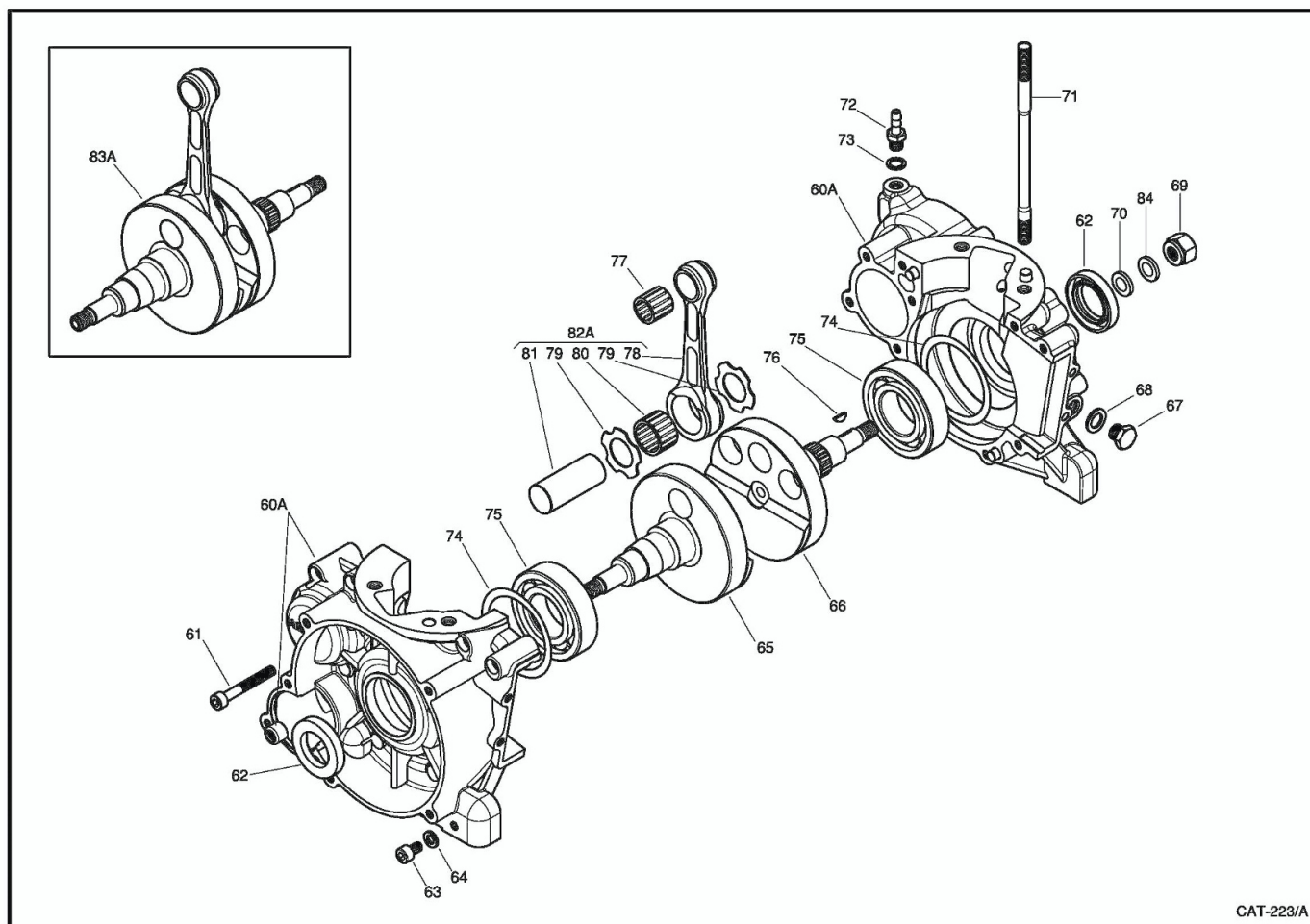


CAT-122

RICAMBI / SPARES

POS	COD	DESCR
050	B-30320-B	PISTON PIN 14x44 2^SEL
050	B-30320-G	PISTON PIN 14x44 3^SEL.
050	B-30320-R	PISTON PIN 14x44 1^SEL.
051	10341-A	CIRCLIP W/OUT TAILS
052A	BP-25051-CR	PISTON, COMPL. PR 54.00r
052A	BP-25051-CV	PISTON, COMPL. PR 54.00g
052A	BP-25056-CR	PISTON, COMPL. PR 54.02r
052A	BP-25056-CV	PISTON, COMPL. PR 54.02g
052A	BP-25058-CR	PISTON, COMPL. PR 54.05r
052A	BP-25058-CV	PISTON, COMPL. PR 54.05g
052A	BP-25061-CR	PISTON, COMPL. PR 54.10r
052A	BP-25061-CV	PISTON, COMPL. PR 54.10g
052A	BP-25066-CR	PISTON, COMPL. PR 54.12r
052A	BP-25066-CV	PISTON, COMPL. PR 54.12g
052A	BP-25068-CR	PISTON, COMPL. PR 54.15r
052A	BP-25068-CV	PISTON, COMPL. PR 54.15g
052A	BP-25071-CR	PISTON, COMPL. PR 54.20r
052A	BP-25071-CV	PISTON, COMPL. PR 54.20g
052A	BP-25076-CR	PISTON, COMPL. PR 54.22r
052A	BP-25076-CV	PISTON, COMPL. PR 54.22g
052A	BP-25081-CR	PISTON, COMPL. PR 54.25r
052A	BP-25081-CV	PISTON, COMPL. PR 54.25g
052A	BP-25086-CR	PISTON, COMPL. PR 54.27r
052A	BP-25086-CV	PISTON, COMPL. PR 54.27g

CRANKCASE & CRANKSHAFT

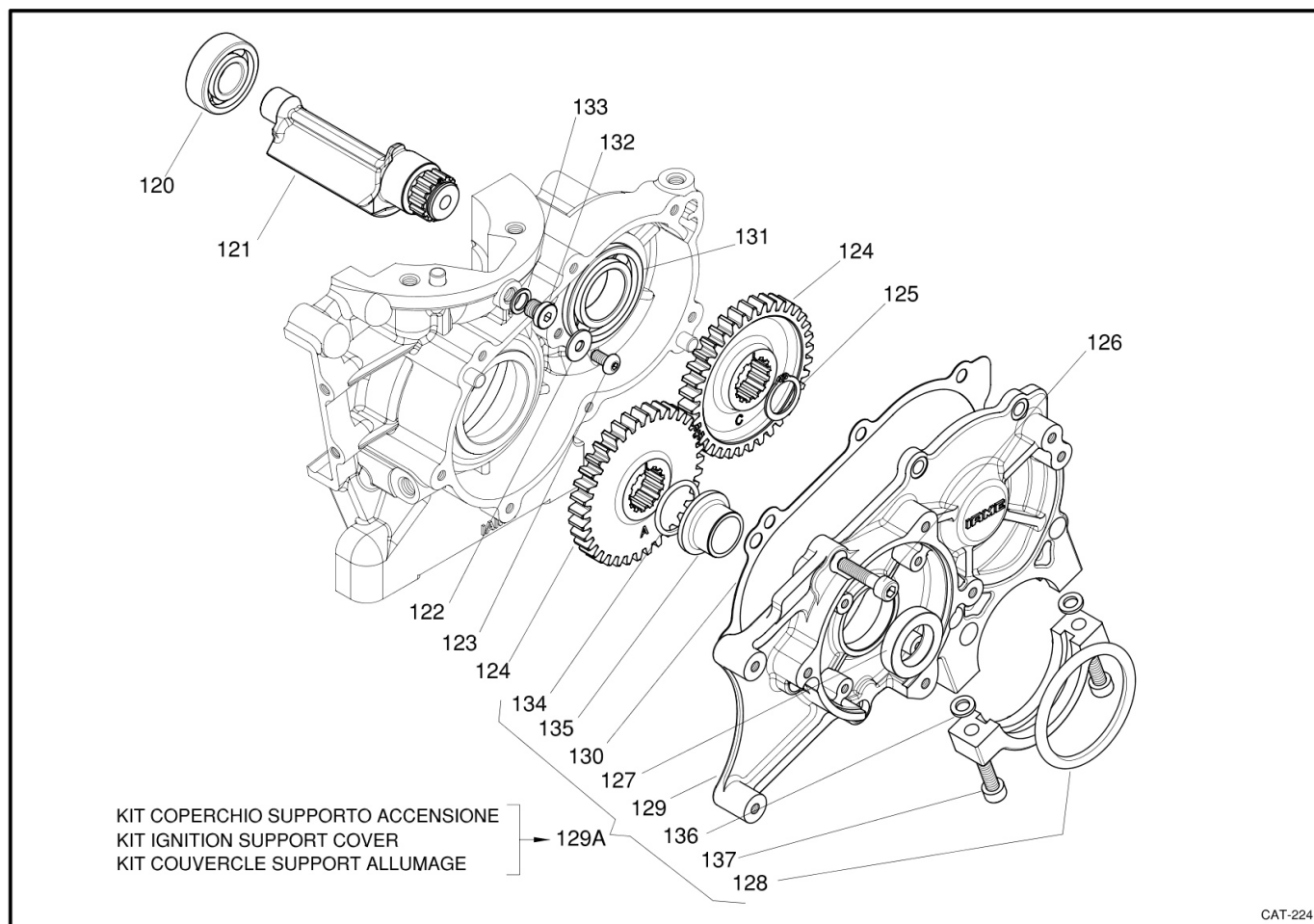


CAT-223/A

RICAMBI / SPARES

POS	COD	DESCR
060A	X30125485-C	CRANKCASE W/CAGE X30
061	00049-K	KIT OF 20 ALLEN SCREWS 6x45
062	X30125425A	OIL SEAL MAGN./DRIVE SIDE
063	00059-K	20 FIXING CABLE SCREWS KIT
064	00302-K	20 WASHERS KIT M6
065	X30125385	DR.S.H.CRANKSHAFT PAR-X30
066	X30125390	MAGN.S.H.CRANKSHAFT PAR-X30
067	B-25840	TEMP. GAUGE PLUG
068	B-25845	TEMP. GAUGE PLUG GASKET
070	00304-K	KIT OF 20 WASHERS M10
071	B-25347	CYLINDER TIE-ROD 8x153
072	D-95800	PRESSURE FITTING
073	B-71805	PRESSURE Cu FITT. GASKET
074	X30125405	STEEL SHIM 0.10 PAR-X30
074	X30125406	STEEL SHIM 0.15 PAR-X30
075	X30125396A	BALL BEARING SKF 6206 PAR-X30
076	10375	MAGNETO/SPROCKET SHAFT END KEY
077	E-10440	SMALL END CAGE
079	X30125436	SILVER BRONZE WASHER
080	X30125431	BIG END CAGE
081	X30125450	CRANKPIN 20x48.8
082A	IFC-50100-C	CONROD mm 102-pin 48.8 X30
083A	X30125617	CRANKSHAFT C.PAR-X30
084	00342-K	KIT 20 WASHERS -10,5x18x0,8

BALANCING SHAFT

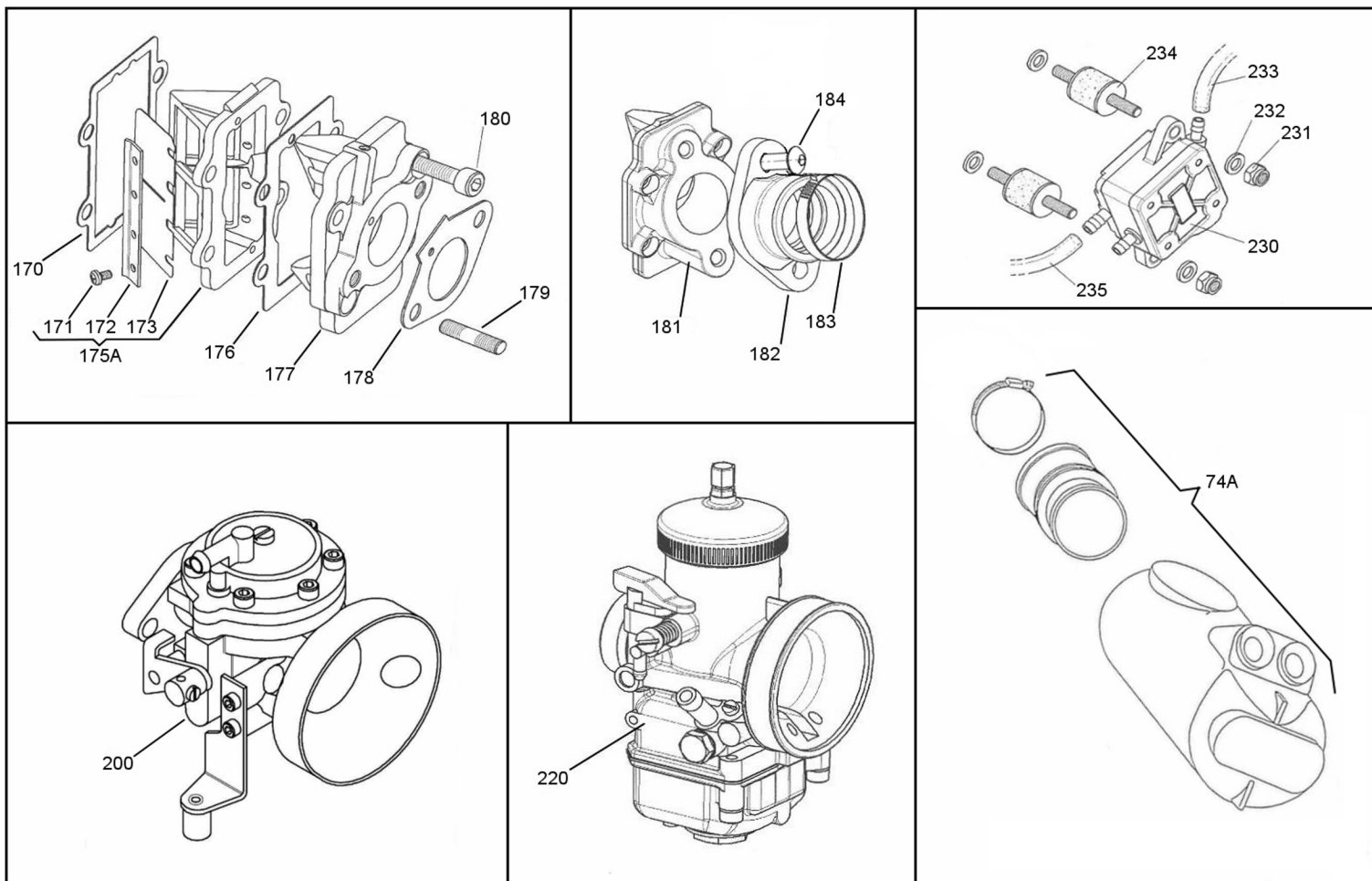


CAT-224

RICAMBI / SPARES

POS	COD	DESCR
120	IMB-20100	BALL BEARING 6202 T1XC4
121	X30125750	BALANCING SHAFT PAR-X30
122	00313-K	KIT 20 WASHERS M5x15
123	00257-K	20 SCREWS KIT M5x10
124	X30125755B	BALANCING SHAFT GEAR X30
125	X30125758	SEEGER SHAFT GEAR
126	00042-K	20 VALVE FIXING SCREWS KIT
127	X30125880	OIL SEAL TC 22x32x7
128	X30125853	DAMPENER OR
129	X30125875A	IGNIT. SUPP. COVER PAR-X30 n.t.
129A	X30125875A-C	KIT IGNITION SUPPORT COVER-X30
130	X30125878	COVER GASKET PAR-X30
131	X30125746A	6005 BALL BEARING
132	X30125490	PRESSURE PLUG
133	B-71805	PRESSURE Cu FITT. GASKET
134	X30125762	GASKET OR PAR-X30
135	X30125760	GEAR SPACER PAR-X30
136	00302-K	20 WASHERS KIT M6
137	00045-K	20 SOCKET HEADSCREWS M6X25 KIT

AMMISSIONE

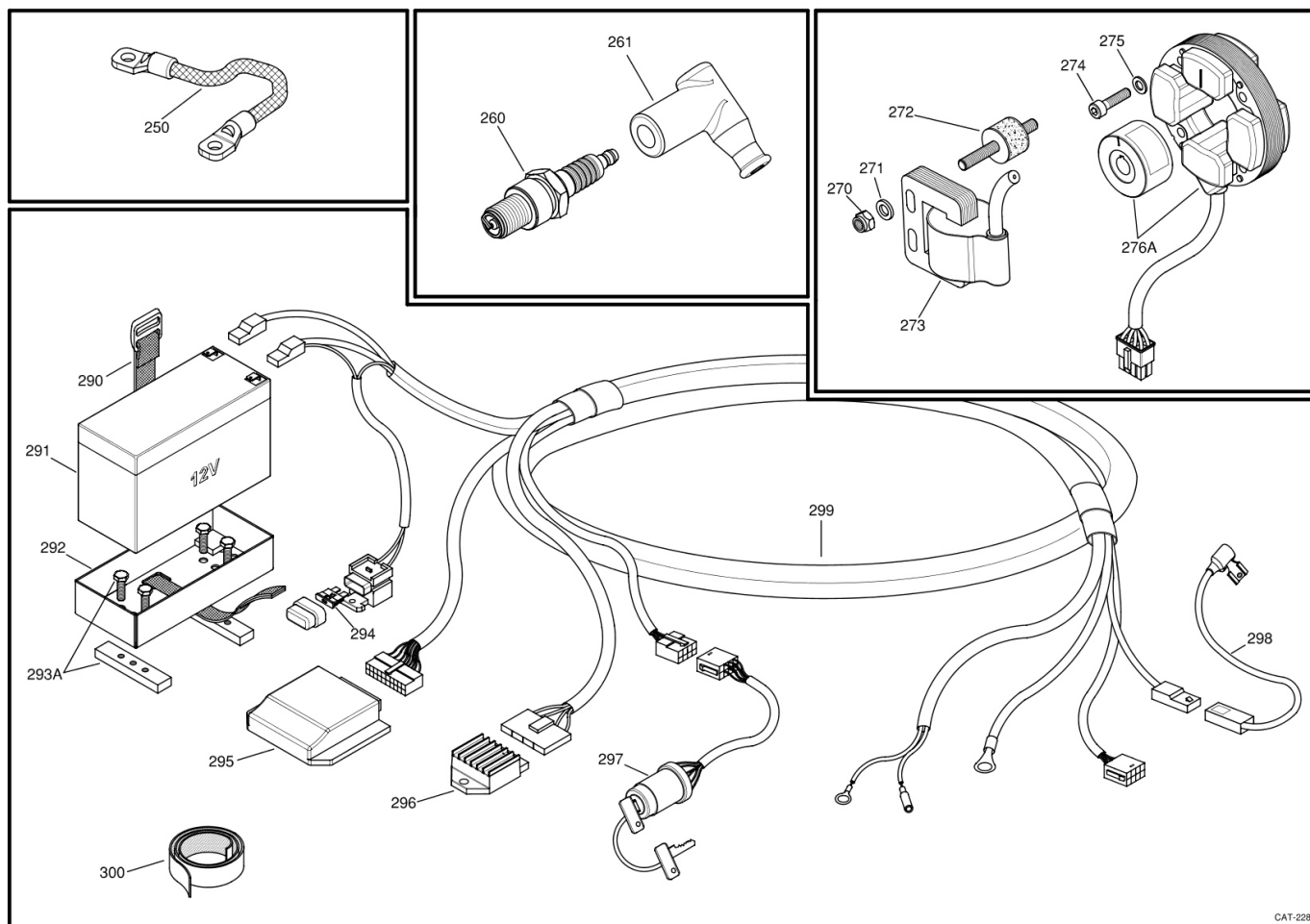


CAT-281/G

RICAMBI / SPARES

POS	COD	DESCR
074A	10743	INTAKE SILENCER
170	X30125810	REED GR. GASKET PAR-X30
171	10380	REEDS SCREW
172	F-11845A	REED CLIPS
173	F-11840-C	KIT 2 TOP R.PETAL 0,24/0,25
175A	F-11830B-C	REEDS GROUP TOP
176	F-11805	TOP CONVEYOR GASKET
177	X30125815	CONVEYOR mm.28 PAR-X30
178	10360-A	CARBURETOR GASKET
179	F-40525	STUDBOLT M6x30
180	00045-K	20 SOCKET HEADSCREWS M6X25 KIT
181	IFB-41000	CONVEYOR XTR KF4
182	IFG-30900	CARB.MANIFOLD XTR KF4
183	IFG-31100	CLAMP REEDSTER/XTR
184	00081-K	
200	10948A	CARBURETOR TRYTON HB27-C mm.27
220	IFG-00100	DELL'ORTO CARBURETOR VHSH
230	A-61980	PUMP MINI/BABY-SW-REEDSTER
231	00378-K	20 SELF LOCKING NUTS KIT M6
232	00302-K	20 WASHERS KIT M6
233	IFG-31200	PRESSURE FITTING TUBE
234	IFG-40800	DAMPENER REEDSTER/XTR/MINI
235	IFG-31300	FUEL PIPE REEDSTER/XTR

ELECTRONIC IGNITION

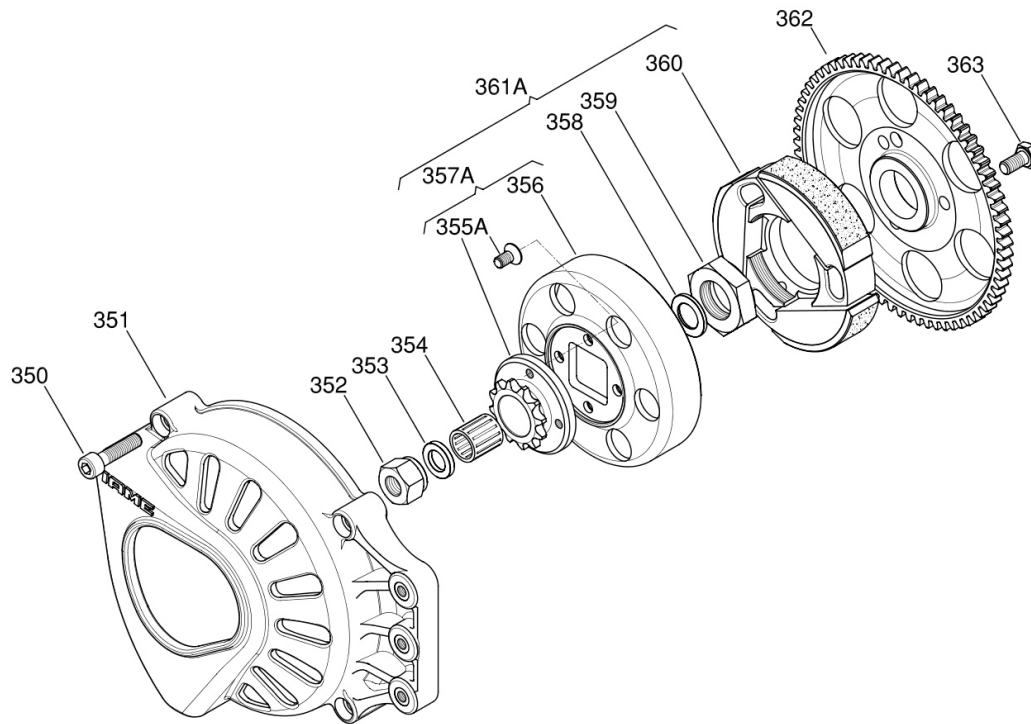


CAT-228

RICAMBI / SPARES

POS	COD	DESCR
250	B-35805-A	COIL GROUND CABLE
260	10561	SPARK PLUG NGK BR9EG
260	10561-A	SPARK PLUG NGK BR10EG
261	10544	PVL SPARK CAP
270	00378-K	20 SELF LOCKING NUTS KIT M6
271	00302-K	20 WASHERS KIT M6
272	B-35810-A	COIL DAMPENNER SELETTRA
273	X30125955	SELETTRA COIL K
274	00034-K	KIT OF 20 ALLEN SCREWS 5x25
275	00301-K	KIT 20 WASHERS M5
276A	X30125950	SELETTRA IGNITION PAR-X30
290	A-60904A	FIXING STRIP FOR BATTERY
291	X30125900	SPARE PART F
292	X30125905	BATTERY SUPPORT
293	X30125906-C	BATTERY SUPP.CLAMP W/SCREWS
294	X30125942	FUSIBLE 5A X30
295	X30125930C	MINI POWER UNIT TYPE C
296	X30125941	RELAY PAR-X30
297	X30125936-C	STARTER KEYS ASSEMBLY
298	A-60934A	STARTER CABLE
299	X30125935-C	KIT CABLES W/CONNECTORS
300	X30125925	VELCRO FIXING STRAP

CLUTCH GROUP

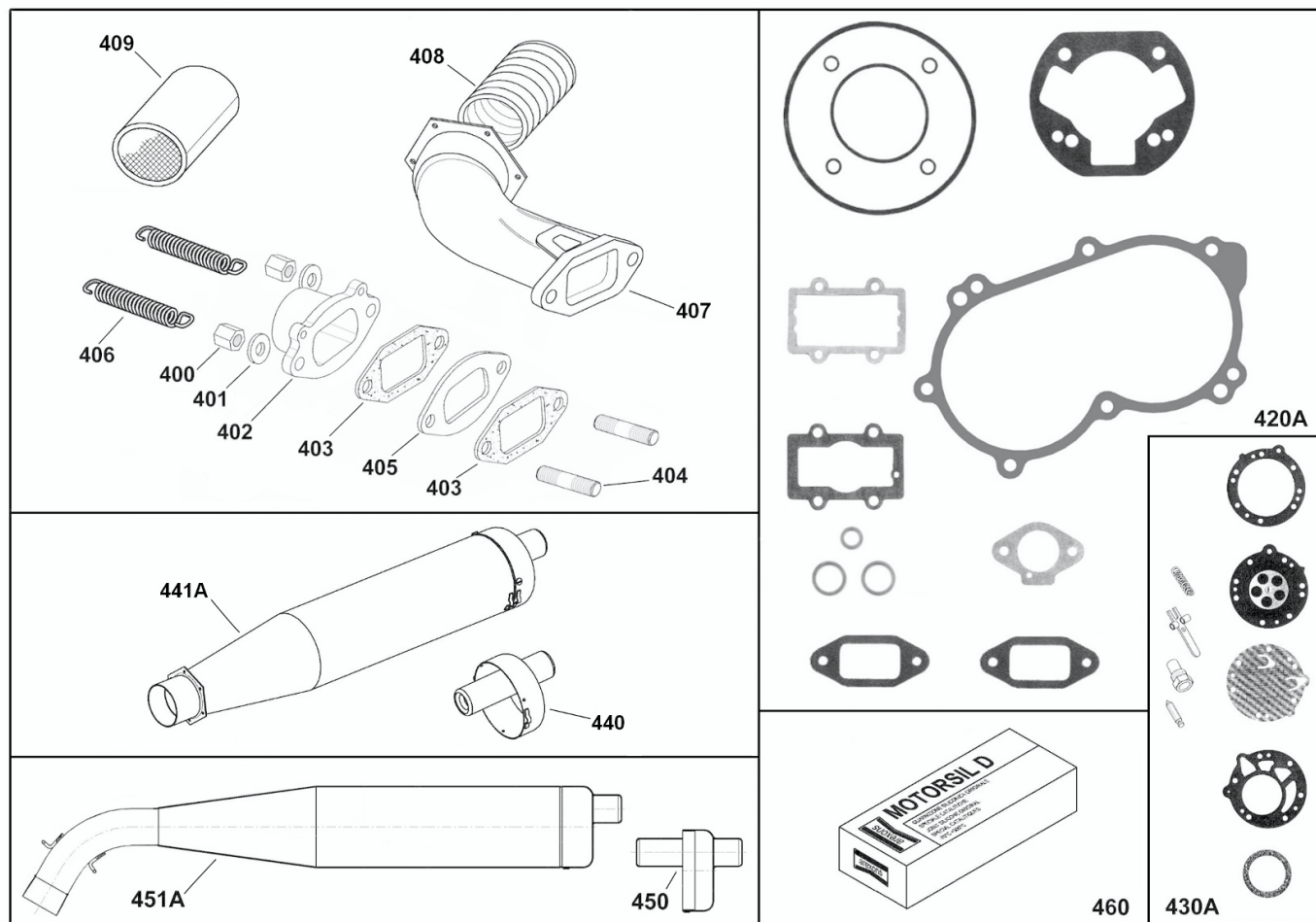


CAT-226

RICAMBI / SPARES

POS	COD	DESCR
350	00045-K	20 SOCKET HEADSCREWS M6X25 KIT
351	X30125595	CLUTCH GUARD PAR-X30
352	D-75570	STARTER NUT TaG
353	D-75573	EXTERNAL WASHER
354	D-75598	CLUTCH ROLLER CAGE TaG
355A	X30125554-C	SPROCKET Z10 W/SCREWS
355A	X30125555-C	SPROCKET Z11 W/SCREWS
355A	X30125556-C	SPROCKET Z12 W/SCREWS
355A	X30125557-C	SPROCKET Z13 W/SCREWS
356	X30125550	CLUTCH DRUM X30
357A	X30125550-C	DRUM W/SPROCK. Z10 X30
357A	X30125551-C	DRUM W/SPROCK. Z11 X30
357A	X30125552-C	DRUM W/SPROCK. Z12 X30
358	D-75565	THRUST INT.WASHER H=1,8mm
359	X30125560	RING LOCKING NUT
360	X30125840	PADDED HUB X30
361A	X30125840-C	CLUTCH GROUP Z10 X30
361A	X30125841-C	CLUTCH GROUP Z11 X30
361A	X30125842-C	CLUTCH GROUP Z12 X30
362	X30125830	STARTER DR.WHEEL Z70 X30
363	00161-K	KIT OF 20 HEX. SCREWS 6x12

GRUPPO SCARICO & SERIE GUARNIZIONI

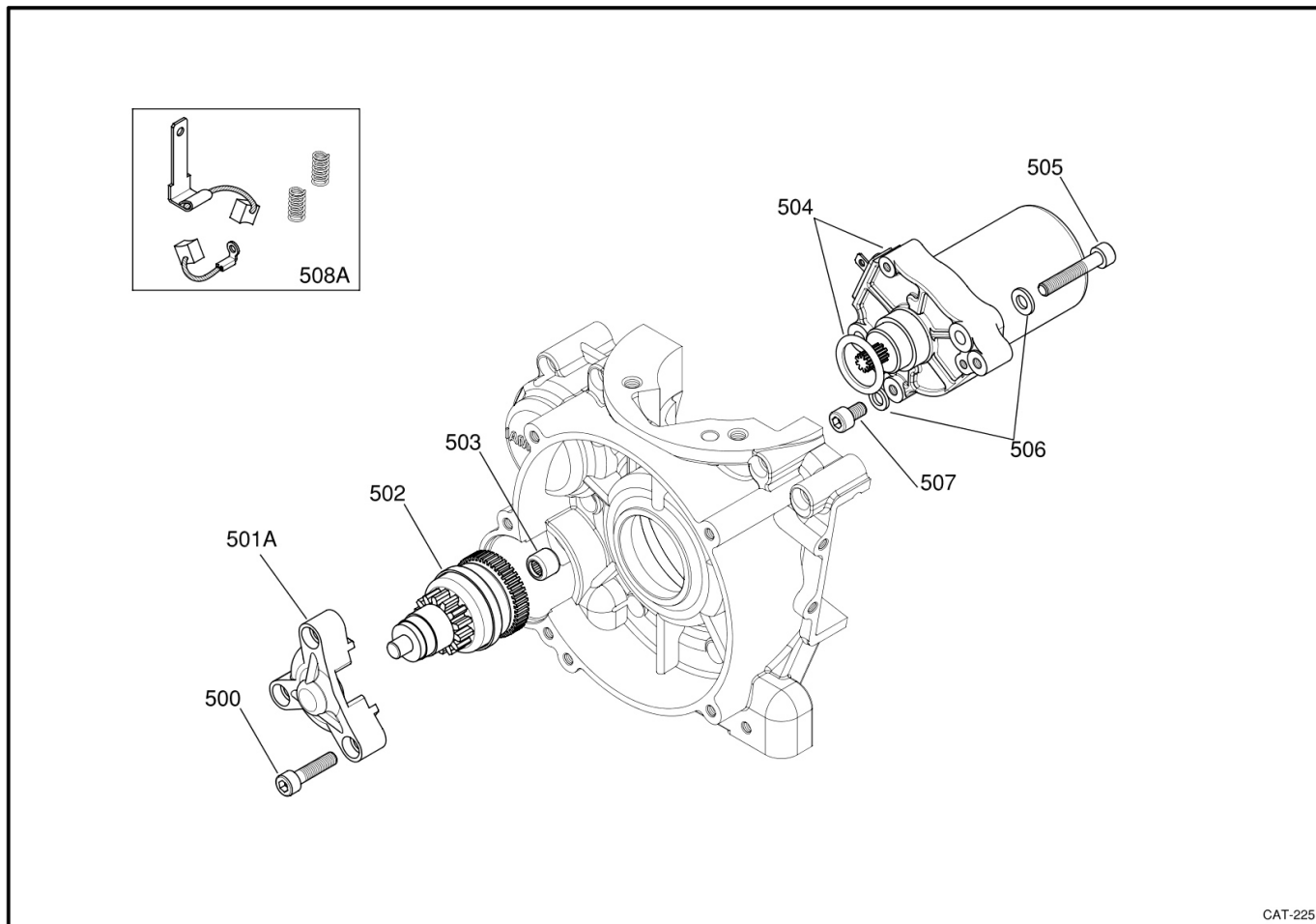


CAT-231/C

RICAMBI / SPARES

POS	COD	DESCR
400	B-71662	8mm EXHAUST NUT
401	00332-K	KIT OF 20 ELAST.WASHERS M8
402	GBP-125366	125 PRE-J EXHAUST FITTING
403	B-75360	EXHAUST GASKET
404	B-25347	CYLINDER TIE-ROD 8x153
405	GBP-125370	EXHAUST PIPE SPACER
406	10784	FLEXIBLE SPRING L=65
407	X30125365	EXHAUST PIPE X30
408	10711-B	FLEXIBLE L=13 cm.
409	A-60736	SILICONE SHEATH
420A	X30125990	GASKETS SET PAR-X30
430A	10949A	KIT CARB. HB27 VALV D. 1,6
440	X30125721	SILENCER END X30
441A	X30125718	SILENCER PAR-X30
450	X30125721	SILENCER END X30
451A	S1240	X30-USA INTEGRAL MUFFLER
460	00602	LIQUID GASKET AREXON

ELECTRIC STARTER GROUP



CAT-225

RICAMBI / SPARES

POS	COD	DESCR
500	00045-K	20 SOCKET HEADSCREWS M6X25 KIT
501	A-60870-C	KIT COUNTERSHAFT SUPP.
502	A-120855A	TAG STARTER COUNTERSHAFT
503	A-60865	ROLLER CAGE TaG
504	A-120850A-C	TaG STARTER
505	00047-K	KIT OF 20 ALLEN SCREWS 6x35
506	00302-K	20 WASHERS KIT M6
507	00059-K	20 FIXING CABLE SCREWS KIT
508A	A-60852A-C	KIT OF BRUSHES FOR STARTER

WATER COOLING SYSTEM

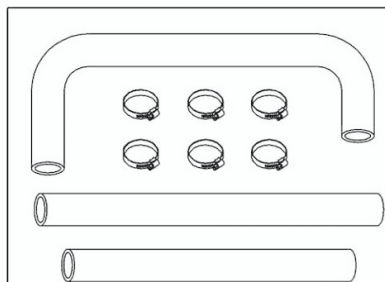


Fig. 550A
Kit n° T-8301A-C

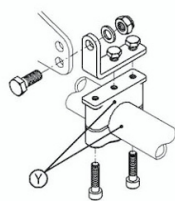


Fig. 555A

DIAMETRI - DIAMETERS
DIAMETRES

Y= 28mm : Kit n° T-8117-C
Y= 30mm : Kit n° T-8117-C1
Y= 32mm : Kit n° T-8117-C2

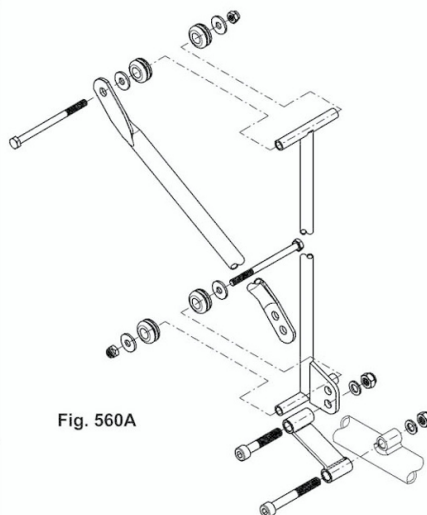


Fig. 560A

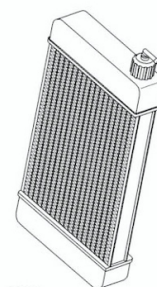
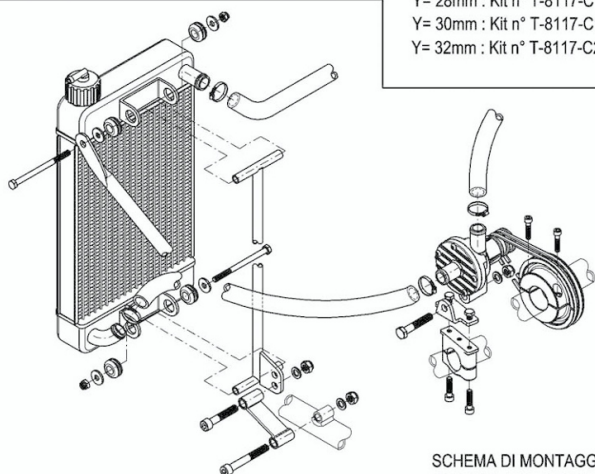


Fig. 570



Fig. 590A



IMPIANTO PER RAFFREDDAMENTO LIQUIDO
WATERCOOLED ENGINE DEVICE
EQUIPEMENT REFROIDISSEMENT LIQUIDE

SCHEMA DI MONTAGGIO
ASSEMBLING LAYOUT
SCHEMA DE MONTAGE

NOTE

Il gruppo POMPA comprende il SUPPORTO, la PULEGGIA e gli ANELLI di gomma.

The PUMP group includes CLAMP, PULLEY and rubber RINGS.

Le groupe POMPE comprend le SUPPORT, la POULIE et les COURROIES.

DIAMETRI - DIAMETERS - DIAMETRES

K=30mm + W=30mm : Kit n° T-8202-C

K=30mm + W=35mm : Kit n° T-8202-C1

K=30mm + W=40mm : Kit n° T-8202-C2

K=32mm + W=40mm : Kit n° T-8202-C3

K=32mm + W=35mm : Kit n° T-8202-C4

K=30mm + W=50mm : Kit n° T-8202-C5

K=32mm + W=50mm : Kit n° T-8202-C6

K=32mm + W=30mm : Kit n° T-8202-C7

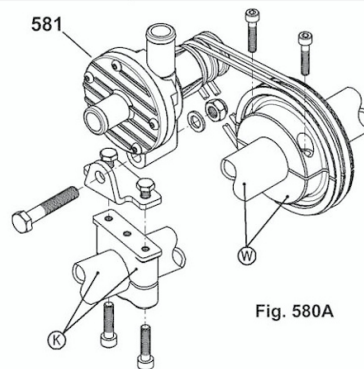


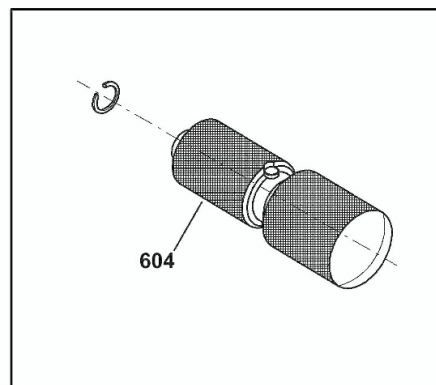
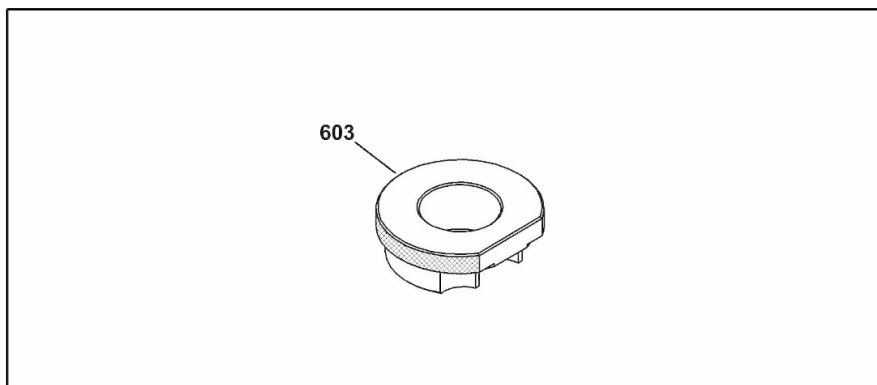
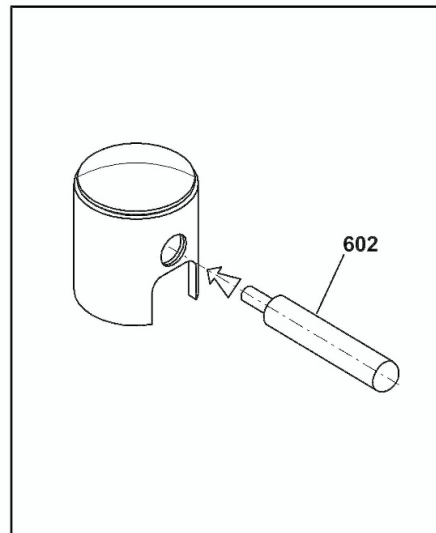
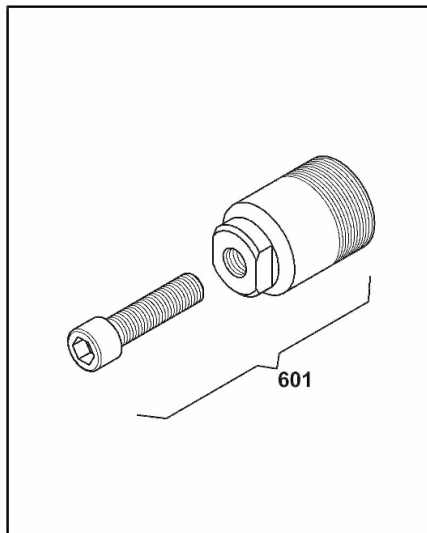
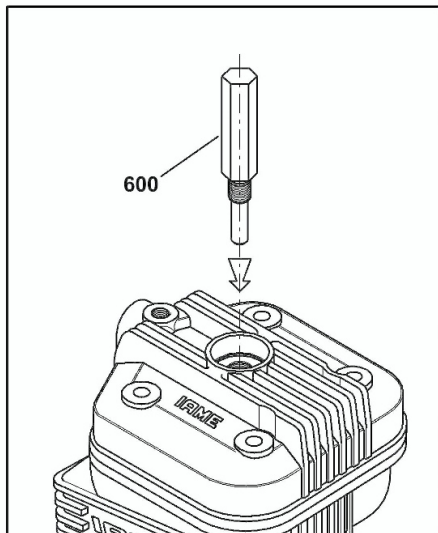
Fig. 580A

CAT-244/A

RICAMBI / SPARES

POS	COD	DESCR
550A	T-8301B-C	COMPLETE PIPE KIT n.t.
555A	T-8117-C	RADIATOR CLAMP KIT mm 28
555A	T-8117-C1	RADIATOR CLAMP KIT mm 30
555A	T-8117-C2	RADIATOR CLAMP KIT mm 32
560A	T-8133-C	RADIATOR SUPPORT KIT
560A	T-8135-C	RADIATOR LONG SUPP. KIT
570	T-8000A	RADIATOR
570	T-8000B	RADIATOR L=410mm
580A	T-8202-C	PUMP GROUP mm 30/30
580A	T-8202-C1	PUMP GROUP mm 30/35
580A	T-8202-C2	PUMP GROUP mm 30/40
580A	T-8202-C3	PUMP GROUP mm 32/40
580A	T-8202-C4	PUMP GROUP mm 32/35
580A	T-8202-C5	PUMP GROUP mm 30/50
580A	T-8202-C6	PUMP GROUP mm 32/50
580A	T-8202-C7	PUMP GROUP mm 32/30
581	T-8202	WATER PUMP n.t.
590A	T-8400-C	THERMOSTAT 50° COMPL.

PULLER & TOOLS

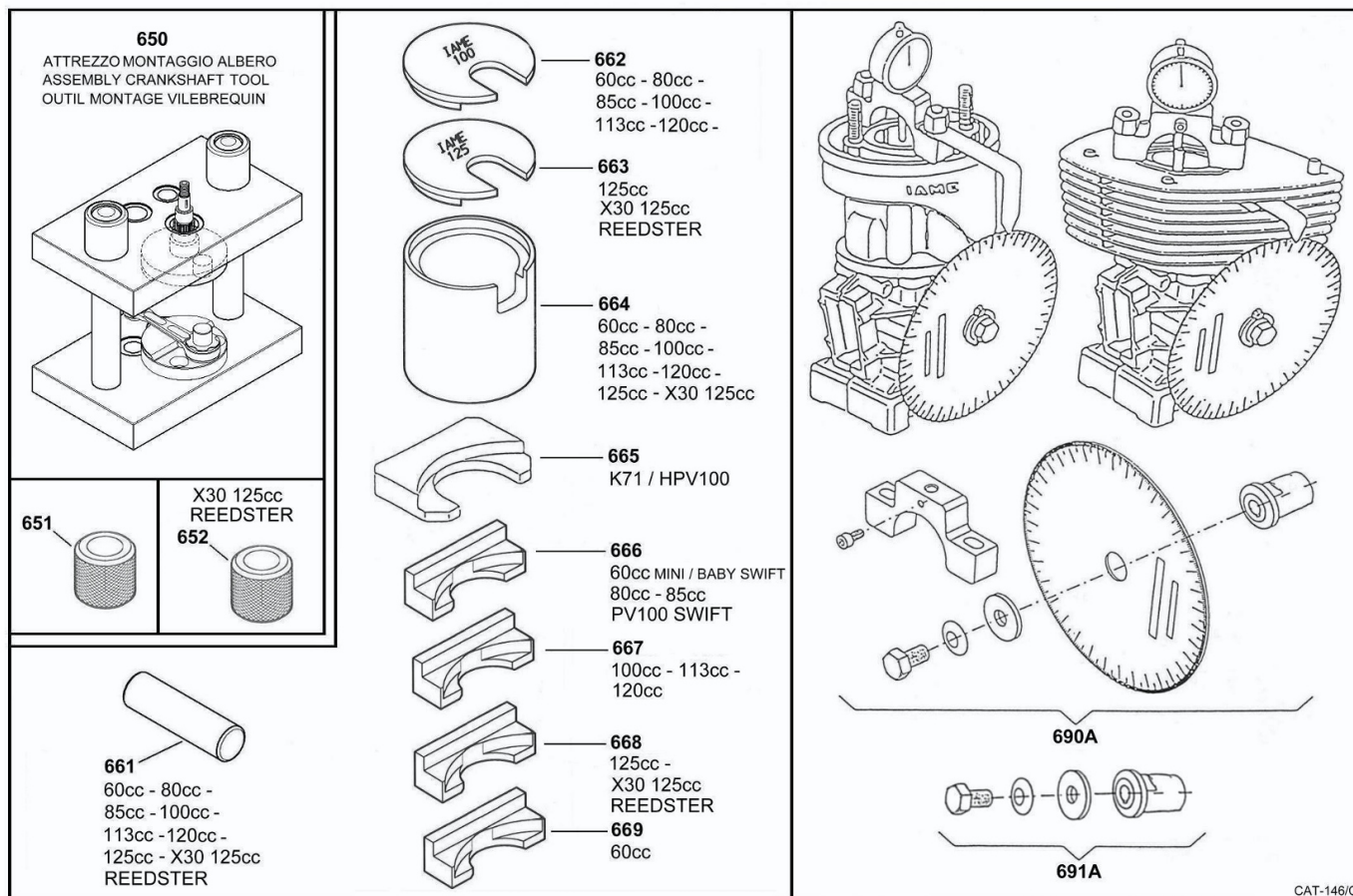


CAT-229

RICAMBI / SPARES

POS	COD	DESCR
600	10271	PISTON STROKE LOCKER
601	10272-C	CLUTCH PULLER
601/B	10159	CLUTCH PULLER WRENCH 12mm
602	10200	PISTON PIN PUNCH 125cc
603	S884	STARTER DRIVE WHEEL HOLD. TOOL
604	10120	CIRCLIP ASSEMBLING TOOL

Cranksh.Ass./Disass. Timing control group



RICAMBI / SPARES

POS	COD	DESCR
650	10110A	CRANKSHAFT ASSY TOOL
652	10150A	CRANK-PIN BUSH mm20
661	10107	CRANK-PIN PUSHER
663	10104A	CRANKSHAFT PLATE 125cc
664	10100	CRANKSH. DISASSY SUPPORT
668	10106	CRANKSHAFT INSERT 125cc
690A	10820A	TIMING GROUP TaG/REEDSTER
691A	10828-C	TAG COMPLETE TIMING GROUP