

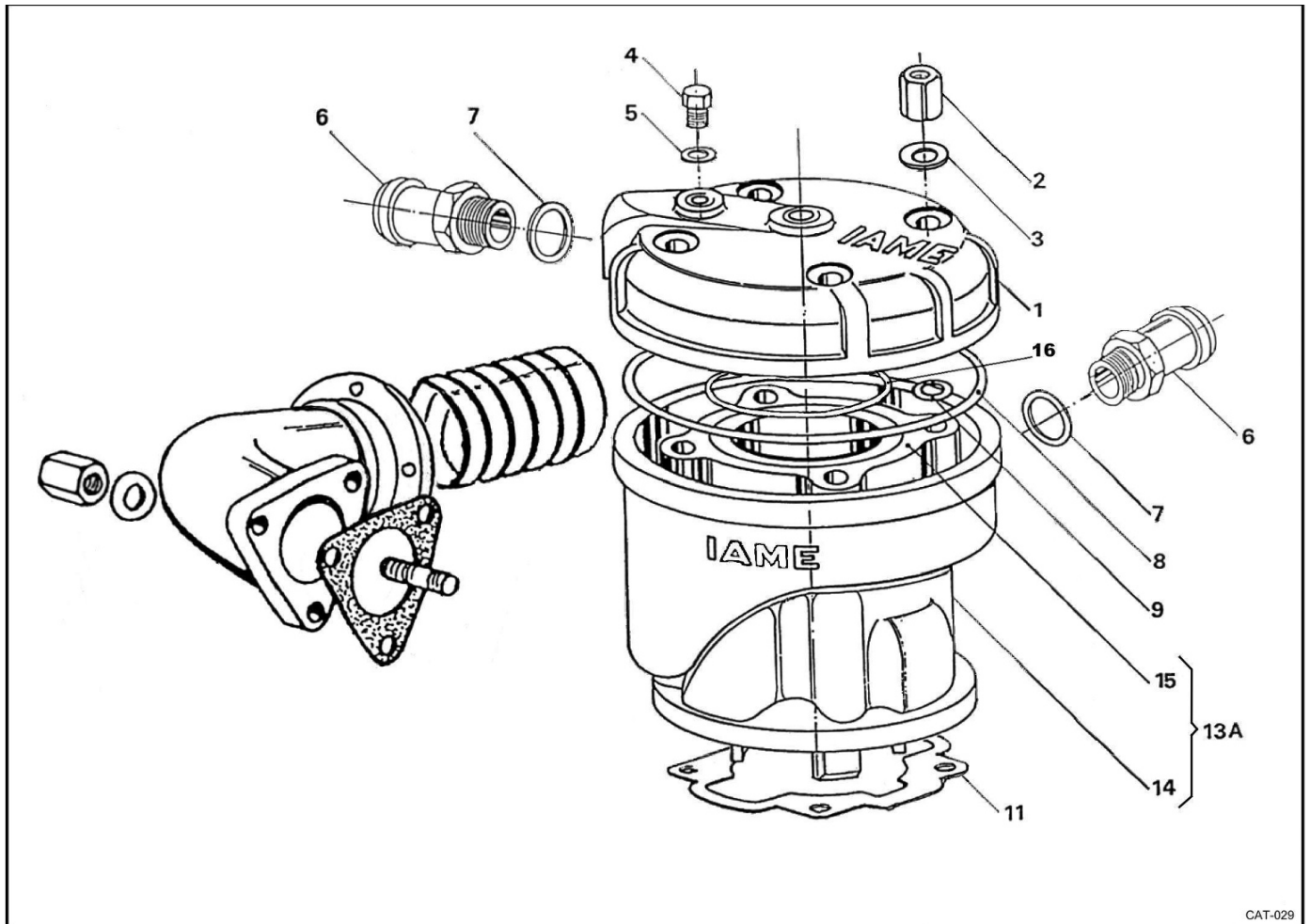
**IAME**

The heart of kart

**PARILLA - LEOPARD 125cc USA**



# HEAD AND CYLINDER

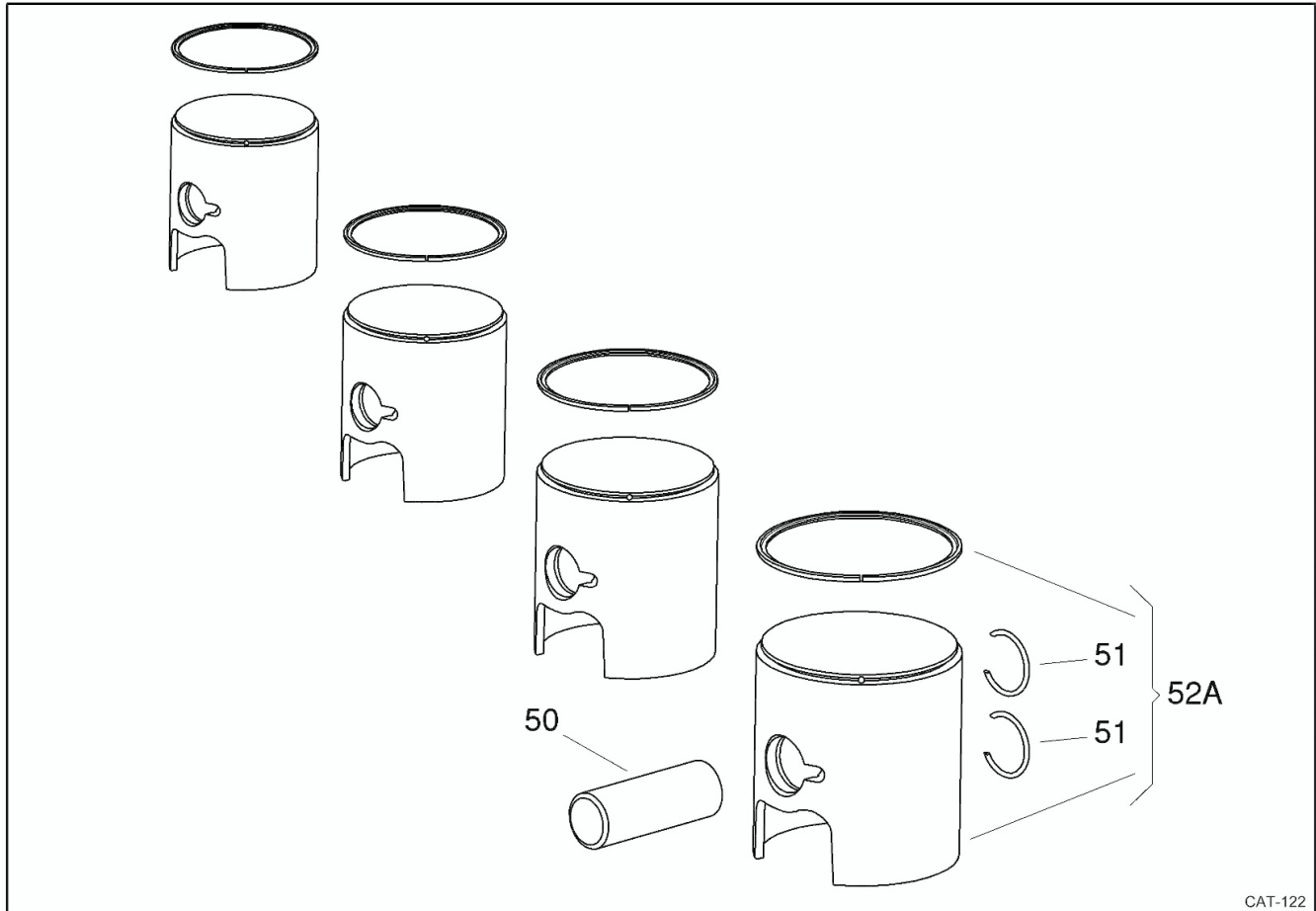


CAT-029

## RICAMBI / SPARES

POS	COD	DESCR
001	A-125041	CYL. HEAD LEOPARD/K25
002	10350	HEAD NUT
003	10635	HEAD NUT WASHER H=3mm
004	B-25840	TEMP. GAUGE PLUG
005	B-25845	TEMP. GAUGE PLUG GASKET
006	IFA-40500	WATER PIPE FITT. KF1-2-3
008	B-25820	HEAD GASKET OR 4487
009	B-25825	TIE-ROD GASKET OR
011	BP-25045	CYL. GASKET 4/10
011	BP-25046	CYL. GASKET 2/10
013A	A-125036	CYLINDER LEOP-125-TaG-USA
014	A-125016	CYL. BARREL LEOP-125-USA-TaG
015	A-125026	IRON LINER LEOP-125-USA-TaG
016	DBP-95049	HEAD GASKET OR 3243

# PISTON

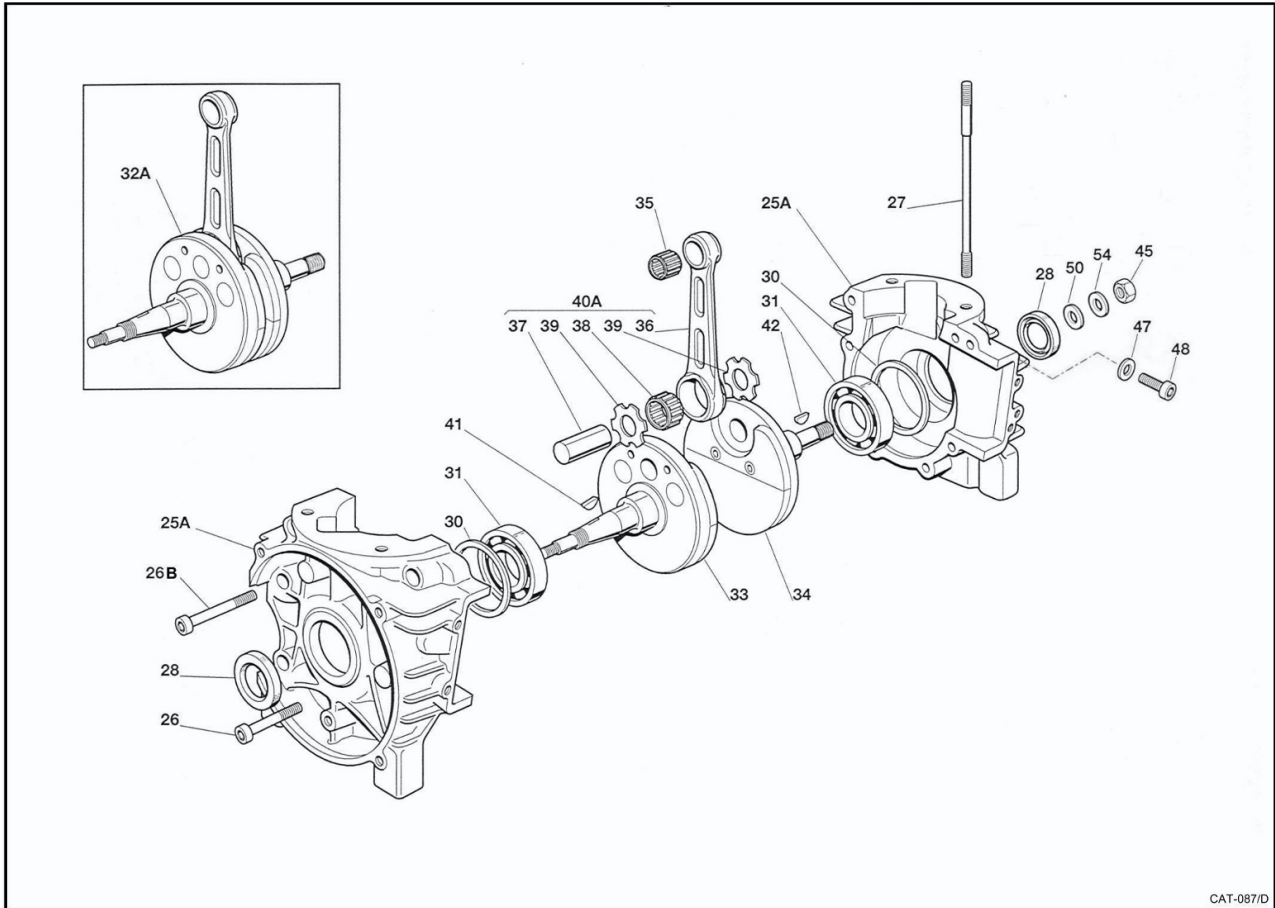


CAT-122

## RICAMBI / SPARES

POS	COD	DESCR
022	B-30320-B	PISTON PIN 14x44 2^SEL
022	B-30320-G	PISTON PIN 14x44 3^SEL.
022	B-30320-R	PISTON PIN 14x44 1^SEL.
023	10341-A	CIRCLIP W/OUT TAILS
024A	BP-25051-CR	PISTON, COMPL. PR 54.00r
024A	BP-25051-CV	PISTON, COMPL. PR 54.00g
024A	BP-25056-CR	PISTON, COMPL. PR 54.02r
024A	BP-25056-CV	PISTON, COMPL. PR 54.02r
024A	BP-25058-CR	PISTON, COMPL. PR 54.05r
024A	BP-25058-CV	PISTON, COMPL. PR 54.05g
024A	BP-25061-CR	PISTON, COMPL. PR 54.1 r
024A	BP-25061-CV	PISTON, COMPL. PR 54.1 g
024A	BP-25066-CR	PISTON, COMPL. PR 54.12r
024A	BP-25066-CV	PISTON, COMPL. PR 54.12g
024A	BP-25068-CR	PISTON, COMPL. PR 54.15r
024A	BP-25068-CV	PISTON, COMPL. PR 54.15g
024A	BP-25071-CR	PISTON, COMPL. PR 54.2 r
024A	BP-25071-CV	PISTON, COMPL. PR 54.2 g
024A	BP-25076-CR	PISTON, COMPL. PR 54.22r
024A	BP-25076-CV	PISTON, COMPL. PR 54.22g
024A	BP-25081-CR	PISTON, COMPL. PR 54.25r
024A	BP-25081-CV	PISTON, COMPL. PR 54.25g
024A	BP-25086-CR	PISTON, COMPL. PR 54.27r
024A	BP-25086-CV	PISTON, COMPL. PR 54.27g

# CRANKCASE & CRANKSHAFT

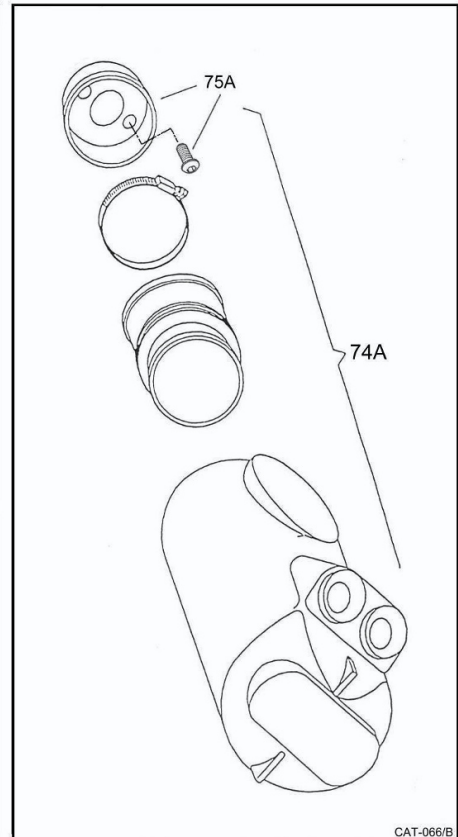
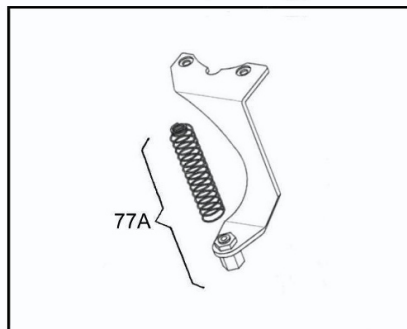
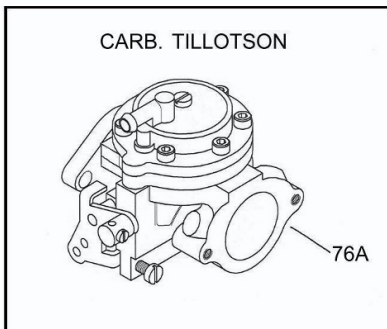
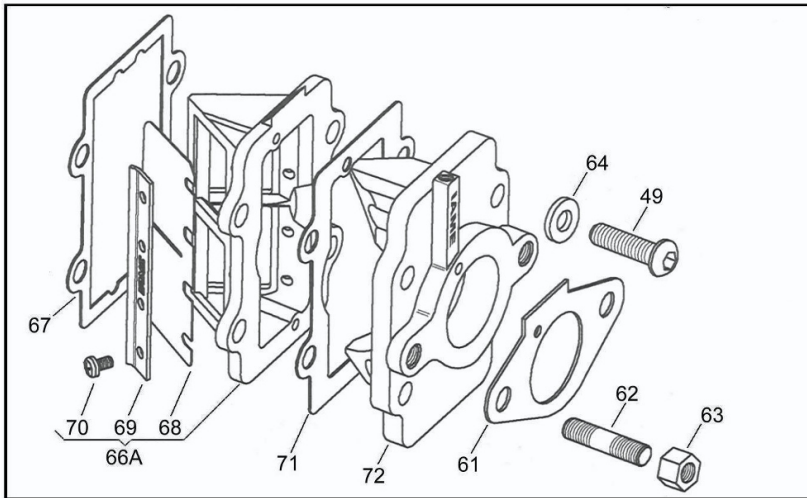


CAT-087/D

## RICAMBI / SPARES

POS	COD	DESCR
025A	A-125485A	CRANKCASE LEOP/EASY-125
026	00049-K	KIT OF 20 ALLEN SCREWS 6x45
026B	00051-K	KIT OF 20 ALLEN SCREWS 6x55
027	B-25347	CYLINDER TIE-ROD 8x153
028	F-10425A	OIL SEAL TCWJ 20x35x7 n.t.
030	30404	STEEL SHIM 0.15
030	30407	STEEL SHIM 0.10
031	35396	BALL BEARING 6205-C4
032A	A-125617B	CRANKSHAFT LEOP/EASY-125
033	A-125385	DR.S.H.CRANKSH.LEOP/EASY125
034	A-125390A	MAGN.S.H.CRANKSH.LEOP/EASY
035	E-10440	SMALL END CAGE
036	DBP-95458	CONROD mm 102 PAR
037	B-36451	CRANKPIN mm.47
038	B-10431	BIG END CAGE 15 R
039	E-38436	BRONZE WASHER
040A	DBP-95458-47	CONROD mm 102-pin 47 PAR/KOM
041	11715	SHAFT END/SPROCKET/MAGNETO KEY
042	10375	MAGNETO/SPROCKET SHAFT END KEY
045	00382	NUT M10x1
050	00305-K	KIT OF 20 WASHERS M10
054	00342-K	KIT 20 WASHERS -10,5x18x0,8

# INLET

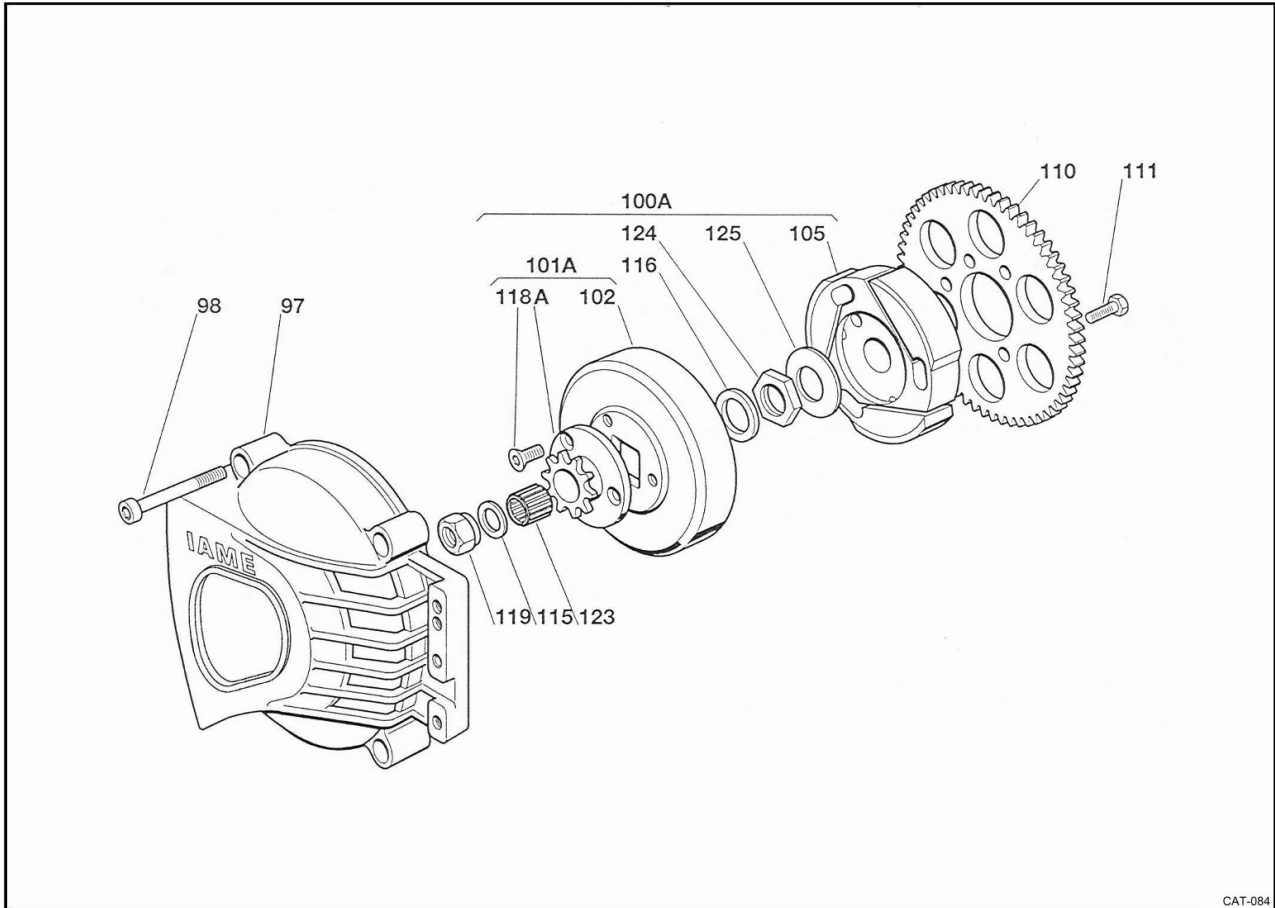


CAT-066/B

## RICAMBI / SPARES

POS	COD	DESCR
049	00265-K	KIT OF 20 ALLEN SCREWS 6x25
061	10360-A	CARBURETOR GASKET
062	10525	FIX.CARB.STUDBOLT 6x25
063	00351-K	20 HEXAGONAL NUTS KIT M6
064	00302-K	20 Cu WASHERS KIT
066A	11828-A	RUBBER REEDS GROUP
067	11810	CRANKCASE MANIFOLD GASKET
068	11840	REED PETAL 0.30-0.35
069	F-11845	REEDS PETAL
070	10380	REEDS SCREW
071	11805-A	MANIFOLD CARB GASKET
072	B-75817A	CONVEYOR IAME mm.27
074A	10745-C	COMPL.INTAKE SILENCER R&R
075A	10771-C	INTAKE SILENCER FITTING
076A	10916B	CARBURETOR TILL.HL334AB 23mm
077A	B-35520-C	CARBURETOR LEVER

# CLUTCH GROUP



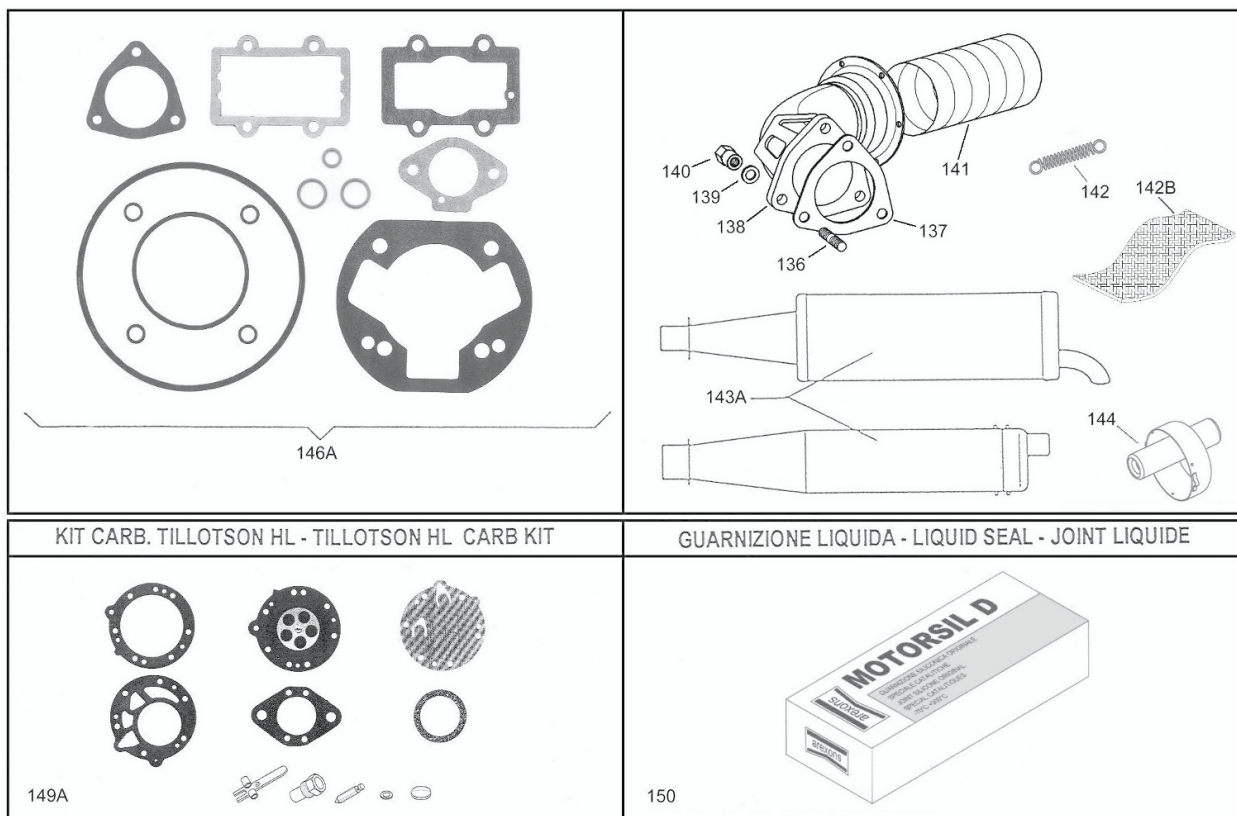
CAT-084

## RICAMBI / SPARES

POS	COD	DESCR
097	A-60595B	CLUTCH GUARD TaG
098	00048	SCREW TCEI M mm.6x40
100A	A-120840B-C	CLUTCH GROUP z10-TaG
100A	A-120841B-C	CLUTCH GROUP z11-TaG
101A	A-60550-C	SPROCKET DRUM z10
101A	A-60551-C	SPROCKET DRUM z11
102	A-60550	SPROCKET DRUM
105	A-120840B	PUDDED HUB 85/120/125cc
110	A-100830	STARTER DRIVER WHEEL z66
111	00161-K	KIT OF 20 HEX. SCREWS 6x12
115	D-75573	EXTERNAL WASHER
116	D-75565	THRUST INT.WASHER H=1,8mm
118A	D-75554-C	SPROCKET z10-TaG
118A	D-75555-C	SPROCKET z11-TaG
119	D-75570	STARTER NUT TaG
123	D-75598	CLUTCH ROLLER CAGE TaG
124	A-60560	LOCKING NUT TaG
125	D-75563	WASHER CONED SAF.TaG



# EXHAUST GROUP & GASKETS SET



KIT CARB. TILLOTSON HL - TILLOTSON HL CARB KIT

GUARNIZIONE LIQUIDA - LIQUID SEAL - JOINT LIQUIDE

149A

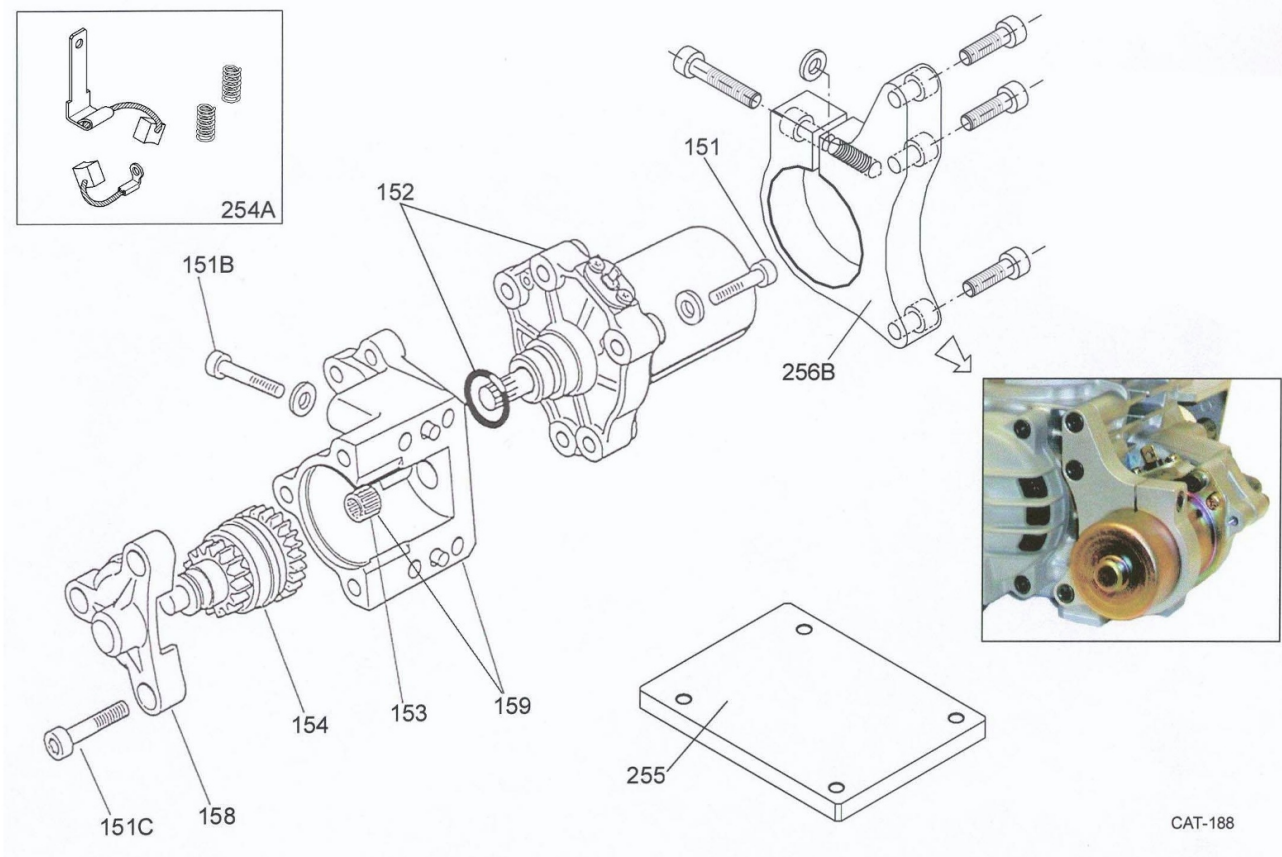
150

CAT-041/A

## RICAMBI / SPARES

POS	COD	DESCR
136	10358	EXHAUST STUDBOLT/REED GR. 6x34
137	B-85360	EXHAUST GASKET LEOP.
138	A-125365	EXHAUST PIPE LEOP.w/rest.30mm
138	A-125366	EXHAUST PIPE LEOP.w/rest.25mm
138	A-125367	EXHAUST PIPE LEOP.w/rest.31mm
138	A-125369	EXHAUST PIPE LEOPARD '08
139	00302-K	20 Cu WASHERS KIT
140	10660	6mm EXHAUST NUT
141	10711-B	FLEXIBLE L=13 cm.
142	10785	FLEXIBLE SPRING
142B	A-60735	FIBER STRIP FOR FLEX
143A	10718	SILENCER SPECIAL
144	10721-A	SILENCER END
146A	B-85990	GASKETS SET K25/LEOP/TT75/SIR
149A	10926	KIT CARB.TILL.HL334AB
150	00602	LIQUID GASKET AREXON

# ELECTRIC STARTER GROUP



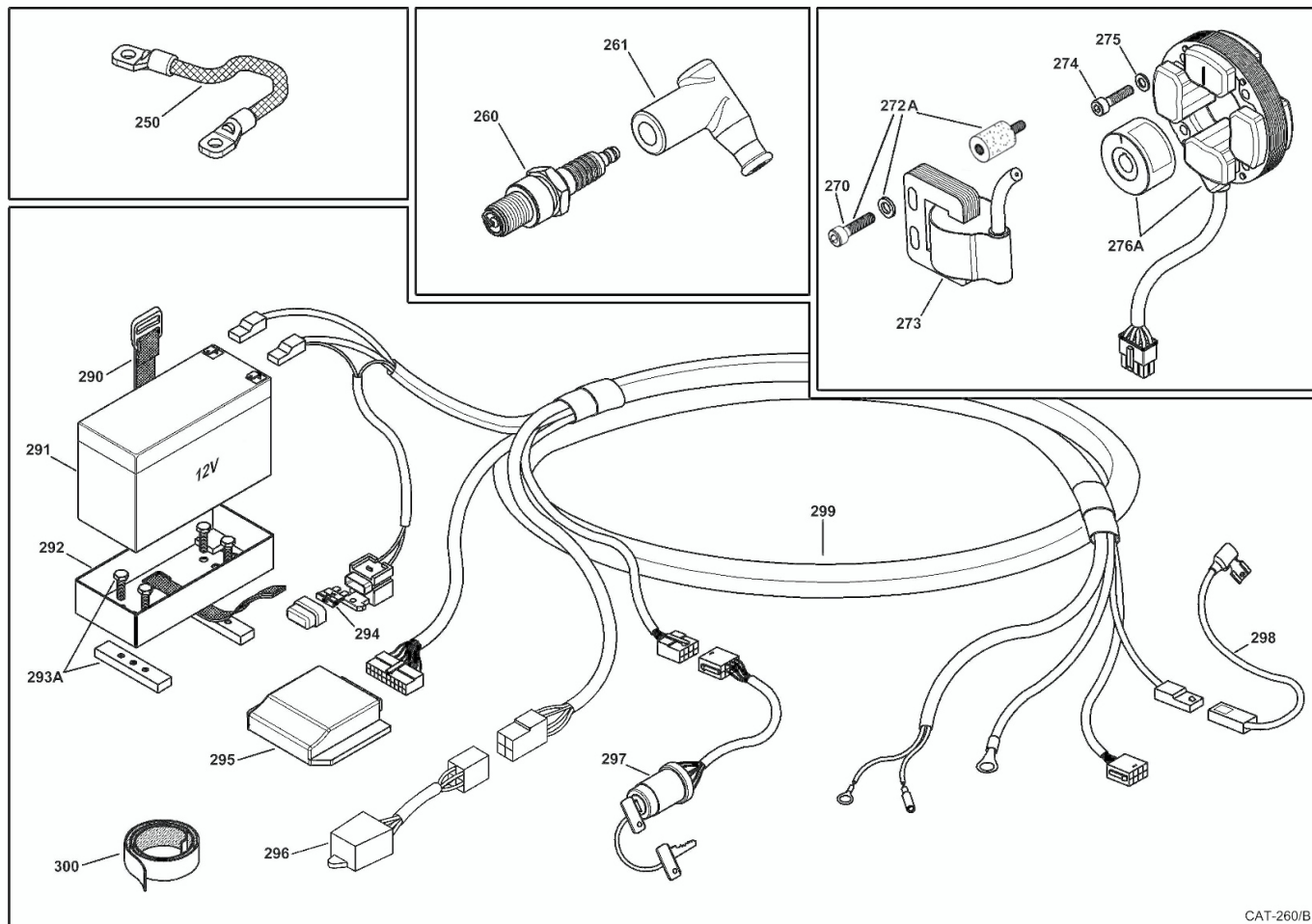
CAT-188

## RICAMBI / SPARES

POS	COD	DESCR
151	00047-K	KIT OF 20 ALLEN SCREWS 6x35
151B	00049-K	KIT OF 20 ALLEN SCREWS 6x45
151C	00045-K	20 SCREWS M6X25 KIT
152	A-120850	STARTER TaG
153	A-60865	ROLLER CAGE TaG
154	A-120855	COUNTERSHAFT TaG
158	A-60870	COUNTERSHAFT SUPPORT, TaG
159	A-120860-C	STARTER SUPPORT TaG W/ ROLLER
254A	A-60852A-C	KIT OF BRUSHES FOR STARTER
255	A-120800A	ADDIT. ENGINE PLATE n.t.
256B	A-125863-C	STARTER SUPPL. SUPPORT



# IGNITION AND ELECTRONIC DEVICE



CAT-260/B

## RICAMBI / SPARES

POS	COD	DESCR
250	B-35805-A	COIL GROUND CABLE
260	10561-A	SPARK PLUG NGK BR10EG
261	10544	PVL SPARK CAP
270	00032-K	KIT OF 20 ALLEN SCREWS 5x20
272A	A-125520-C	COIL DAMPENER KIT
273	X30125955	SELETTRA COIL K
274	00034-K	KIT OF 20 ALLEN SCREWS 5x25
275	00301-K	KIT 20 WASHERS M5
276A	X30125950A	SELETTRA K IGNITION
290	A-60904A	FIXING STRIP FOR BATTERY
291	X30125900	SPARE PART F
292	X30125905	BATTERY SUPPORT
293A	X30125906-C	BATTERY SUPP.CLAMP W/SCREWS
294	X30125942	FUSIBLE 5A X30
295	X30125930AS	MINI POWER UNIT TYPE A
296	IFE-05200	STARTER RELAY n.t.
297	X30125936-C	STARTER KEY ASSEMBLY
298	A-60934A	STARTER CABLE
299	IFE-05000	KIT CABLES W/CONNECT.
300	X30125925	VELCRO FIXING STRAP

# WATER COOLING SYSTEM

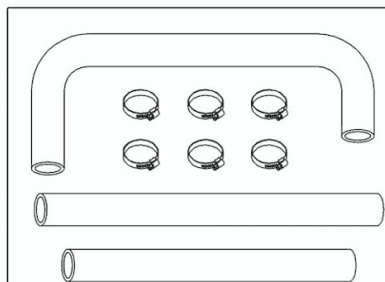


Fig. 550A  
Kit n° T-8301A-C

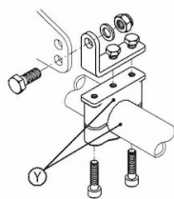


Fig. 555A

DIAMETRI - DIAMETERS  
DIAMETRES

Y= 28mm : Kit n° T-8117-C  
Y= 30mm : Kit n° T-8117-C1  
Y= 32mm : Kit n° T-8117-C2

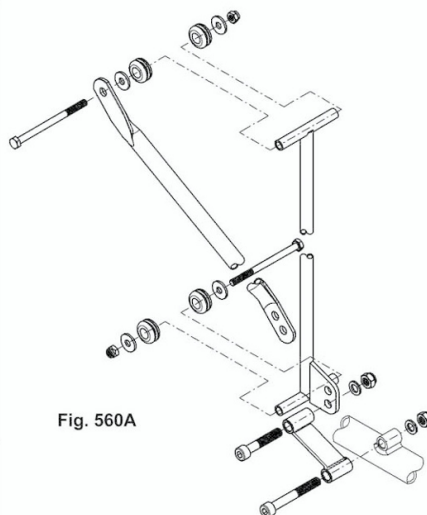


Fig. 560A

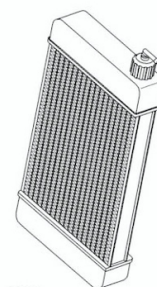
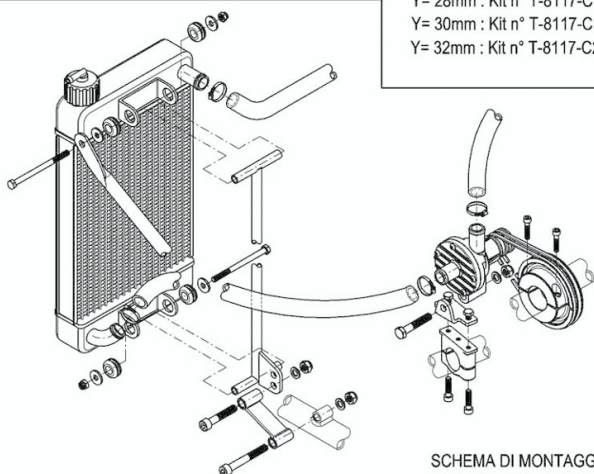


Fig. 570



Fig. 590A



IMPIANTO PER RAFFREDDAMENTO LIQUIDO  
WATERCOOLED ENGINE DEVICE  
EQUIPEMENT REFROIDISSEMENT LIQUIDE

SCHEMA DI MONTAGGIO  
ASSEMBLING LAYOUT  
SCHEMA DE MONTAGE

#### NOTE

Il gruppo POMPA comprende il SUPPORTO, la PULEGGIA e gli ANELLI di gomma.

The PUMP group includes CLAMP, PULLEY and rubber RINGS.

Le groupe POMPE comprend le SUPPORT, la POULIE et les COURROIES.

DIAMETRI - DIAMETERS - DIAMETRES

K=30mm + W=30mm : Kit n° T-8202-C

K=30mm + W=35mm : Kit n° T-8202-C1

K=30mm + W=40mm : Kit n° T-8202-C2

K=32mm + W=40mm : Kit n° T-8202-C3

K=32mm + W=35mm : Kit n° T-8202-C4

K=30mm + W=50mm : Kit n° T-8202-C5

K=32mm + W=50mm : Kit n° T-8202-C6

K=32mm + W=30mm : Kit n° T-8202-C7

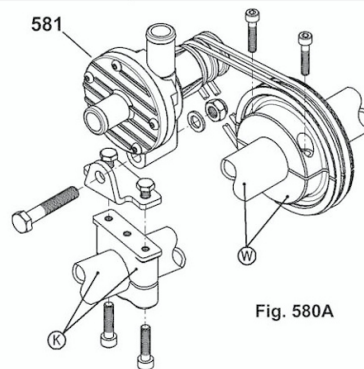


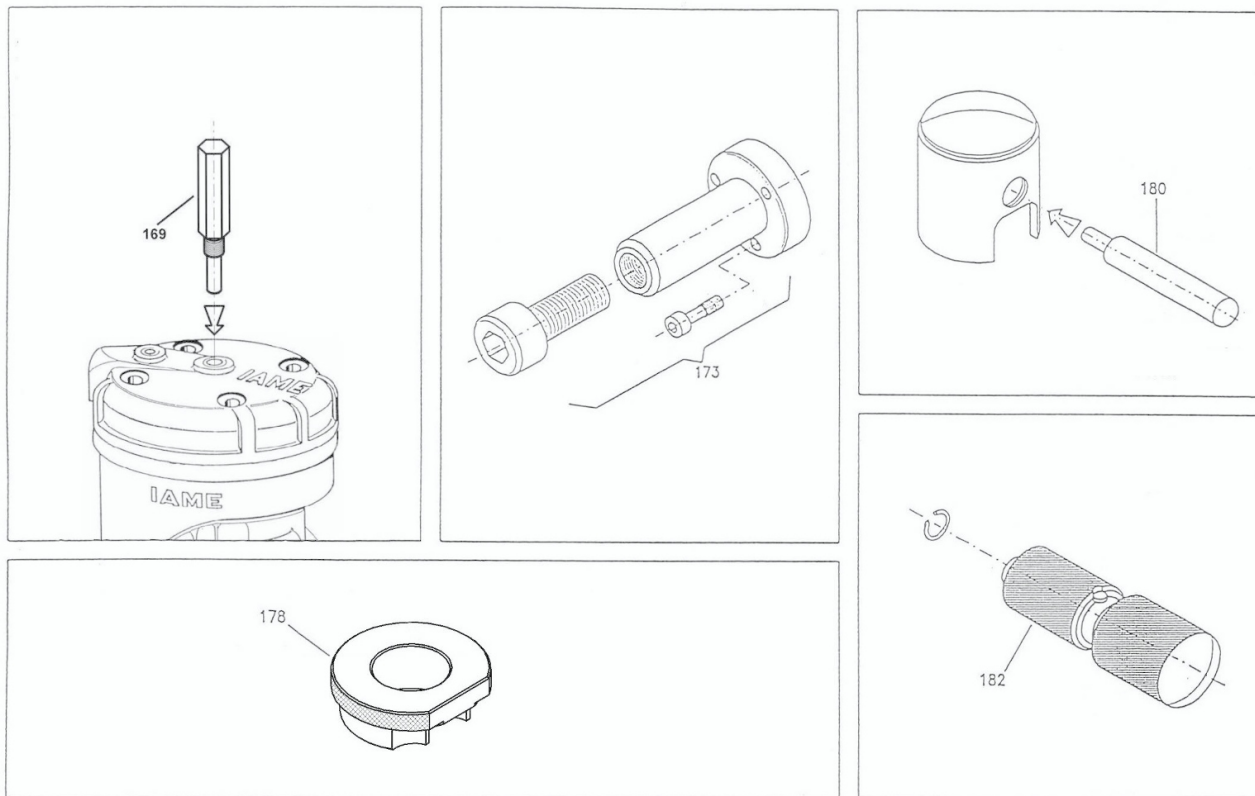
Fig. 580A

CAT-244/A

## RICAMBI / SPARES

POS	COD	DESCR
550A	T-8301A-C	COMPLETE PIPE KIT n.t.
555A	T-8117-C	RADIATOR CLAMP KIT mm28
555A	T-8117-C1	RADIATOR CLAMP KIT mm30
555A	T-8117-C2	RADIATOR CLAMP KIT mm32
560A	T-8133-C	RADIATOR SUPPORT KIT
570	T-8000A	RADIATOR
580A	T-8202-C	PUMP GROUP mm30/30
580A	T-8202-C1	PUMP GROUP mm 30/35
580A	T-8202-C2	PUMP GROUP mm30/40 nt
580A	T-8202-C3	PUMP GROUP mm32/40
580A	T-8202-C4	PUMP GROUP mm 32/35
580A	T-8202-C5	PUMP GROUP mm 30/50
580A	T-8202-C6	PUMP GROUP mm32/50
580A	T-8202-C7	PUMP GROUP mm 32/30
581	T-8202	WATER PUMP n.t.
590A	T-8400-C	THERMOSTAT 50° COMPL.

# PULLER & TOOLS

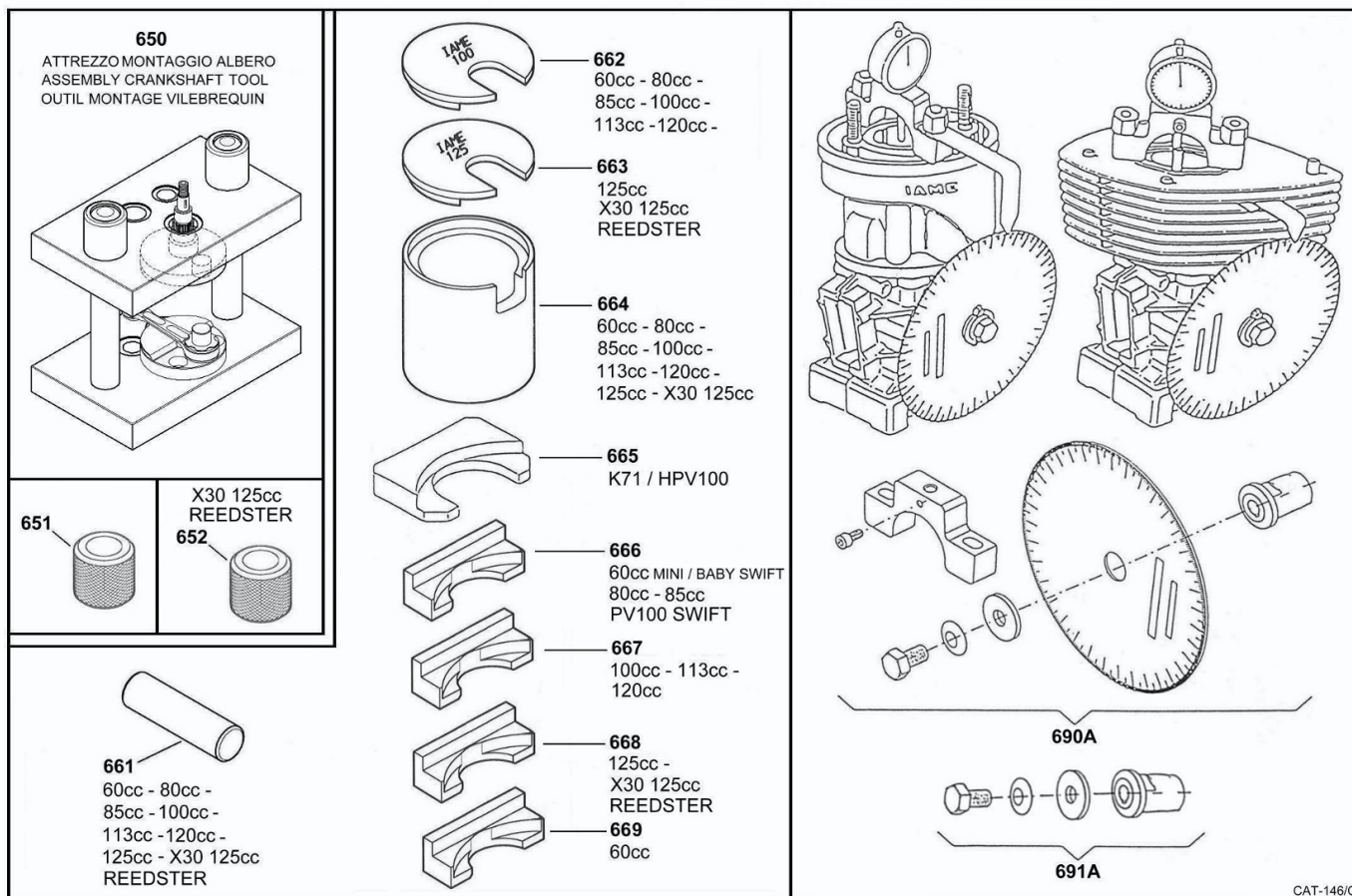


CAT-149

## RICAMBI / SPARES

POS	COD	DESCR
169	10271	PISTON STROKE LOCKER
173	B-55614-C	CLUTCH PULLER JUNIOR/TaG
178	S884	STARTER DRIVE WHEEL HOLD. TOOL
180	10200	PISTON PIN PUNCH 125cc
182	10120	CIRCLIP ASSEMBLING TOOL

# Cranksh.Ass./Disass. Timing control group



CAT-146/C

## RICAMBI / SPARES

POS	COD	DESCR
650	10110A	ASS.CRANKSHAFT TOOL
651	10150	CRANK-PIN 18mm BUSH
661	10107	CRANK-PIN PULLER
663	10104A	CRANKSHAFT PLATE 125cc
664	10100	CRANK. DISASSEMBLING SUP.
668	10106	CRANKSHAFT INSERT 125cc
690A	10820A	TIMING GROUP TaG/REEDSTER
691A	10828-C	TAG COMPLETE TIMING GROUP