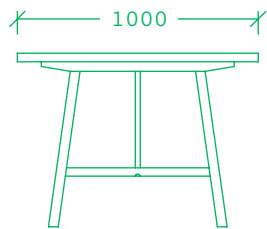
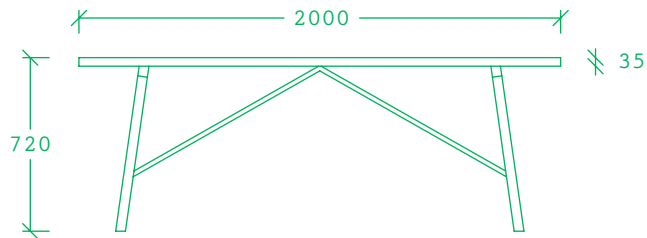


Series Two



Another Country

Din- ing Table Two



Generously proportioned, exceptionally strong and elegant, Dining Table Two is made using craft techniques and the best quality solid woods; a pale matt finished ash table top on walnut, trestle style legs.

The beauty of this piece is found in the materials employed and their honest representation; the contrasting woods and carefully finished brass support that links them are decoration enough.

Dining Table Two, like most designs in Series Two, uses a flat-pack system of construction to make shipping and storage easy. The table is constructed in four parts that are easily connected.

Materials:

Solid walnut / ash / brass

Colours:

● ● Ash / walnut

Finish:

Danish oil / wax finish

Dimensions as shown:

(W×H×D)

2000 × 720 × 1000mm

78.7 × 28.3 × 39.4"

Other sizes available, please refer to the website

www.anothercountry.com



Bench Two

Rarely is a piece of functional furniture so good looking. Beautiful brass detailing links pale matt finished ash planks to produce a unique bench top.

More brass metalwork connects the seat with walnut trestle style legs. Our slim Series Two Bench is expertly crafted. It can be used as occasional seating, in a hallway, lounge, or at the foot of a bed, and is especially satisfying when used in combination with the Series Two Dining Table.

Bench Two, like most designs in Series Two, uses a flat-pack system of construction to make shipping and storage easy. The bench is constructed in four parts that are easily connected.

Materials:

Solid walnut / ash / brass

Colours:

● ● Ash / walnut

Finish:

Danish oil / wax finish

Dimensions as shown:

(W × H × D)

1600 × 440 × 300mm

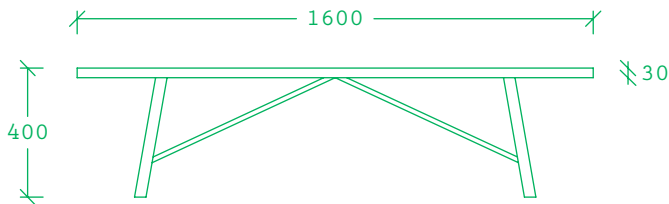
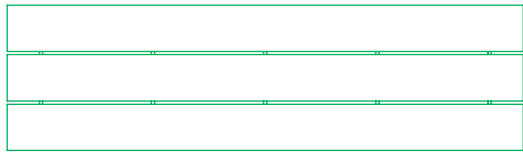
63 × 17.3 × 11.8"

Other sizes available, please refer to the website.

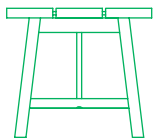
www.anothercountry.com



Side Bench Two



450



Side Bench Two is not only an elegant piece of furniture, it's superbly versatile too. Use it as a table, for stacking magazines and displaying your ceramic collection maybe, as hallway seating, a coffee table, or however the whim may take you. One thing is for sure; this low slung, carefully detailed bench that features contrasting woods of pale matt finished ash and rich walnut is sturdy enough to take it and still look beautiful.

Side Bench Two, like most designs in Series Two, uses a flat-pack system of construction to make shipping and storage easy. The bench is constructed in four parts that are easily connected.

Materials:

Solid walnut / ash / brass

Colours:

● ● Ash / walnut

Finish:

Danish oil / wax finish

Dimensions: (W × H × D)

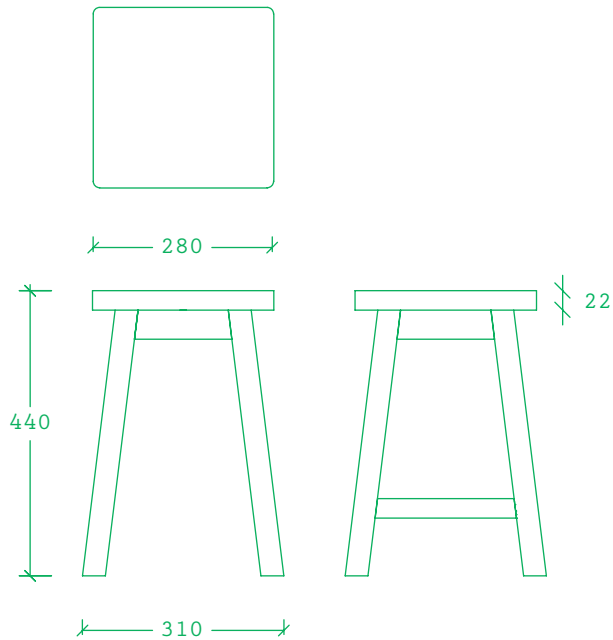
1600 × 400 × 450mm

62.9 × 15.7 × 17.7"

www.anothercountry.com



Stool 1 Two



This neat little stool can be used in combination with our Series Two Dining Table, as a side table or occasional seating solution. Its generous seat and sturdy proportions make it a versatile and mobile furniture addition to your home - simply apply wherever needed. It is available in solid ash for those of you who prefer your timber all blonde, as well as in the typical Series Two combination of ash and walnut.

Materials:
Solid walnut / ash

Colours:
● ● Ash / walnut

Finish:
Danish oil / wax finish

Dimensions: (W × H × D)
310 × 440 × 310mm
12.2 × 17.3 × 12.2"

www.anothercountry.com

