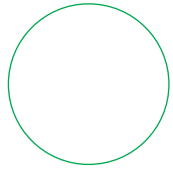


Series One

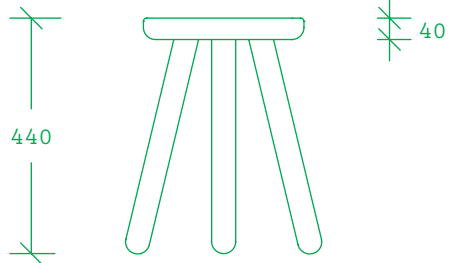


Another Country

Stool One



300



This three-legged stool is our take on a familiar seating archetype. Its simple, hard-working form has informed the style and manufacture of our entire first collection of furniture: Series One.

Our stool is a versatile object; it can be employed as primary or secondary seating, as an occasional, bedside or sofa table. Made from solid FSC certified oak, its three turned legs are attached to the seat using a peg system, which is visible on the seat and provides the stool with a handsome craft-inspired detail.

The lacquered versions are made of solid chestnut and feature our (peg-less) screw leg system.

Materials:
Solid oak / chestnut

Colours:
● Oak ● Black
● Red

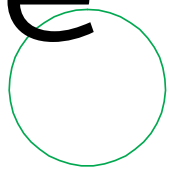
Finish:
Danish oil with
wax finish / lacquer

Dimensions: (W × H × D)
300 × 440 × 300mm
11.8 × 17.3 × 11.8"

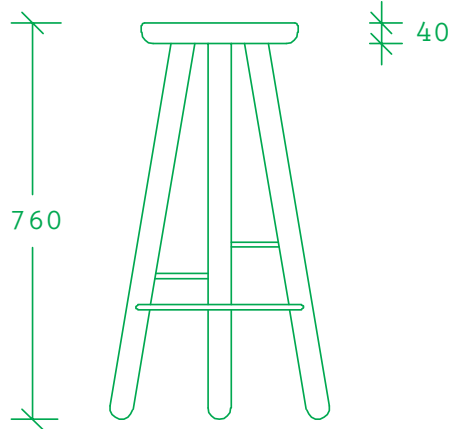
www.anothercountry.com



Bar Stool One



300



The design of our bar stool has grown (quite literally) from the little three-legged Series One stool that informed the design direction of our first collection. Made of solid FSC certified oak, it has three turned legs that are attached to the seat using a peg system that provides the stool with a handsome, craft-inspired detail. Solid brass foot rests at three different heights provide a comfortable perch for your feet, no matter your height.

The black lacquered versions are made of solid chestnut and feature our (peg-less) screw leg system.

Materials:

Solid oak / chestnut / brass

Colours:

● Oak ● Black

Finish:

Danish oil with wax finish / lacquer

Dimensions: (W × H × D)

300 × 760 × 300mm
11.8 × 29.9 × 11.8"

www.anothercountry.com



Series
One

Bench One

Our Bench One is a triumph of versatility and functionality. Not only is it a democratic seating solution, it has plenty of other uses besides: this helpful piece of furniture can be used as occasional seating, as a resting place for your magazine collection (we've made sure its depth of 350mm is just the right size for such a job) or in combination with the Series One dining table.

The oak version of the bench features the distinctive Series One peg detail on the bench seat whilst the lacquered version is made of solid chestnut and features our (peg-less) screw leg system.

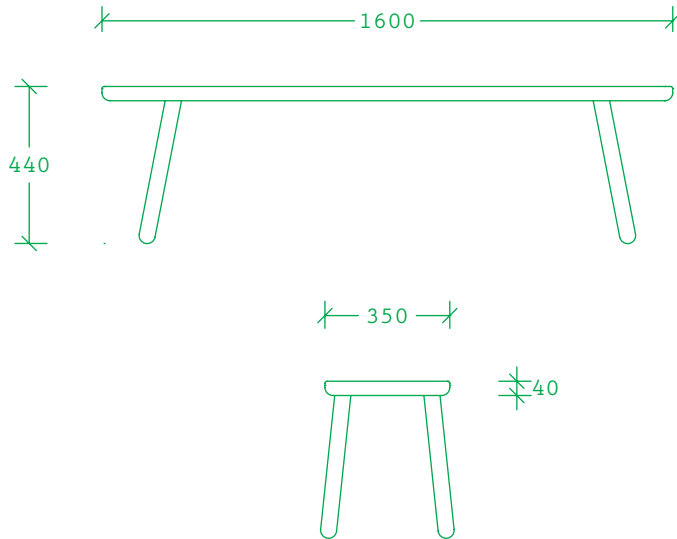
Materials:
Solid oak / chestnut

Colours:
● Oak ● Black

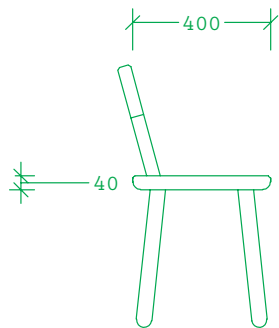
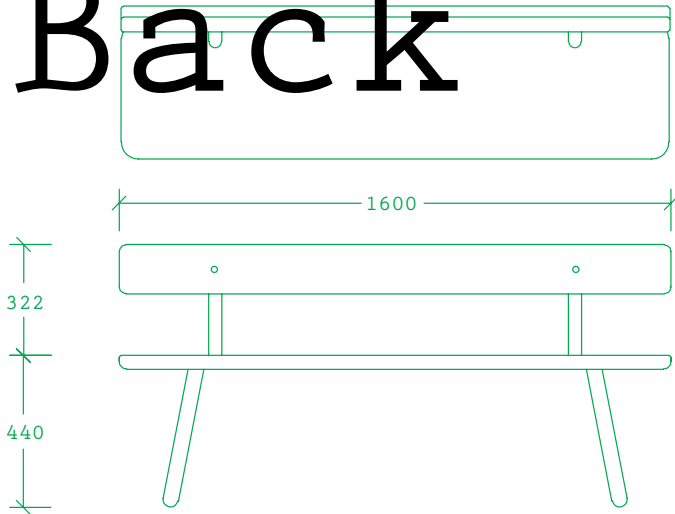
Finish:
Danish oil with wax finish / lacquer

Dimensions: (W × H × D)
1400/1600/1800/2000 ×
440 × 350mm
55/63/71/78 ×
13.8 × 17.3"

www.anothercountry.com



Bench One Back



Bench One Back is an exceptionally good-looking piece of furniture. As an evolution of our popular Bench One it includes the addition of a back rest and a deeper seat, making it extremely comfortable. The back rest displays the craft-inspired peg detail that characterises Series One whilst the turned legs are attached using our screw leg system. Bench One Back can be used alone or in combination with Dining Table One.

The distinctive Series One peg detail is visible on the back rest and the legs are attached using our (peg-less) screw leg system.

Materials:
Solid oak / chestnut

Colours:
● Oak ● Black

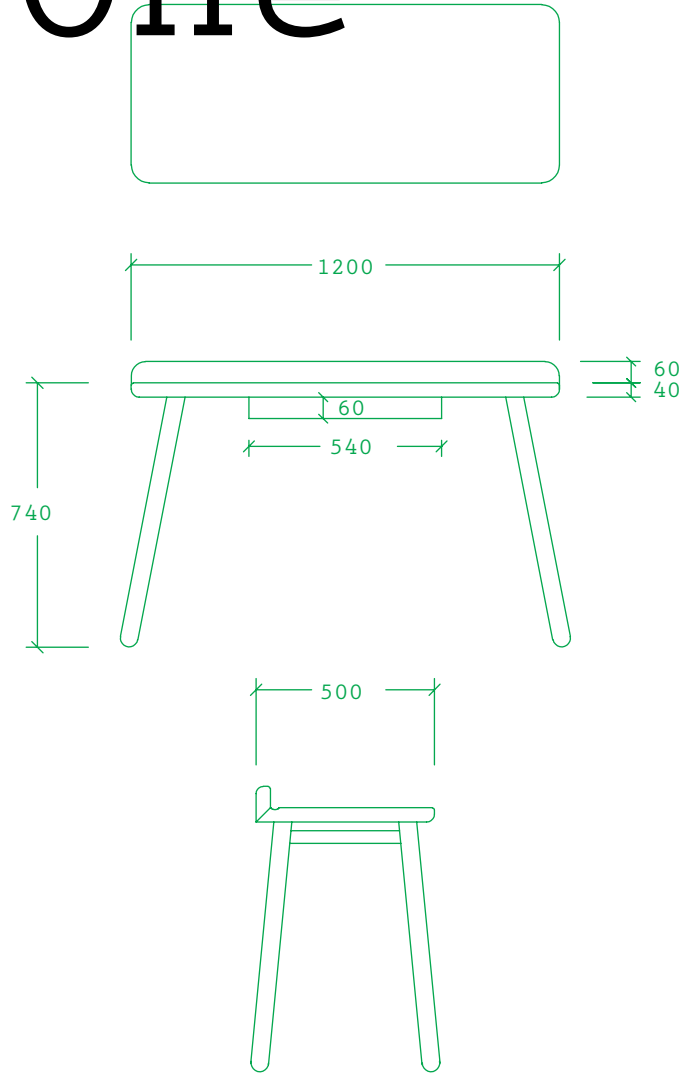
Finish:
Danish oil with
wax finish / lacquer

Dimensions:
(W × S × H × D)
1400/1600/1800/2000 ×
440 × 762 × 400mm
55/63/71/78 ×
17.3 × 30 × 15.8"

www.anothercountry.com



Desk One



For the home study, the work place or a quiet corner - our Desk One can be as professional a piece of furniture as you want it to be. Reminiscent of an archetypal school desk, Desk One features a drawer, an indentation to hold pens and pencils and a cable tidy to accommodate more contemporary desktop objects. Desk One is compact, sturdy and ready to work as hard as you do.

Desk One features our peg-less screw leg system to attach solid, turned legs to its tabletop, also enabling the piece to be easily shipped or dismantled for storage.

Materials:
Solid oak / chestnut

Colours:
● Oak ● Black

Finish:
Danish oil with wax finish / lacquer

Dimensions:
(W × T × H × D)
1200 × 740 × 800 × 500mm
47.2 × 29 × 31.5 × 19.7"
Drawer internal dimensions: (W × H × D)
460 × 45 × 365mm
18.1 × 1.8 × 14.4"

www.anothercountry.com



Coffee Table One Round

This circular coffee table employs the characteristic details of our Series One collection; solid turned legs, a craft-inspired peg system detail and a tabletop made from solid FSC certified oak. Suitably stylish for the home and sturdy enough for commercial use, Coffee Table One is customisable too, just like all our Series One pieces.

The black lacquered version is made of solid chestnut and features our (peg-less) screw leg system.

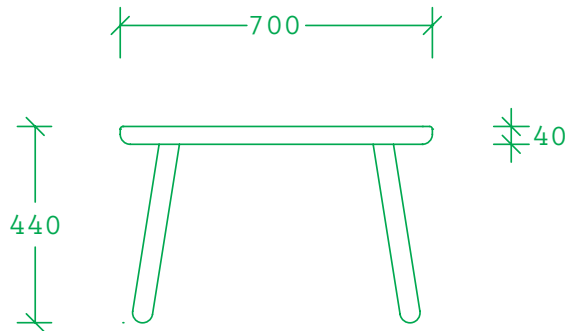
Materials:
Solid oak / chestnut

Colours:
● Oak ● Black

Finish:
Danish oil with
wax finish / lacquer

Dimensions: (W×H×D)
700 × 440 × 700mm
27.6 × 17.3 × 27.6"

www.anothercountry.com



Coffee Table One Square

This square version of our Coffee Table One has neat proportions and looks an exceptionally tidy piece of furniture as a result. It works just as hard when placed snugly in a corner, by a favourite arm chair or in the centre of a room. It employs the archetype details of our Series One collection; solid turned legs, an attractive craft-inspired peg system detail and is constructed from solid FSC certified oak.

The black lacquered version is made of solid chestnut and features our (peg-less) screw leg system.

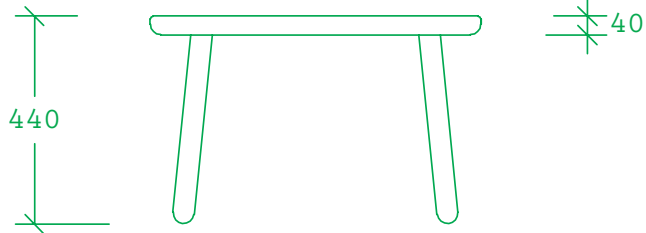
Materials:
Solid oak / chestnut

Colours:
● Oak ● Black

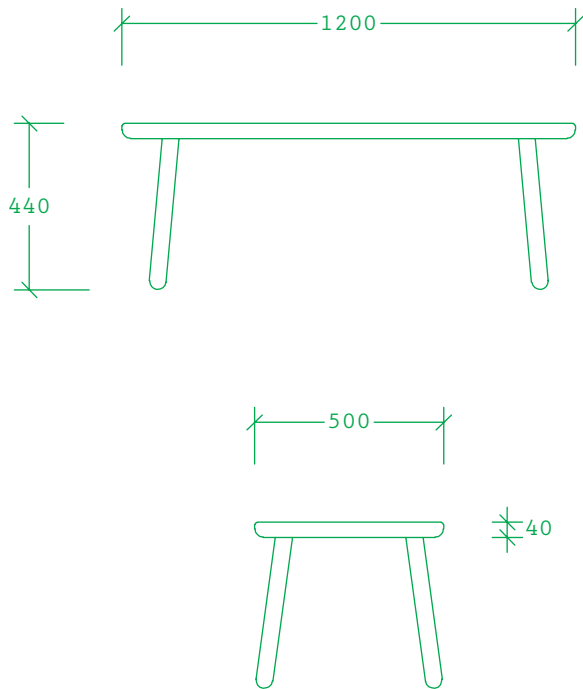
Finish:
Danish oil with
wax finish / lacquer

Dimensions: (W × H × D)
700 × 440 × 700mm
27.6 × 17.3 × 27.6"

www.anothercountry.com



Coffee Table One Rectangular



The Rectangular version of Coffee Table One also employs the archetype details of our Series One collection; solid turned legs, an attractive craft-inspired peg system detail and is constructed from solid FSC certified oak. This time, the elongated form is the perfect partner for your sofa. The solid wood and generous proportions mean you can pile Coffee Table One Rectangular high with books, magazines, photographs. Or coffee of course.

The black lacquered version is made of solid chestnut and features our (peg-less) screw leg system.

Materials:
Solid oak / chestnut

Colours:
● Oak ● Black

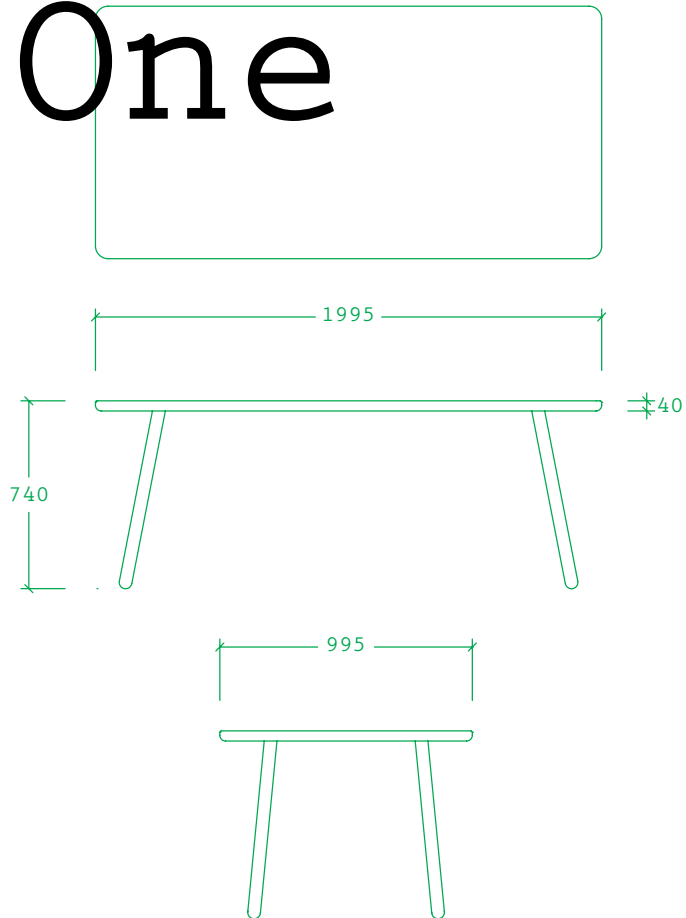
Finish:
Danish oil with wax finish / lacquer

Dimensions: (W × H × D)
1200 × 440 × 500mm
47.2 × 17.3 × 19.7"

www.anothercountry.com



Dining Table One



Strong, handsome and all about the quality of our solid FSC certified oak, Dining Table One is everything a kitchen or dining table (or desk, if that is what you are after) should be. However you employ this generous table you can be sure it will work hard for you – exceptionally sturdy and built to last using craft techniques and the finest solid wood, you won't easily find another piece of furniture with this much quality.

Dining Table One, like all our larger pieces of furniture, has sturdy turned legs and a solid tabletop. We have designed a screw-in mechanism that enables the furniture to be easily shipped or dismantled for storage.

Materials:
Solid oak / chestnut

Colours:
● Oak ● Black

Finish:
Danish oil with wax finish / lacquer

Dimensions: (W × H × D)
1995 × 740 × 995mm
78.5 × 29.1 × 39.2"
Other sizes available, please refer to the website

www.anothercountry.com



Dining Table One Round

Another Chair is a versatile, comfortable and hardworking seating solution. The familiar aesthetic and craft-based construction of a traditional alpine chair has been refined, resulting in a design that is truly 'contemporary craft'. It works well as a reliable kitchen chair although it is elegant enough for your dining room too.

The construction combines traditionally wedged sections of solid timber with thin plywood shells and is therefore light yet strong and durable. It is a companion design for our Series One furniture and works especially well with Dining Table One and Desk One and will hold its own in a hardworking contract environment.

Materials:
Solid oak / chestnut

Colours:
● Oak ● Black

Finish:
Danish oil with
wax finish / lacquer

Dimensions: (D × H)
1300/1600/1800 × 740mm
51.1/62,9/70.9 × 29.1"

www.anothercountry.com



Another Chair

Another Chair is a versatile, comfortable and hardworking seating solution. The familiar aesthetic and craft-based construction of a traditional alpine chair has been refined, resulting in a design that is truly 'contemporary craft'. It works well as a reliable kitchen chair although it is elegant enough for your dining room too.

The construction combines traditionally wedged sections of solid timber with thin plywood shells and is therefore light yet strong and durable. It is a companion design for our Series One furniture and works especially well with Dining Table One and Desk One and will hold its own in a hardworking contract environment.

Designer: Mathias Hahn

Materials:

Solid oak / oak ply
or
Solid chestnut/
birch ply

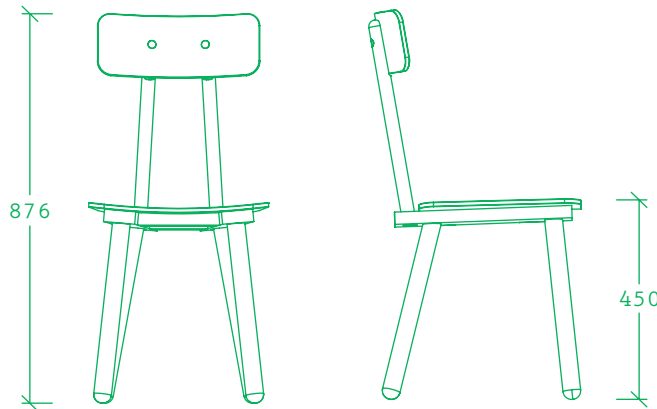
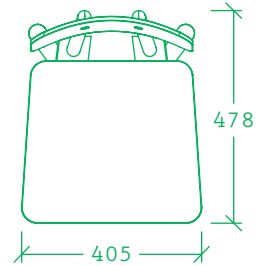
Colours:

● Oak ● Cream
● Grey beige
● Pigeon blue
● Signal black

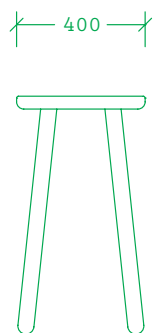
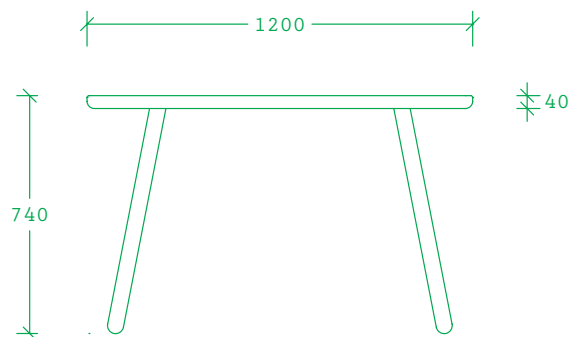
Dimensions:

(W × S × H × D)
405 × 450 × 876 × 478mm
15.9 × 17.7 × 34.5 × 18.8"

www.anothercountry.com



Con- sole One



For the hallway as a temporary resting place for keys and pocket overflow, for displaying prized possessions in the lounge or, indeed, for any room of the house, Console One is a great piece of functional furniture.

Console One uses the screw-in mechanism to attach solid, turned legs to its tabletop, also enabling the piece to be easily shipped or dismantled for storage.

Materials:

Solid oak / chestnut

Colours:

● Oak ● Black

Finish:

Danish oil with wax finish / lacquer

Dimensions: (W×H×D)

1200 × 740 × 400mm

47.2 × 29.1 × 15.8"

www.anothercountry.com



Daybed One

Generous, comfortable and superbly stylish, our Daybed One is a chic but practical piece of furniture. In the daytime use for lounging and additional seating and at night as a put-me-up (the daybed shares the proportions of a standard single bed) for guests who just don't want to go. The base of our daybed is made from solid FSC certified oak (or chestnut when lacquered) and shares the same screw leg system as our larger pieces of furniture.

The daybed's mattress is 100% organic and made for us by Naturalmat of Devon. It has a latex core wrapped in coir and wool and is upholstered in beautiful 100% wool Bute fabric with a six-button detail. The mattress meets Crib 5 commercial requirements and has natural fire retardant properties. The mattress is shown overleaf in a grey Bute Turnberry fabric. Please see our upholstery card for different fabric options.

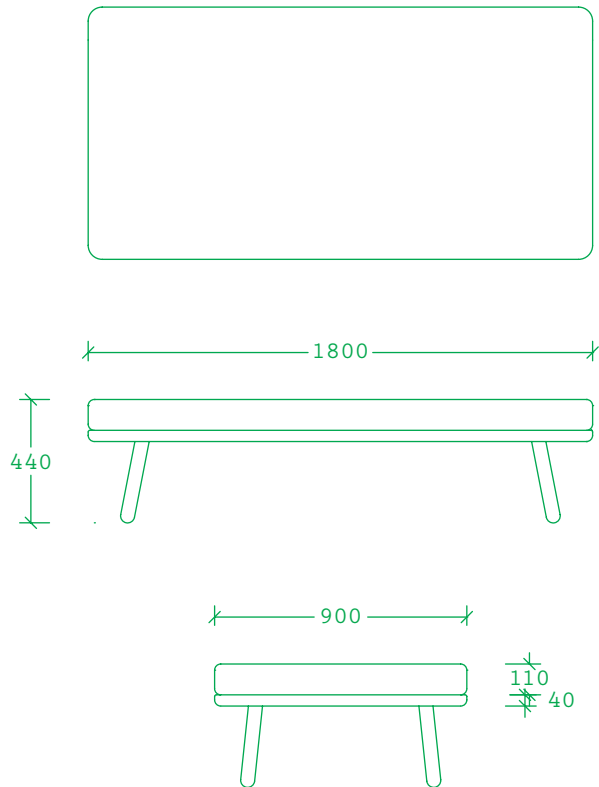
Materials:
Solid oak / chestnut

Colours:
● Oak ● Black

Finish:
Danish oil with wax finish / lacquer

Dimensions: (W × H × D)
1800 × 440 × 900mm
70.9 × 17.3 × 35.4"

www.anothercountry.com

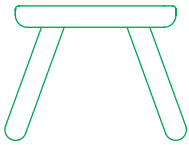


Kids Step Up One



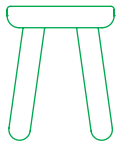
300

250



40

200



Our Step Up is a helping hand for kids too little to reach. For the bathroom, kitchen or bedroom, Step Up One is all your child needs to feel big. This little step is a sturdy piece of kit that features our Series One peg detail and is made to last from solid FSC certified oak.

It can be easily carried by little hands and even doubles as a small kids stool.

The lacquered versions feature our (peg-less) screw leg system.

Materials:

Solid oak / chestnut

Colours:

● Oak ● Black
● Red

Finish:

Danish oil with wax finish / lacquer

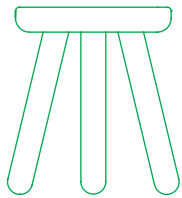
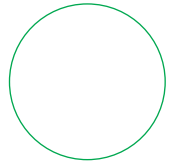
Dimensions: (W×H×D)

300 × 250 × 200mm
11.8 × 9.8 × 7.9"

www.anothercountry.com



Kids Stool One



Kids Stool One is made from solid FSC certified oak and is an adaptation of the traditional three-legged stool. Effectively a scaled-down version of the grown-up Series One stool, this simple design is versatile, transportable, exceptionally well made and of course designed to work with our Series One Kids Table.

The lacquered versions are made of solid chestnut and feature our (peg-less) screw leg system.

Materials:

Solid oak / chestnut

Colours:

● Oak ● Black
● Red

Finish:

Danish oil with
wax finish / lacquer

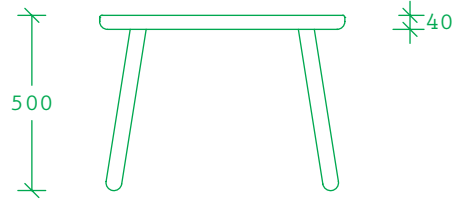
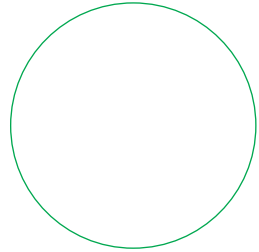
Dimensions: (W×H×D)

250 × 300 × 250mm
9.8 × 11.8 × 9.8"

www.anothercountry.com



Kids Table One



This children's table employs the characteristic details of our Series One collection; solid turned legs, an attractive craft-inspired peg system detail and a tabletop made from solid FSC certified oak. The kids table is designed for children to sit at comfortably and to take the hardest knocks, but we'll understand if you'd like to put a vase on it too. This is heirloom furniture designed to please parents and children alike.

The lacquered versions are made of solid chestnut and feature our (peg-less) screw leg system.

Materials:
Solid oak / chestnut

Colours:
● Oak ● Black
● Red

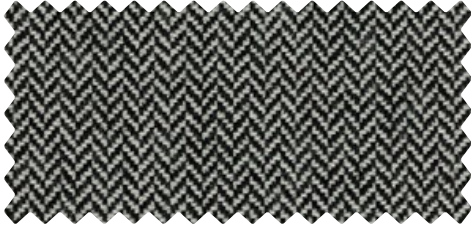
Finish:
Danish oil with
wax finish / lacquer

Dimensions: (W × H × D)
700 × 500 × 700mm
27.6 × 19.7 × 27.6"

www.anothercountry.com



Upholstery Options



Grey Bute Turnberry



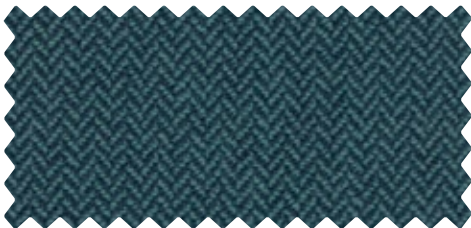
Green Bute Turnberry



Red Bute Turnberry



Purple Bute Turnberry



Teal Bute Turnberry



Mushroom Bute Turnberry