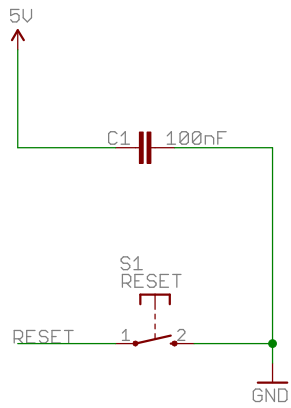
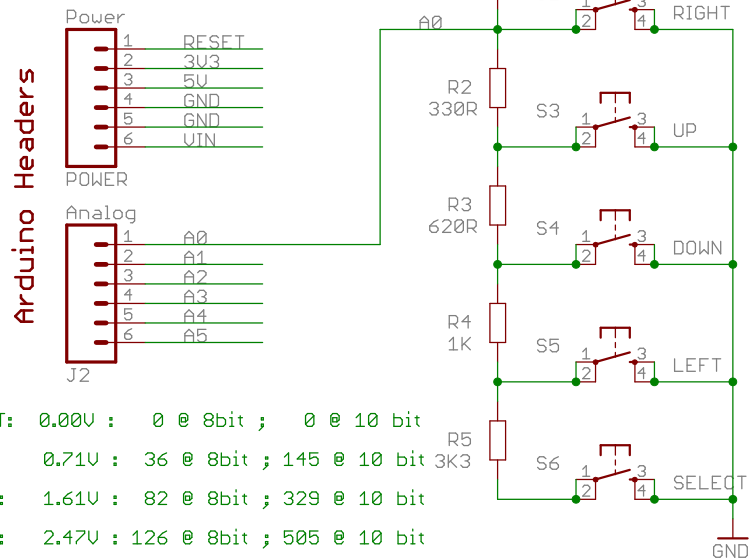


Power / Reset

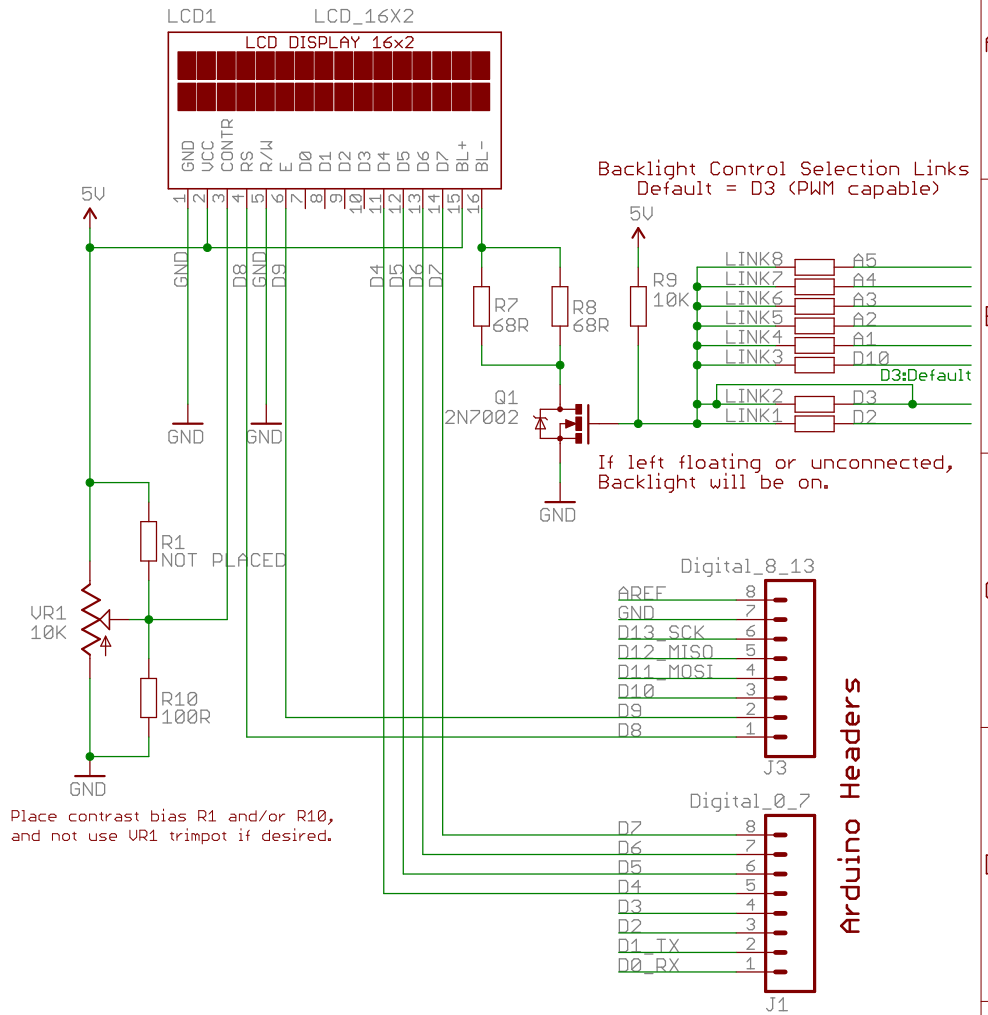


Input Buttons



RIGHT: 0.00V : 0 @ 8bit ; 0 @ 10 bit
 UP: 0.71V : 36 @ 8bit ; 145 @ 10 bit
 DOWN: 1.61V : 82 @ 8bit ; 329 @ 10 bit
 LEFT: 2.47V : 126 @ 8bit ; 505 @ 10 bit
 SELECT: 3.62V : 185 @ 8bit ; 741 @ 10 bit

LCD Module



Place contrast bias R1 and/or R10, and not use VR1 trimpot if desired.

Freeronics 16x2 LCD Shield

SKU: SH-16X2LCD | V2.0 (2011-04-30) | www.freeelectronics.com/16x2lcd

©2011 Freeronics Pty Ltd: www.freeelectronics.com
 Licensed under the TAPR Open Hardware License: www.tapr.org/ohl