

WIRELESS COLOR WEATHER STATION

QUICK START GUIDE



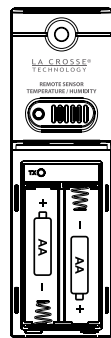
MODEL: 308-1414BV2 / 308-1414WV2
DC: 08071818

Full manual can be found under the Support tab here:
bit.ly/308-1414bv2

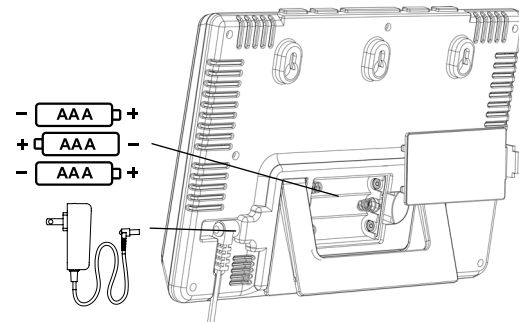
POWER UP

1. Insert 2-AA batteries into your Outdoor Sensor.
2. Insert the 5 volt power cord into an outlet, then into your Weather Station. Optional: Insert 3-AAA batteries for backup.
3. Adjust time and date settings on your Weather Station.
4. Once the Outdoor Sensor is reading to your station, place it outside in a shaded location.

Watch sensor mounting video: http://bit.ly/TH_SensorMounting



Outdoor Sensor
TX141TH-Bv3



Weather Station
308-1414Bv2 / 308-1414Wv2

SETTINGS

1. Hold the TIME SET button to enter the Settings Menu.
2. Press the ARROW buttons to adjust the values. Hold to adjust quickly.
3. Press the TIME SET button to confirm and move to the next menu item.

Settings Menu Order:

- WWVB ON/OFF
- Time Zone
- DST ON/OFF
- 12/24 Hour
- Hour
- Minutes
- Year
- Month
- Date
- Fahrenheit or Celsius

Time Zones

AST = Atlantic
EST = Eastern
CST = Central
MST = Mountain
PST = Pacific
AKT = Alaska
HAT = Hawaii

Note: Your weekday will set automatically after year, month, and date are set.

WWVB ATOMIC TIME SIGNAL

- Press and release the TIME SET button to manually search for the WWVB Atomic Time Signal. Tower Icon will flash while searching.
- Press and release the TIME SET button to stop a search.
- For information about WWVB Atomic Time visit:
<http://bit.ly/AtomicTime>

ALARM

1. Hold the ALARM button until the Alarm Hour begins to flash.
2. Press the ARROW buttons to adjust values, hold to adjust quickly.
3. Press the ALARM button to confirm and move to the Alarm Minutes.
4. Use the ARROW buttons again to adjust, and press ALARM to confirm and activate the alarm.

This station uses a crescendo alarm, which will increase in volume over time. If no buttons are pressed within 2 minutes, it will shut off automatically.

DEACTIVATE/ACTIVATE ALARM

- Press and release the ALARM button to deactivate or activate the alarm. The alarm time will show for 2 seconds.
- Alarm Icon (bell) and ALARM ON will show when active
- ALARM OFF will show when inactive.

SNOOZE

- When alarm sounds, press the SNOOZE/LIGHT button to silence alarm for 10 minutes.
- The Alarm Icon **Zz** will flash
- Press any button except SNOOZE/LIGHT to silence the alarm for 24 hours

TEMPERATURE ALERTS

1. Hold the ALERTS button for 3 seconds.
2. The temperature alert section will light up, and the alert value will begin to flash.
3. Press and release the ARROW buttons to adjust alert values.
4. Press and release the ALERTS button to confirm & move to the next alert.

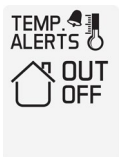
ARM/DISARM ALERTS

- Press and release the ALERTS button to toggle between the alerts. Outdoor HI / Outdoor LOW / Indoor HI / Indoor LOW
- Press the UP ARROW button to arm the alert. Alert Bell Icon will show.
 - Press the DOWN ARROW button to disarm the alert.

Outdoor HIGH Alert Armed



All Alerts Disarmed



ACTIVE ALERT

- Sounding alerts will beep once per minute while in alert range.
- The Bell Icon will flash, indicating which alert is sounding.
 - Press any button to stop a sounding alert. The Bell Icon will remain flashing until out of the alert range.

OTHER BUTTON FUNCTIONS

HEAT/DEW button:

- Press to view Heat Index and Dew Point
- Hold to search for outdoor sensor

HI-LOW-OFF button:

- Press and release to adjust backlight

DOWN ARROW button:

- Press to view minimum temperature/humidity records
- Hold to reset records

UP ARROW button:

- Press to view maximum temperature/humidity records
- Hold to reset records

LOW BATTERY

- If a low battery icon is displayed in the Outdoor Temperature section, replace batteries in the sensor.
- If a low battery icon is displayed in the Indoor Temperature section, or next to the Time, replace batteries in your station.

WE'RE HERE TO HELP!

Our knowledgeable customer support team is available:
Monday-Friday, 8am-6pm CST. Phone: 1.608.782.1610

JOIN THE CONVERSATION

Ask questions, watch detailed setup videos, and provide feedback on our social media outlets!



SENSOR WEATHER SHIELD-NOT INCLUDED

- The Sensor Weather Shield is designed to protect your outdoor sensor from rain and snow.
- This shield will offer limited protection from the sun's heat.
- Purchase at: <http://bit.ly/925-1418>



SPECIFICATIONS

Indoor:

Temperature Range: 32°F to 122°F (0°C to 50°C)

Humidity Range: 10% - 99% RH

Outdoor:

Temperature Range: -40°F to 140°F (-40°C to 60°C)

Humidity Range: 10% - 99% RH

Transmission Range: over 330 feet (100 meters) in open air RF 433MHz

Power Requirements:

308-1414Bv2 / 308-1414Wv2: 5-volt power adapter (included)

AC6: GPU280500150WA00

Optional: 3 "AAA" LR6 Batteries (not included)

TX141TH-Bv3: 2 "AA" LR6 Batteries (not included)

Battery Life:

308-1414Bv2 / 308-1414Wv2: over 36 months with power cord as primary power

TX141TH-Bv3: over 12 months with reputable batteries

Dimensions:

308-1414Bv2 / 308-1414Wv2: 8.34" L x 1.03" W x 5.48" H (
21.8cm L x 2.62cm W x 13.92cm H)

TX141TH-Bv3: 1.57" L x 0.82" W x 5.11" H (3.98cm L x 2.08cm W x 12.98cm H)



WARNING: This product can expose you to chemicals including styrene, which is known to the State of California to cause cancer. For more information go to: www.P65Warnings.ca.gov

WARRANTY INFO

La Crosse Technology, Ltd. provides a **1-year limited time warranty** (from date of purchase) on this product relating to manufacturing defects in materials & workmanship.

For Full Warranty Details, Visit: www.lacrossetechnology.com/support

CARE + MAINTENANCE

- Do not mix old and new batteries.
- Do not mix Alkaline, Lithium, standard, or rechargeable batteries.
- Always purchase the correct size and grade of battery most suitable for intended use.
- Clean the battery contacts and also those of the device prior to battery installation.
- Ensure the batteries have with correct polarity (+ / -).
- Remove batteries from equipment that will not to be used for an extended period.
- Promptly remove expired batteries.

CANADA STATEMENT

This device complies with CNR Industry Canada license -exempt devices. Operation is subject to the following two conditions:

- (1) This device may not cause interference; and
- (2) This device must accept any interference, including interference that may cause undesired operation of the device.

FCC STATEMENT

This equipment has been tested and found to comply with the limits for a Class B digital device, pursuant to part 15 of the FCC Rules. These limits are designed to provide reasonable protection against harmful interference in a residential installation. This equipment generates, uses and can radiate radio frequency energy and, if not installed and used in accordance with the instructions, may cause harmful interference to radio communications. However, there is no guarantee that interference will not occur in a particular installation. If this equipment does cause harmful interference to radio or television reception, which can be determined by turning the equipment off and on, the user is encouraged to try to correct the interference by one or more of the following measures:

- Reorient or relocate the receiving antenna.
- Connect the equipment into an outlet on a circuit different from that to which the receiver is connected.
- Increase separation between equipment & receiver.
- Consult the dealer or an experienced radio/TV technician for help.

This device must not be co-located or operating in conjunction with any other antenna or transmitter.

Operation is subject to the following two conditions:

- (1) This device may not cause harmful interference, and
- (2) This device must accept any interference received, including interference that may cause undesired operation.

CAUTION!

The manufacturer is not responsible for any radio or TV interference caused by unauthorized changes or modifications to this equipment. Such changes or modifications could void the user authority to operate the equipment.

All rights reserved. This manual may not be reproduced in any form, even in part, or duplicated or processed using electronic, mechanical or chemical process without the written permission of the publisher. This booklet may contain errors or misprints. The information it contains is regularly checked and corrections are included in subsequent editions. We disclaim any responsibility for any technical error or printing error, or their consequences. All trademarks and patents are recognized.