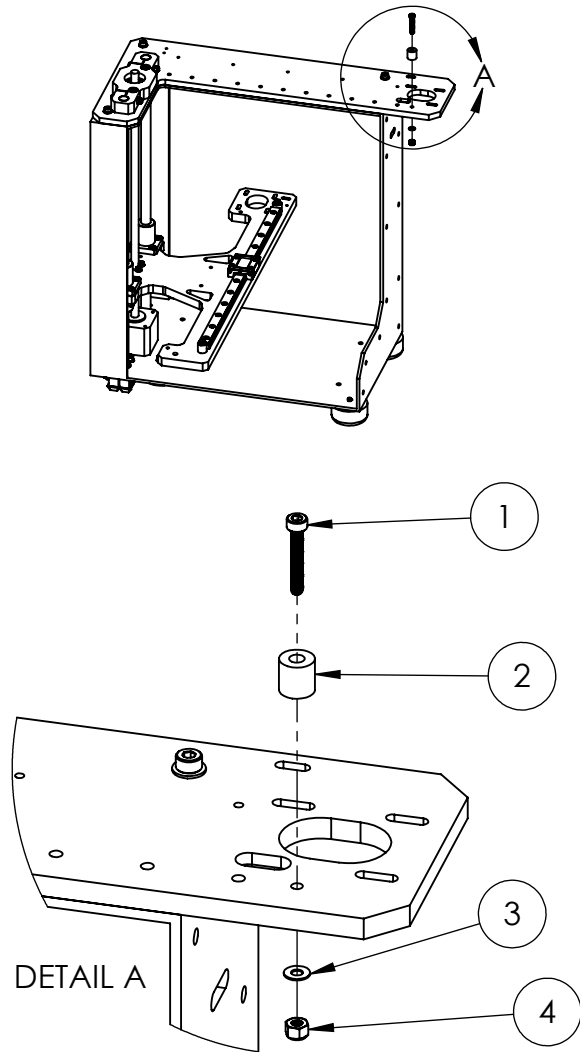
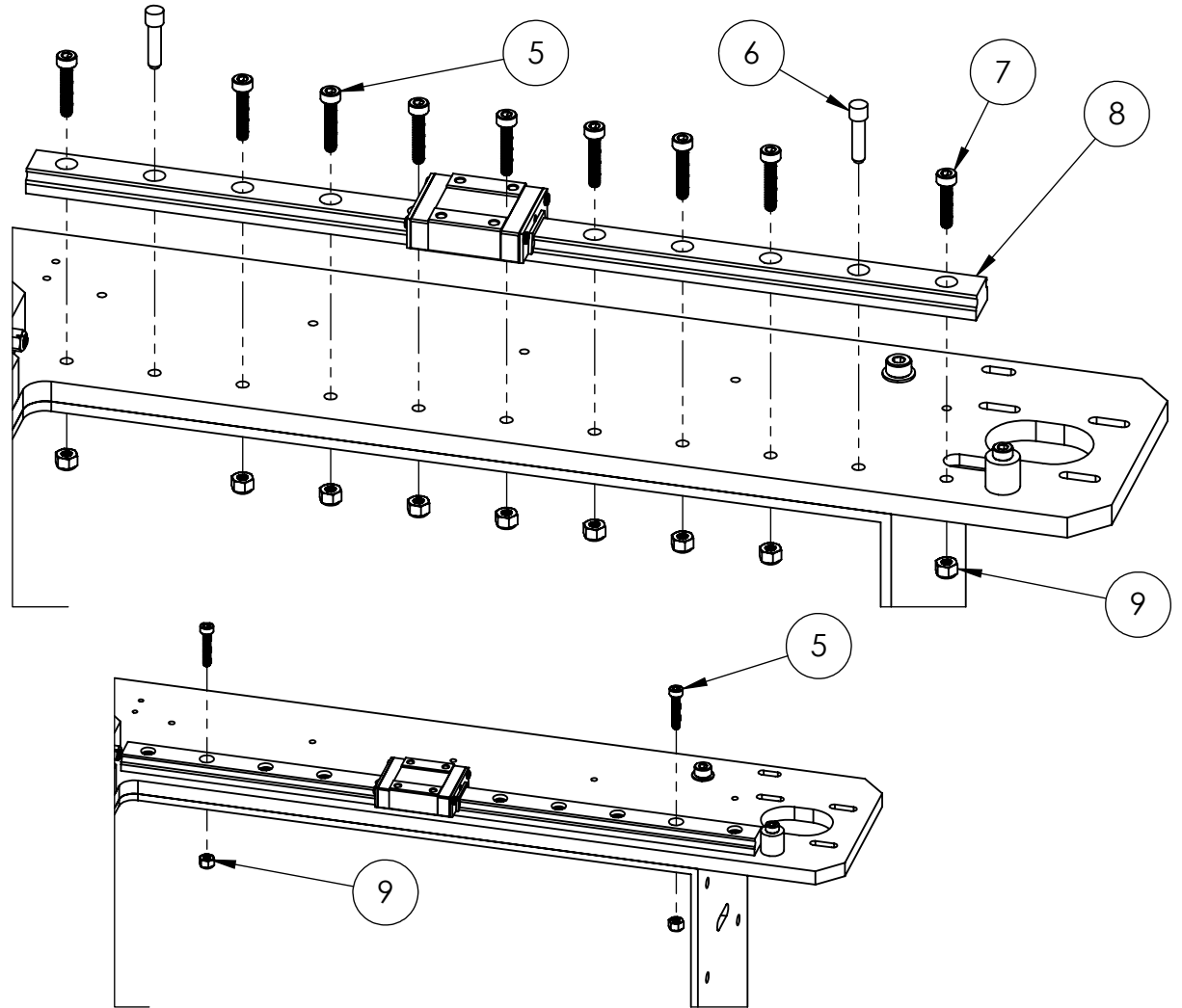


ITEM NO.	DESCRIPTION	QTY.
1	M3x20mm SS Socket Cap Screw	1
2	Nylon Spacer, 3/8" IDx3/8"Lg.	1
3	M3 SS Washer	1
4	M3 SS Nylock Nut	1

ITEM NO.	DESCRIPTION	QTY.
5	M3x16 SS Socket Cap Screw	10
6	Brass Alignment Pin - Unmarked	2
7	M3x14 SS Socket Cap Screw	1
8	Linear Rail	1
9	M3 SS Nylock Nut	11



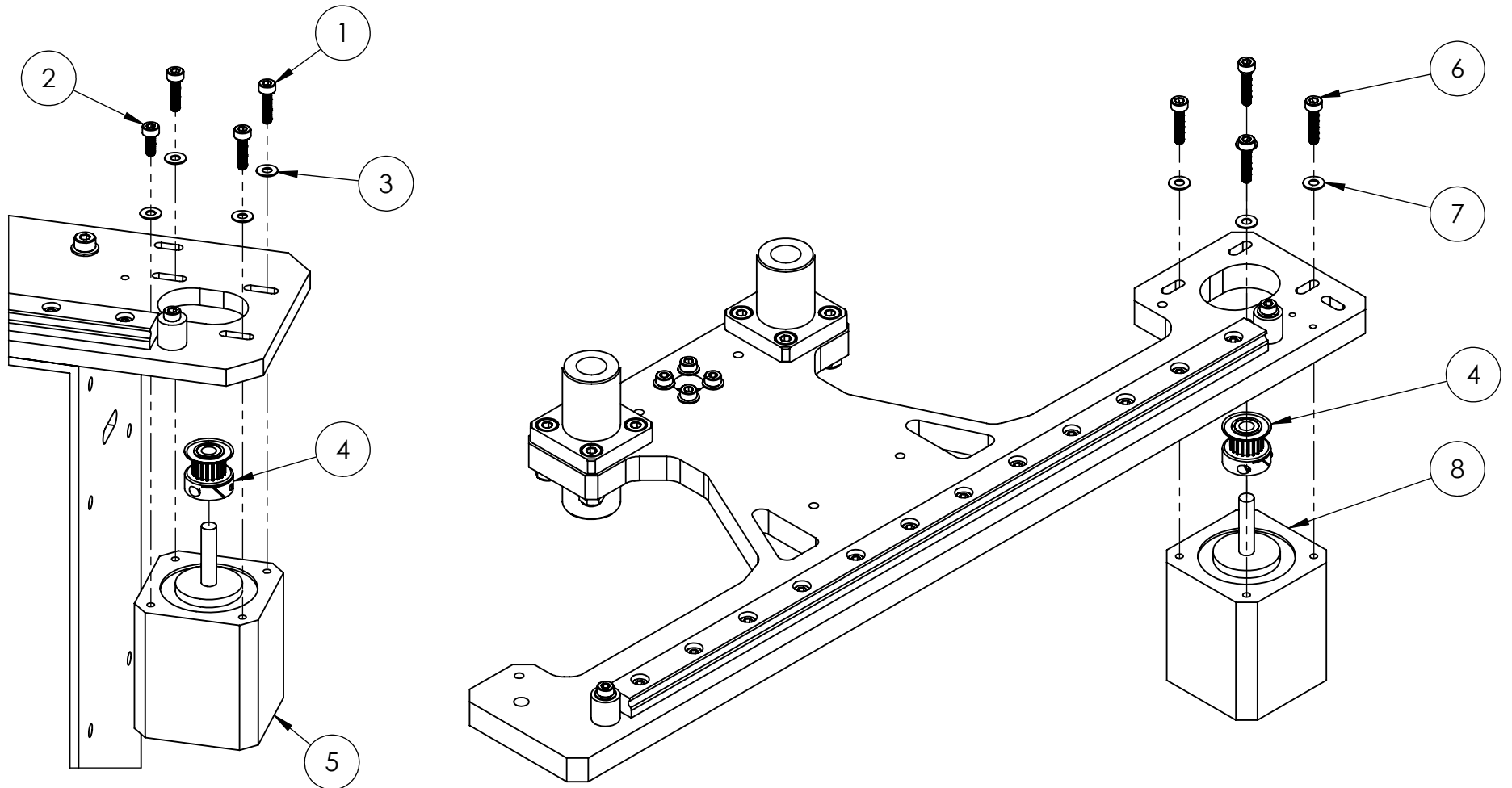
M2 Assembly



Page 1

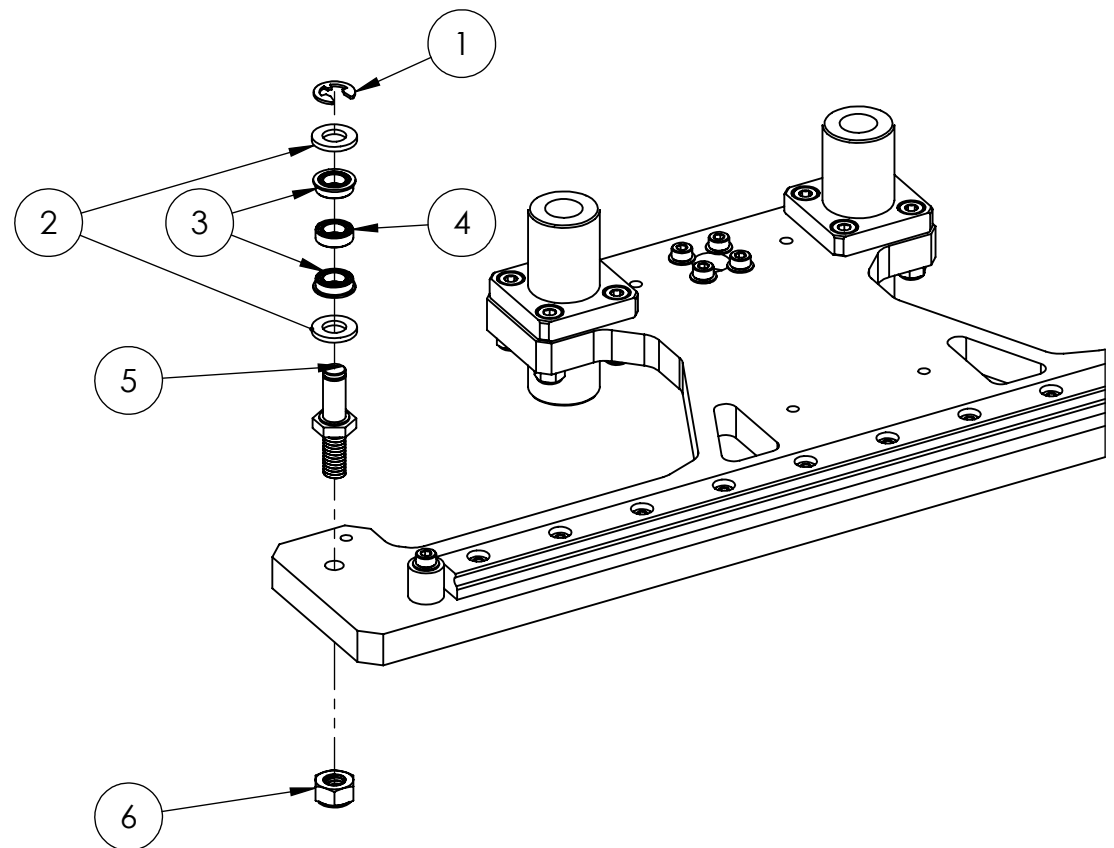
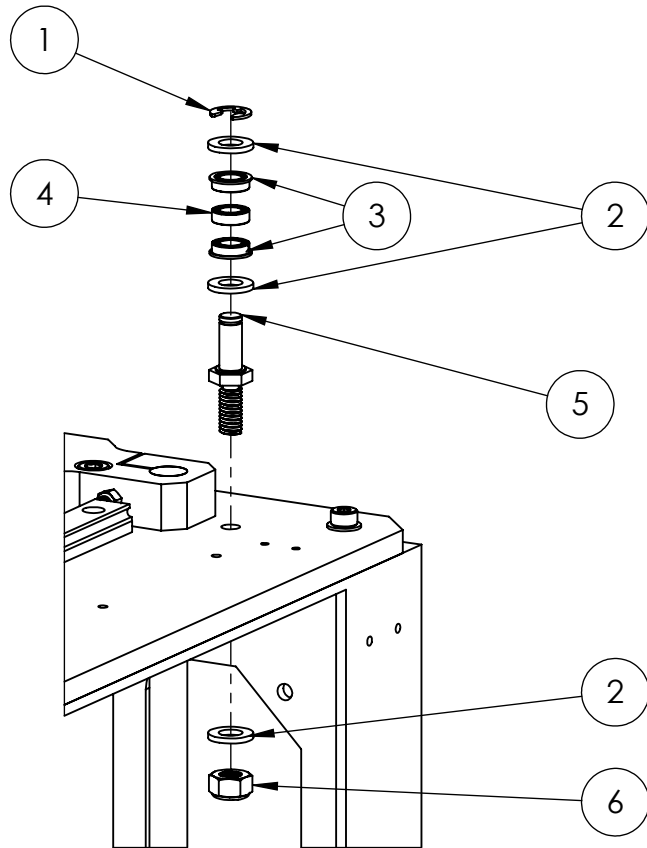
ITEM NO.	DESCRIPTION	QTY.
1	M3x12 SS Socket Cap Screw	3
2	M3x8 SS Socket Cap Screw	1
3	M3 SS Washer	4
4	GT2 Drive Pulley	1
5	X Motor - In motor wiring harness	1

ITEM NO.	DESCRIPTION	QTY.
4	GT2 Drive Pulley	1
6	M3x14 SS Socket Cap Screw	4
7	M3 SS Washer	4
8	Y Motor - In motor wiring harness	1

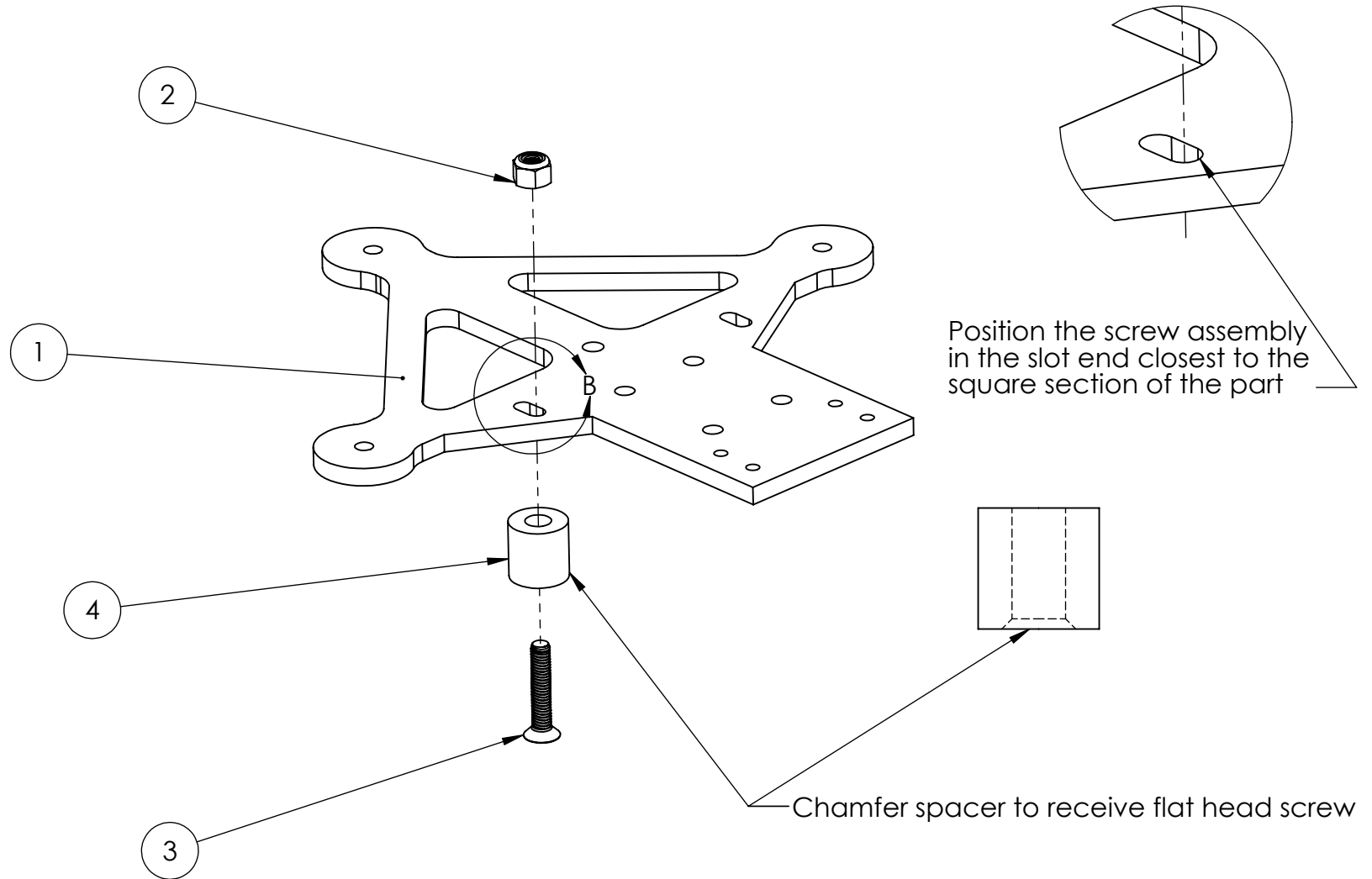


ITEM NO.	DESCRIPTION	QTY.
1	Idler Bolt C-Clip	1
2	M6 SS Washer	3
3	Bearing 5x10x3 SS ZZ Flanged	2
4	Bearing 5x10x3 SS ZZ	1
5	Stainless Steel Idler Bolt	1
6	M6 SS Nylock Nut	1

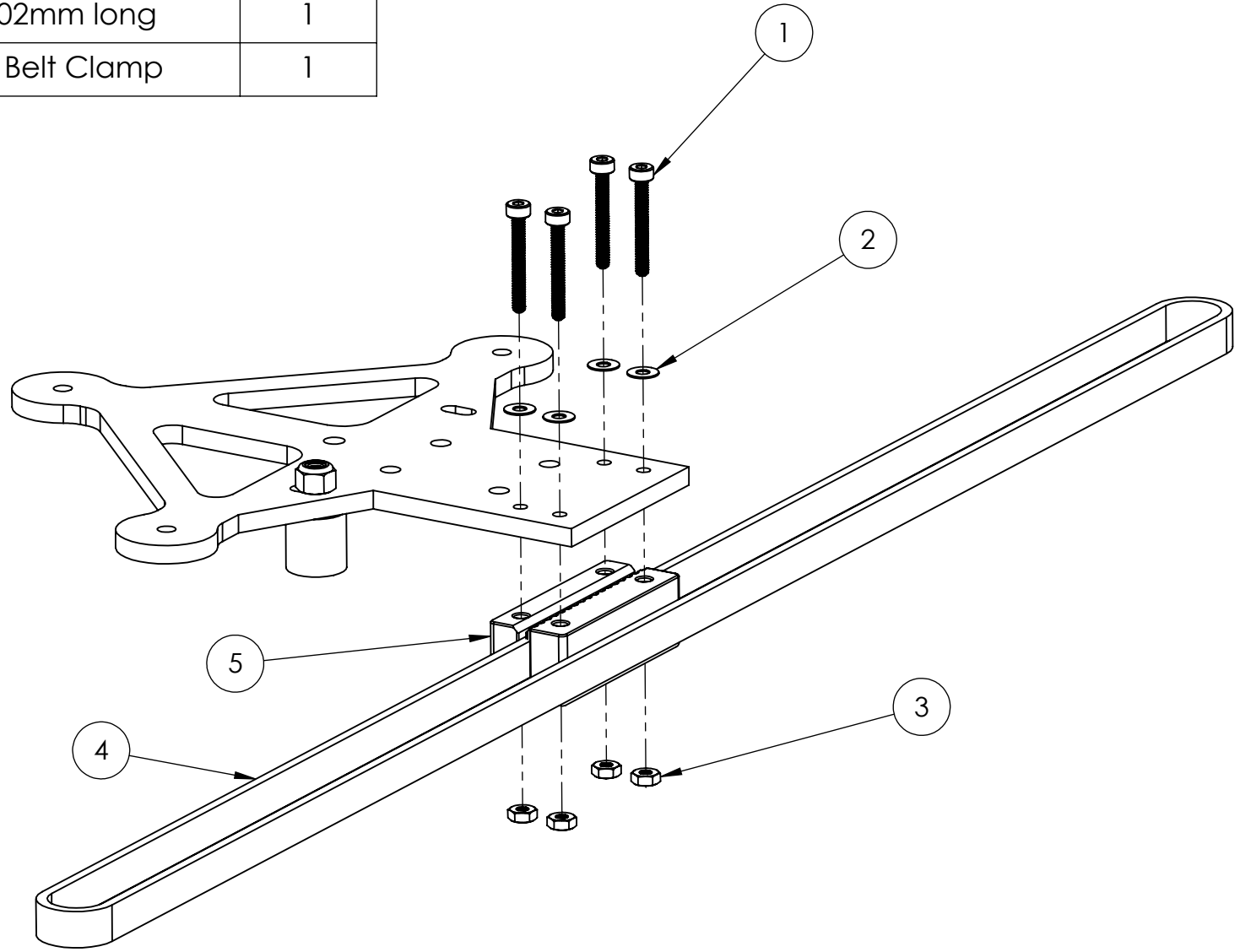
QTY.
1
2
2
1
1
1



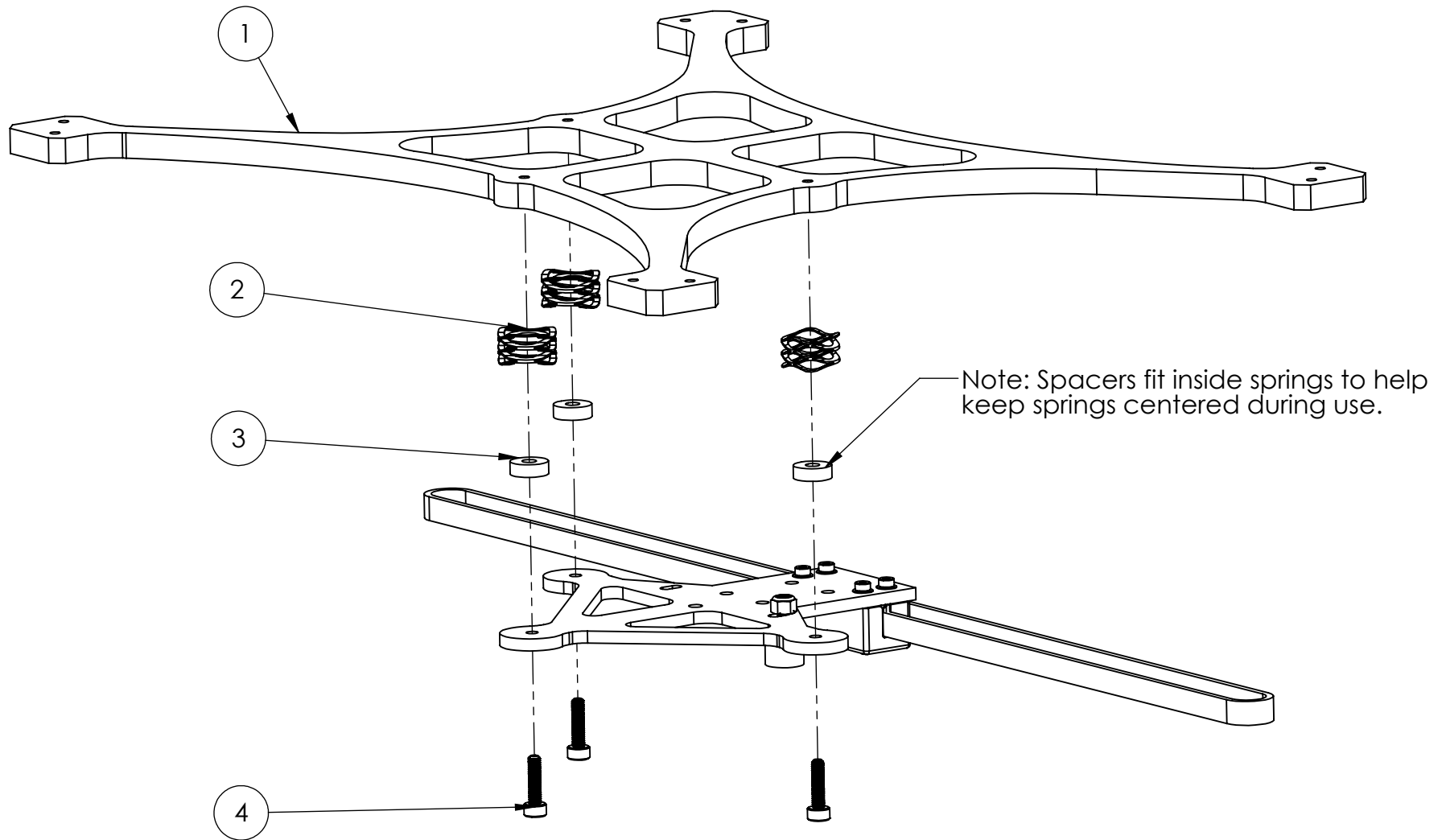
ITEM NO.	DESCRIPTION	QTY.
1	Stainless Steel Spider Mounting Plate	1
2	M3 SS Nylock Nut	1
3	M3x16 SS Socket Cap Screw Flat Head	1
4	3/8" Nylon Spacer	1



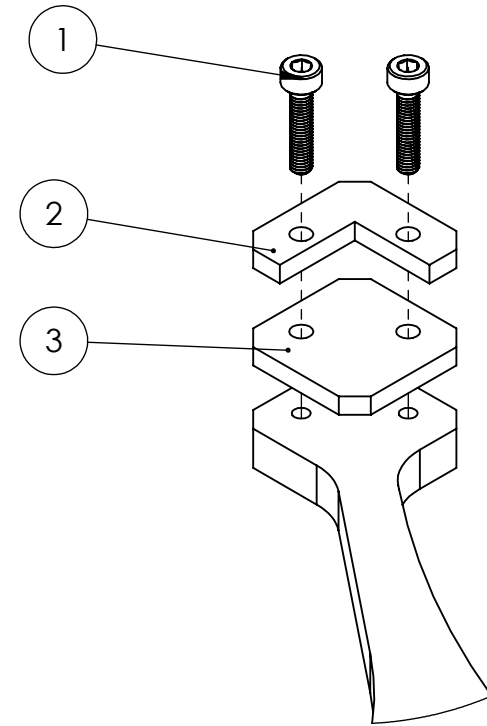
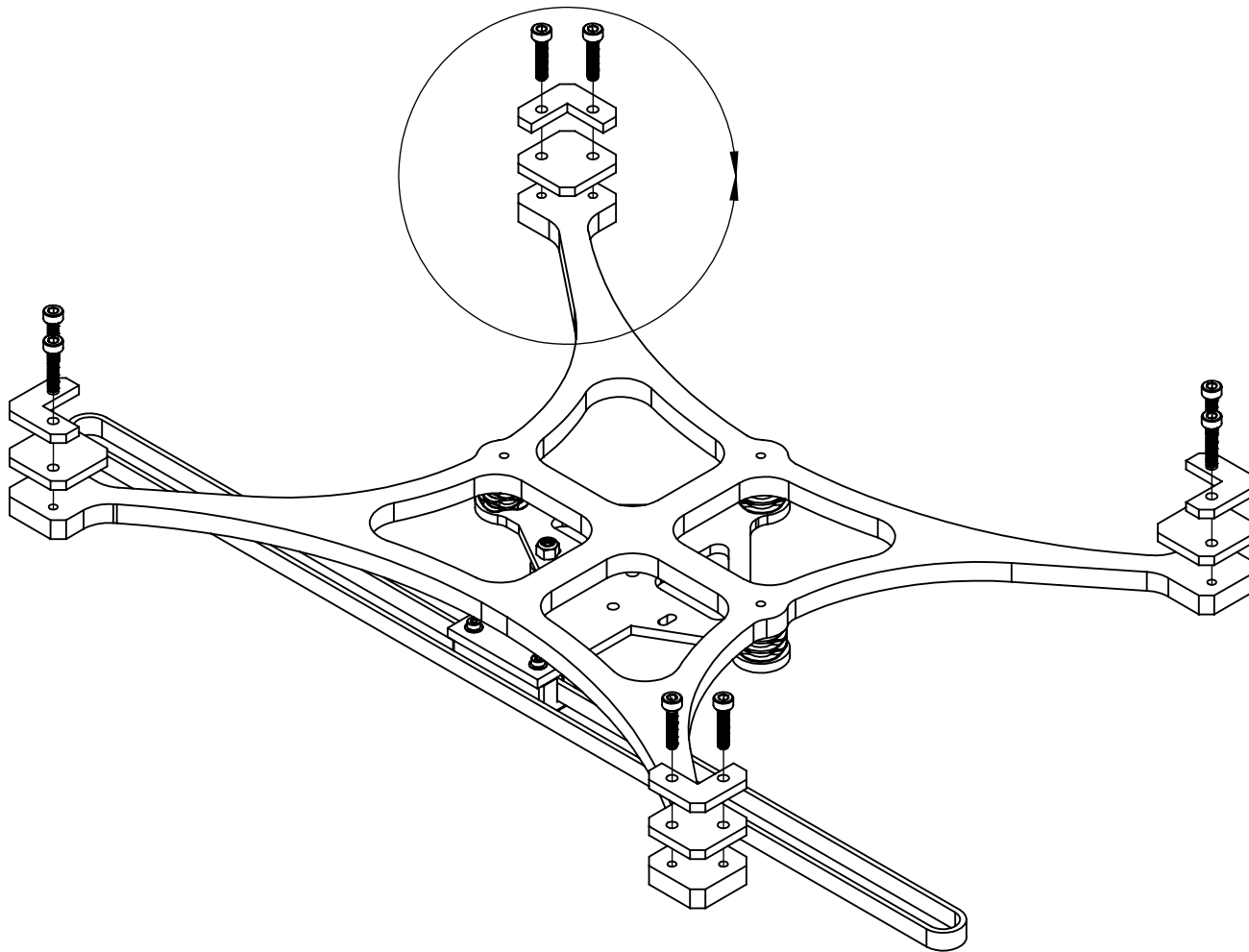
ITEM NO.	DESCRIPTION	QTY.
1	M2x16 SS Socket Cap Screw	4
2	M2 SS Washer	4
3	M2 SS Hex Nut	8
4	GT2 Belt, 702mm long	1
5	3D Printed: Belt Clamp	1



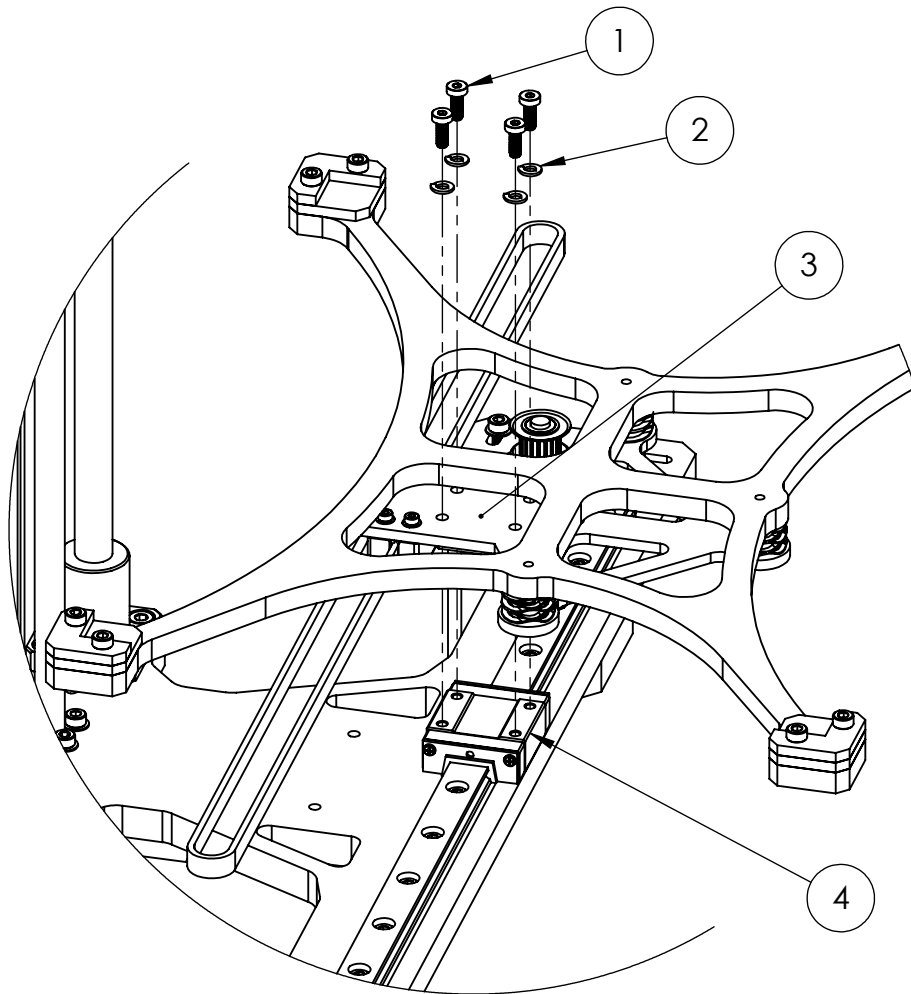
ITEM NO.	DESCRIPTION	QTY.
1	Aluminum Spider	1
2	Steel Wave Springs	3
3	Nylon Bed Spring Spacers - 3/8" OD x 1/8" Lg.	3
4	M3x12 SS Socket Cap Screw	3



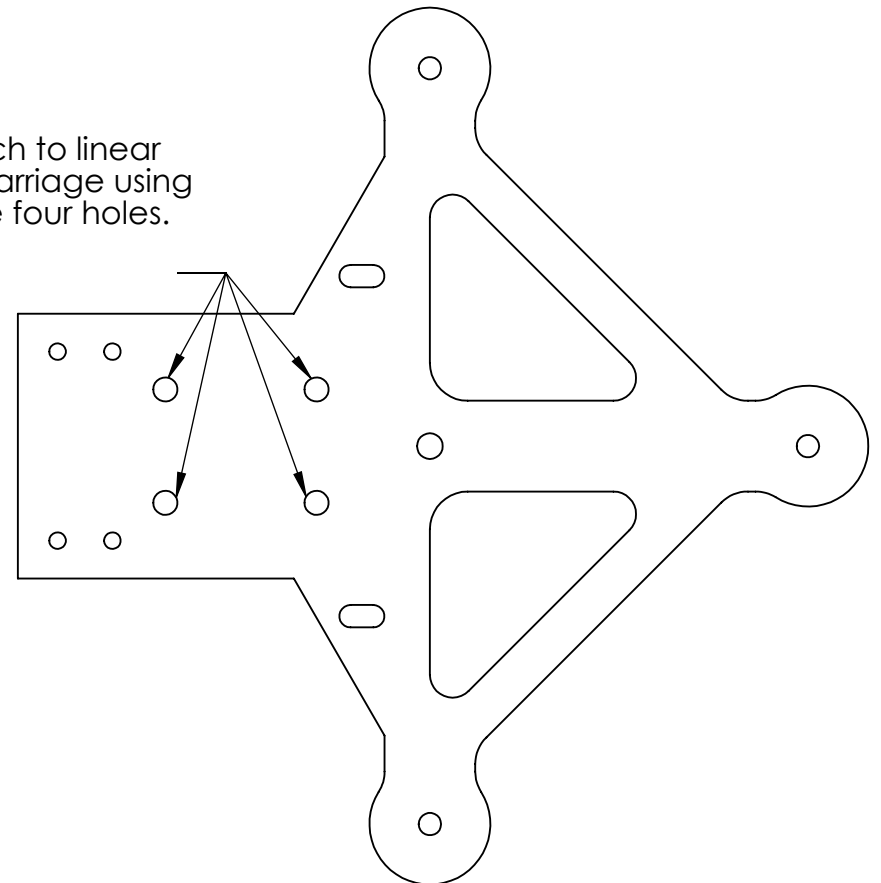
ITEM NO.	DESCRIPTION	QTY.
1	M3x14 SS Socket Cap Screw	8
2	Upper Mounting Bracket	4
3	Lower Mounting Bracket	4

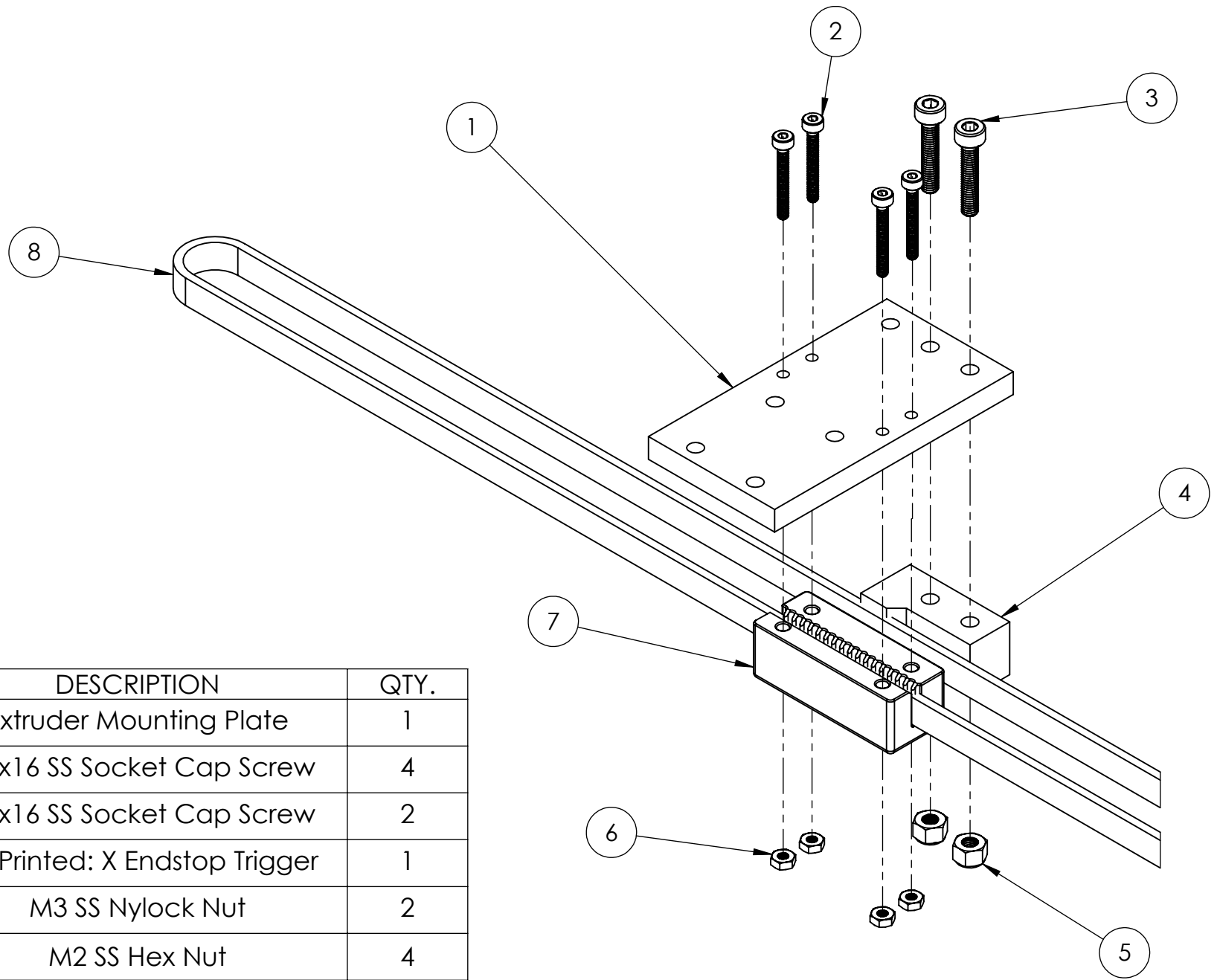


ITEM NO.	DESCRIPTION	QTY.
1	M3x8 SS Socket Cap Screw Low Head	4
2	M3 SS Split Lock Washer	4
3	Stainless Steel Spider Mounting Plate	1
4	Linear Rail Carriage	1



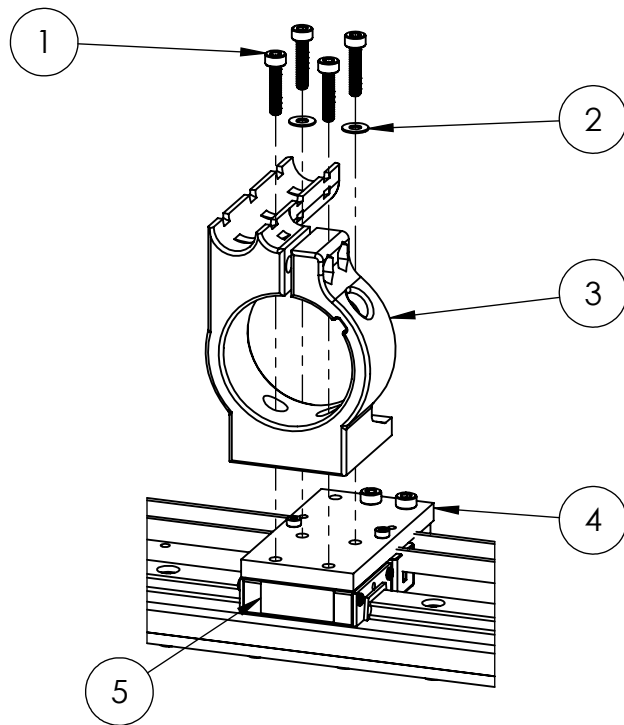
Attach to linear rail carriage using these four holes.





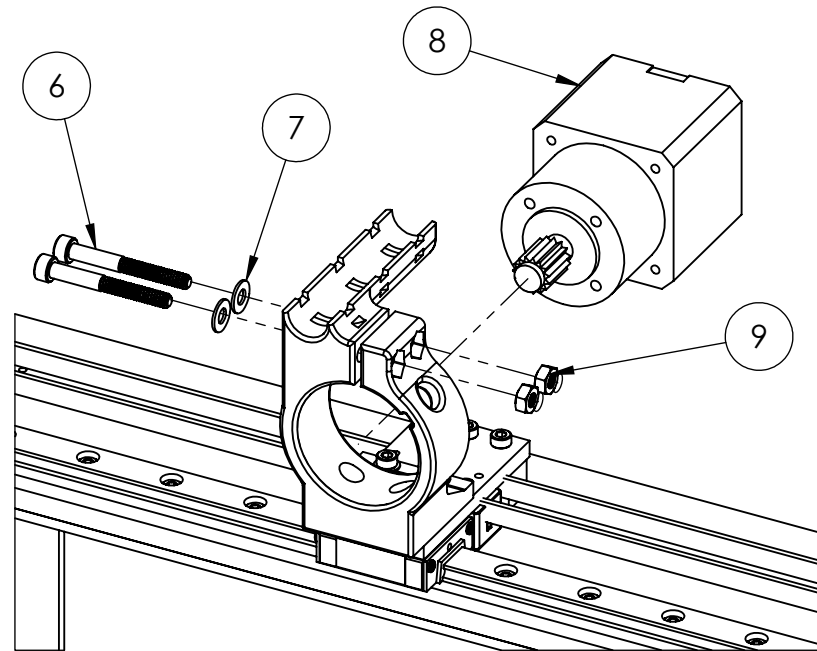
ITEM NO.	DESCRIPTION	QTY.
1	Extruder Mounting Plate	1
2	M2x16 SS Socket Cap Screw	4
3	M3x16 SS Socket Cap Screw	2
4	3D Printed: X Endstop Trigger	1
5	M3 SS Nylock Nut	2
6	M2 SS Hex Nut	4
7	3D Printed: Belt Clamp	1
8	GT2 Belt, 630mm long	1

ITEM NO.	DESCRIPTION	QTY.
1	M3x14 SS Socket Cap Screw	4
2	M3 SS Washer	2
3	3D Printed: Nema 17 5:1 Top Clamp	1
4	Extruder Mounting Plate	1
5	Linear Rail Carriage	1

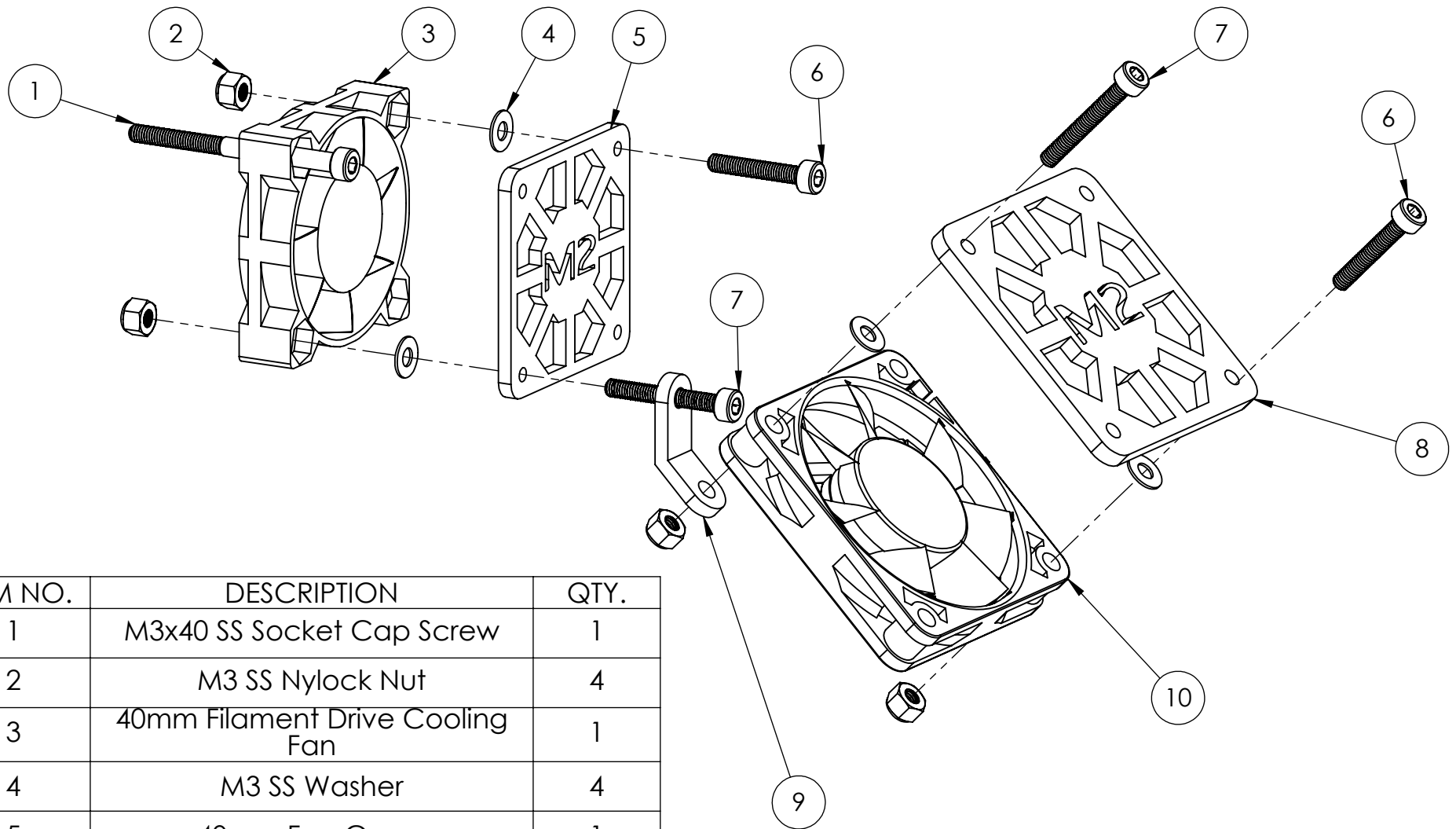


M2 Assembly

ITEM NO.	DESCRIPTION	QTY.
6	M4x35 SS Socket Cap Screw	2
7	M4 SS Washer	2
8	5:1 High-Torque Extruder Drive Motor - In Motor Wiring Harness	1
9	M4 SS Hex Nut	2

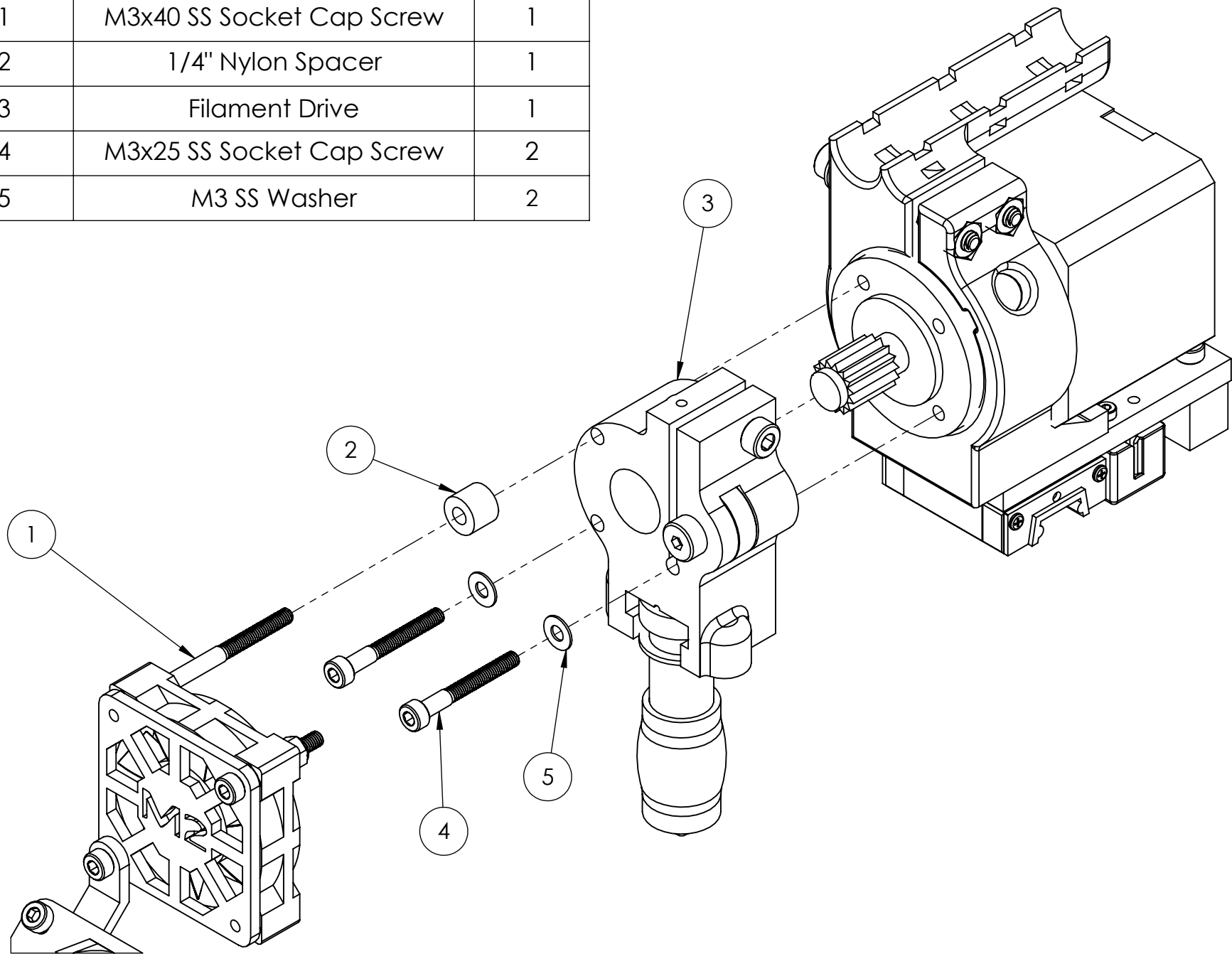


Page 10

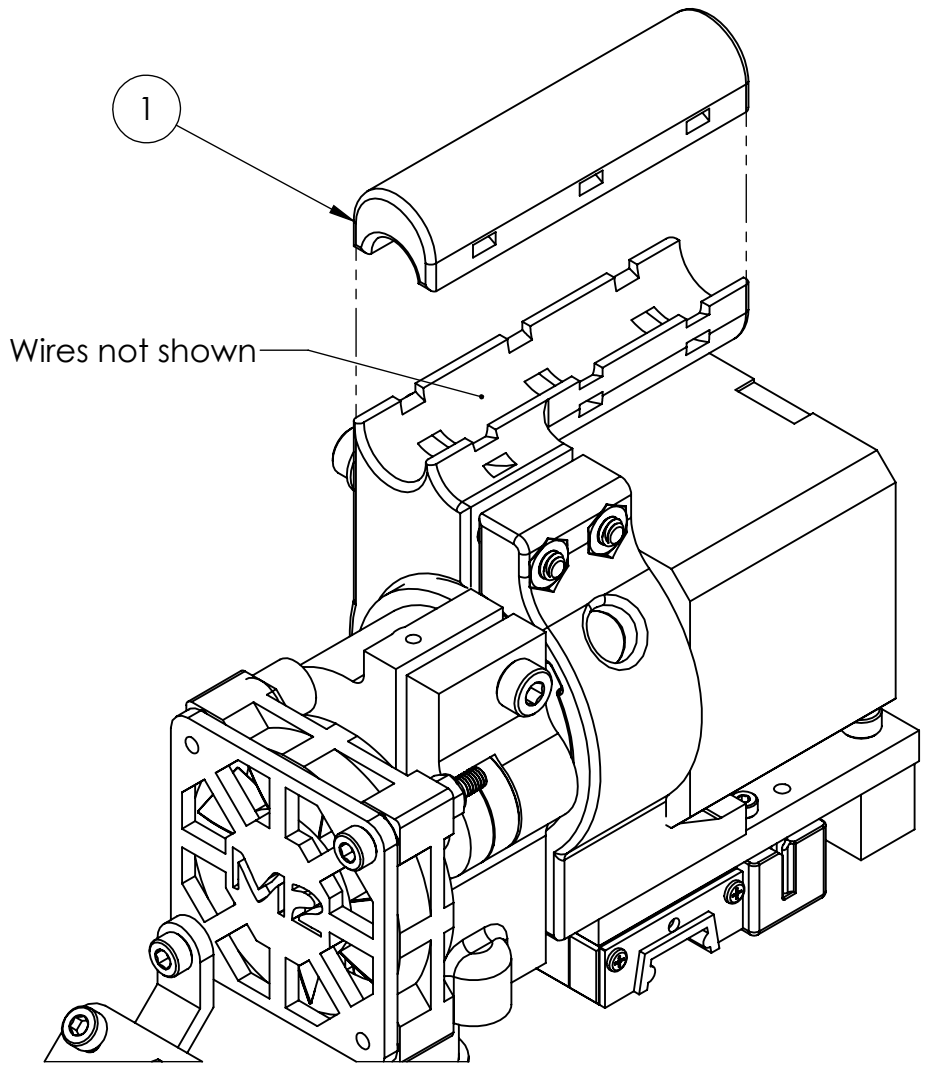


ITEM NO.	DESCRIPTION	QTY.
1	M3x40 SS Socket Cap Screw	1
2	M3 SS Nylock Nut	4
3	40mm Filament Drive Cooling Fan	1
4	M3 SS Washer	4
5	40mm Fan Cover	1
6	M3x18 SS Socket Cap Screw	2
7	M3x22 SS Socket Cap Screw	2
8	50mm Fan Cover	1
9	3D Printed: Fan Bracket	1
10	50mm Bed Cooling Fan	1

ITEM NO.	DESCRIPTION	QTY.
1	M3x40 SS Socket Cap Screw	1
2	1/4" Nylon Spacer	1
3	Filament Drive	1
4	M3x25 SS Socket Cap Screw	2
5	M3 SS Washer	2

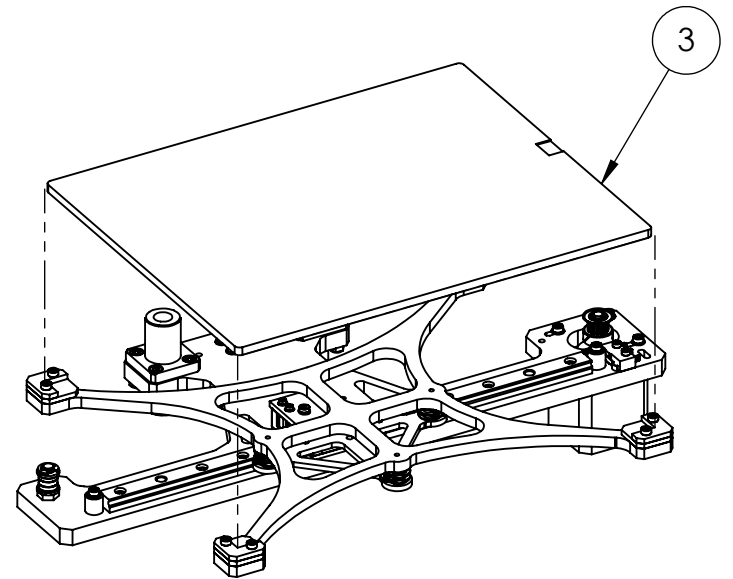
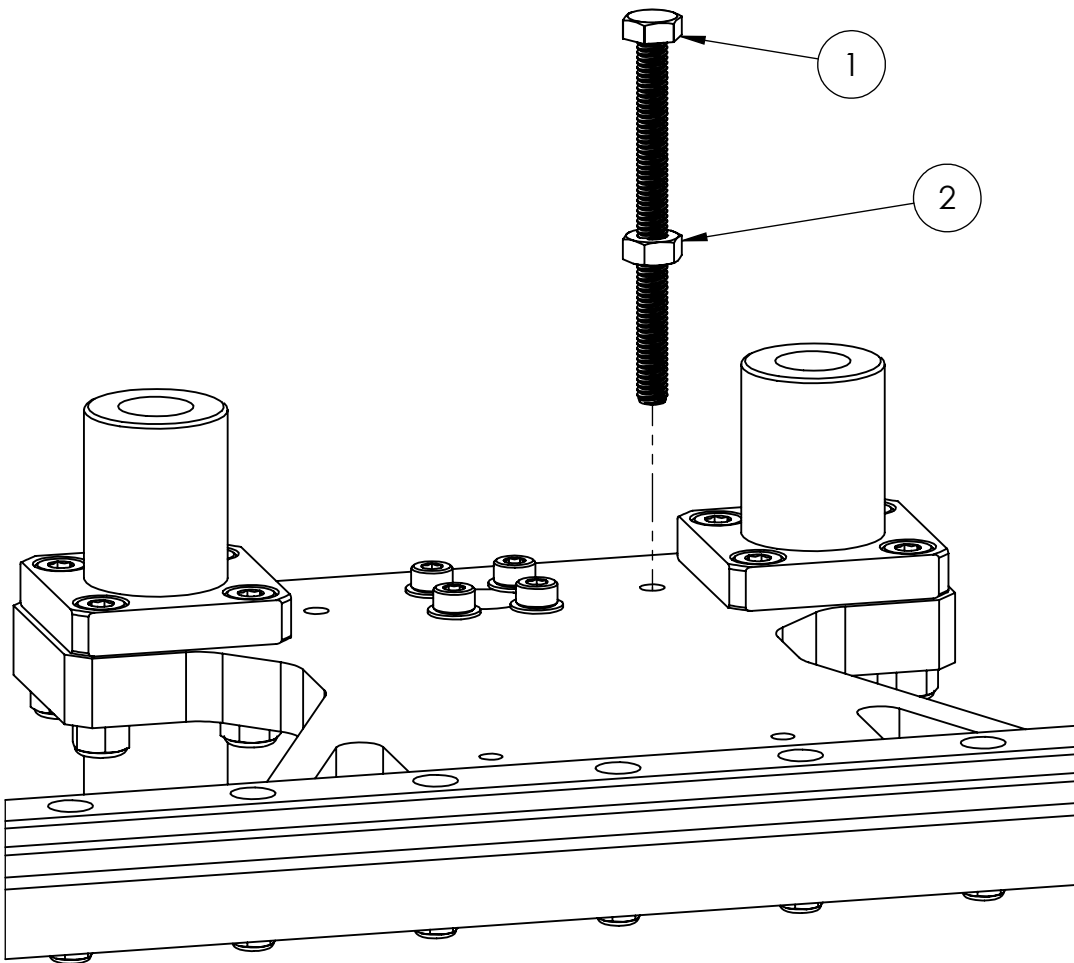


ITEM NO.	DESCRIPTION	QTY.
1	3D Printed: Extruder Wire Cover	1

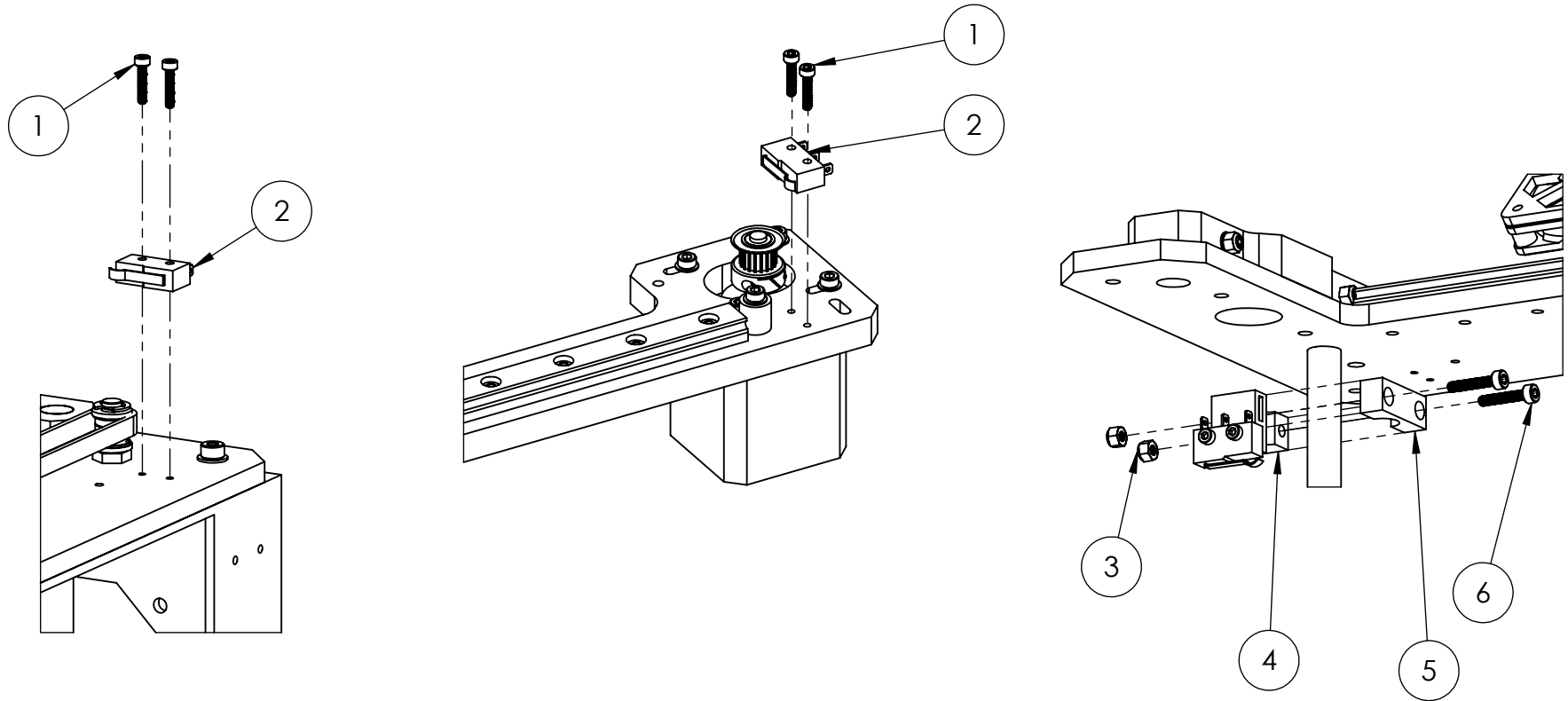


ITEM NO.	DESCRIPTION	QTY.
1	M4x50 SS Hex Cap Screw	1
2	M4 SS Hex Nut	1

ITEM NO.	DESCRIPTION	QTY.
3	Borosilicate Bed	1



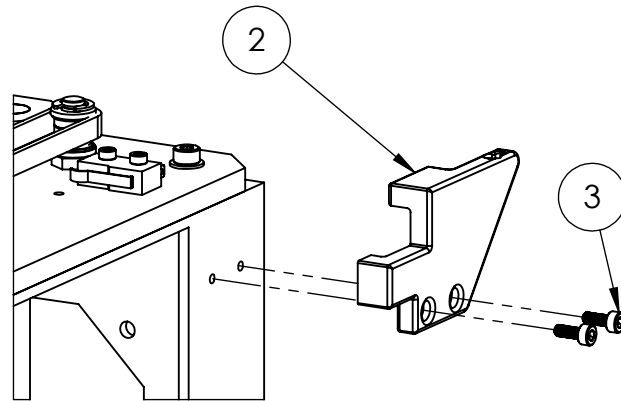
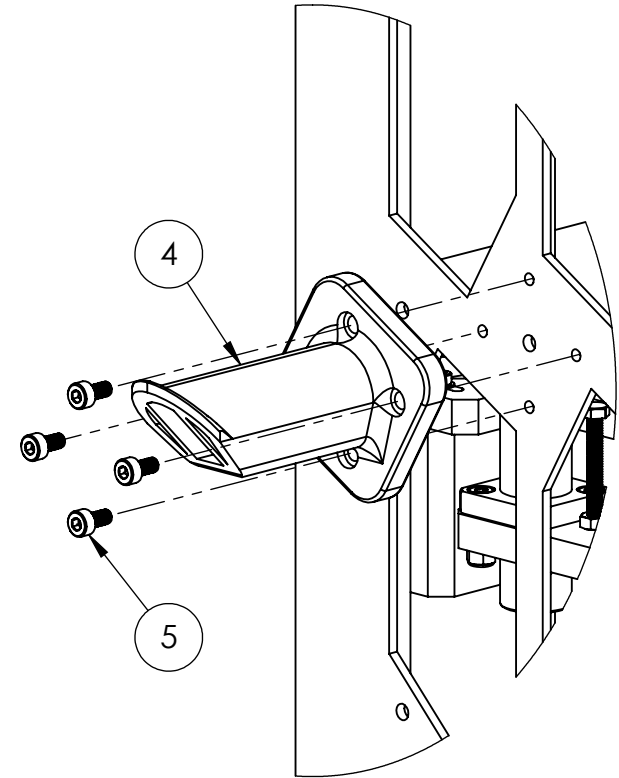
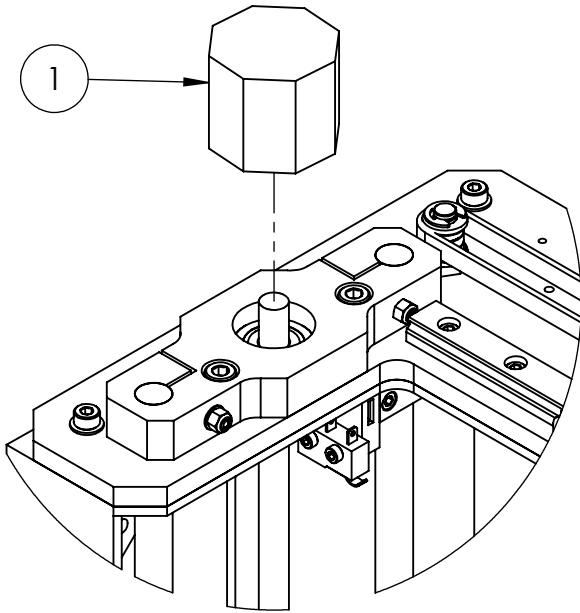
ITEM NO.	DESCRIPTION	QTY.	QTY.
1	M2.5x12 SS Socket Cap Screw	2	2
2	Microswitch	1	1



ITEM NO.	DESCRIPTION	QTY.
3	M3 SS Nylock Nut	2
4	3D Printed: Z Endstop Bracket Body - In motor wiring harness	1
5	3D Printed: Z Endstop Bracket Clamp	1
6	M3x16 SS Socket Cap Screw	2

ITEM NO.	DESCRIPTION	QTY.
1	3D Printed: Z-Axis Knob	1

ITEM NO.	DESCRIPTION	QTY.
4	3D Printed: Spool Holder	1
5	M4x8 Black Socket Cap Screw	4



ITEM NO.	DESCRIPTION	QTY.
2	3D Printed: X Endstop Wire Shroud	1
3	M3x8 SS Socket Cap Screw	2