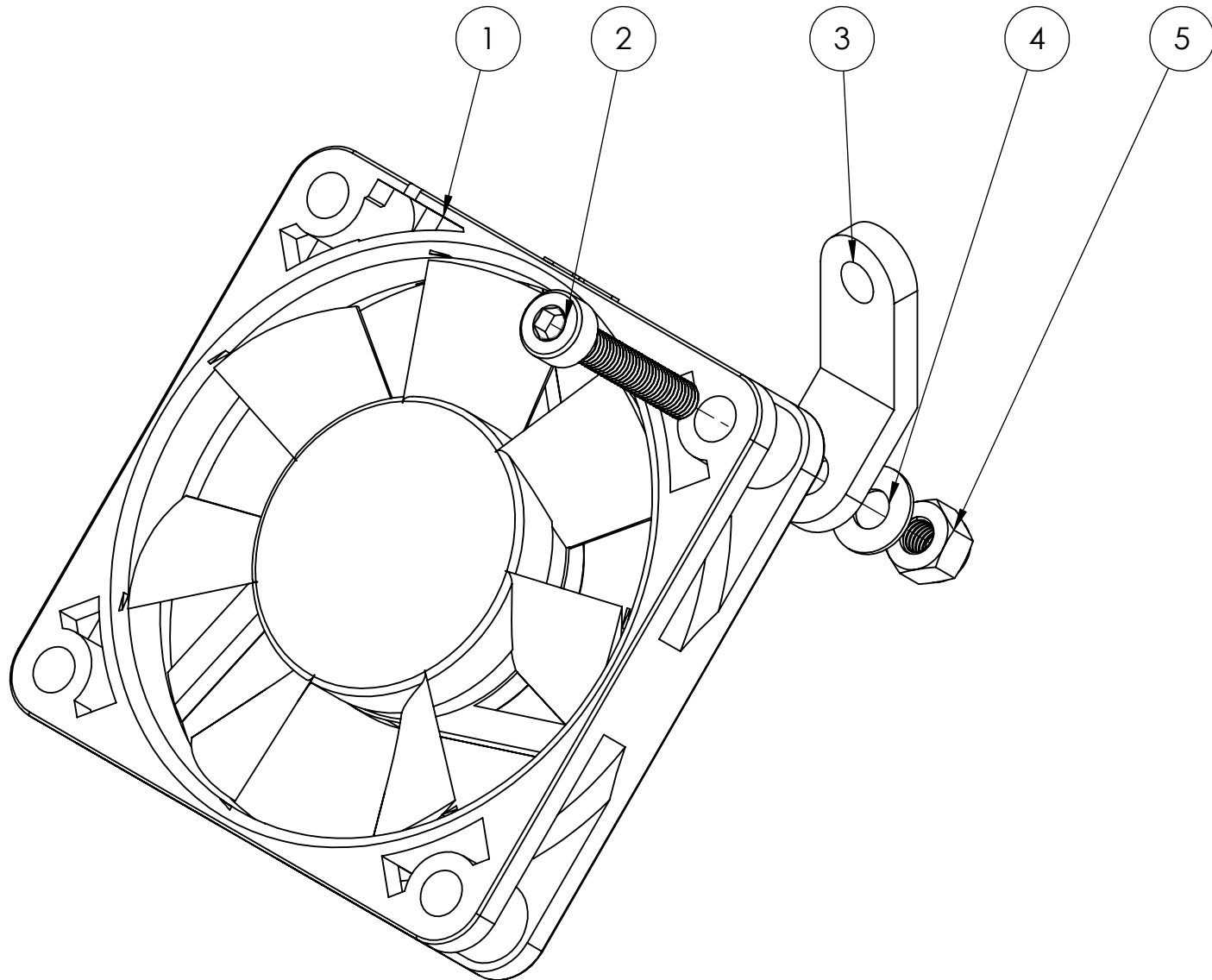
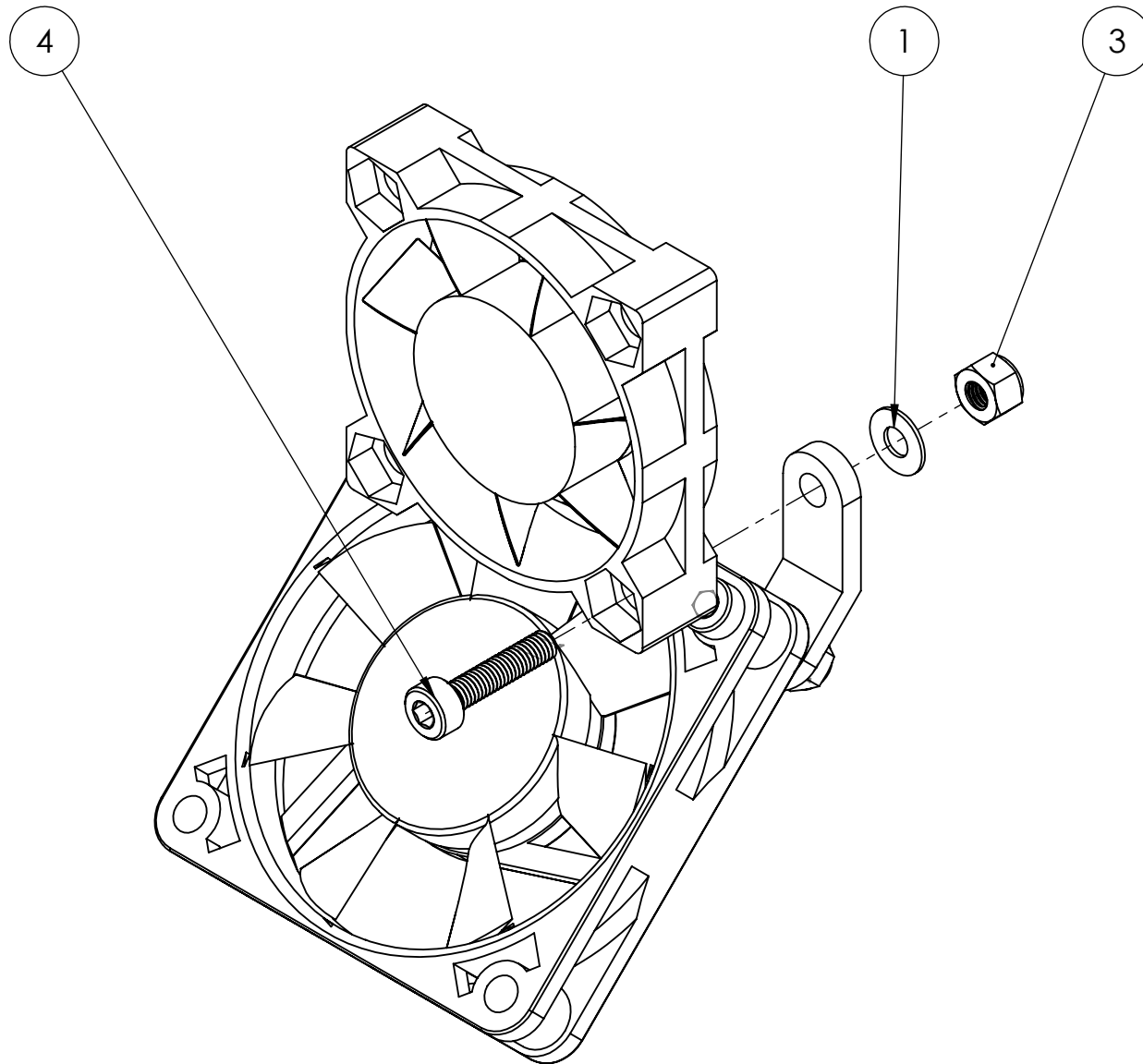


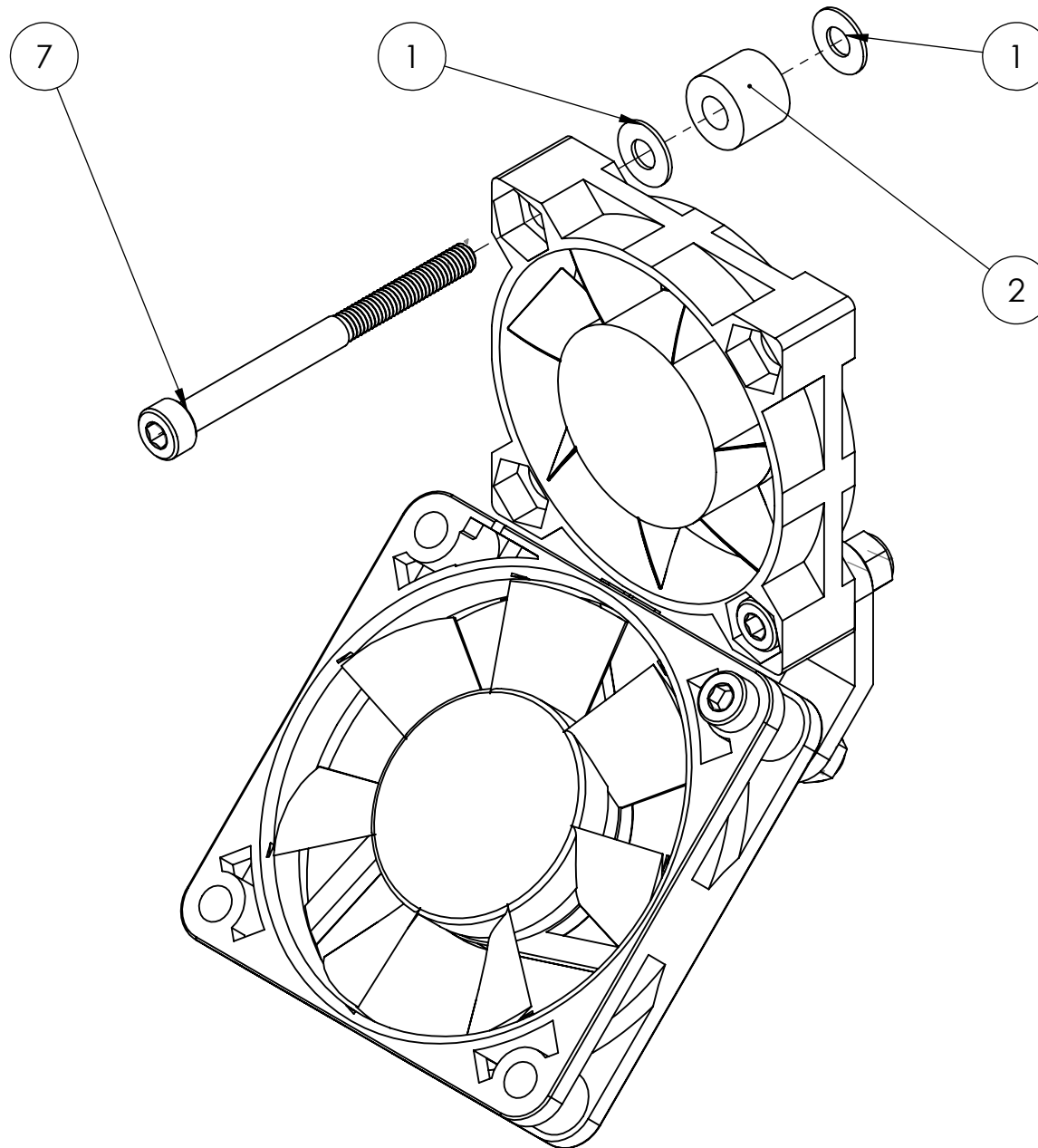
ITEM NO.	DESCRIPTION	Step 1/QTY.
1	50mm Bed Cooling Fan	1
2	M3x18 SS Socket	1
3	Printed Fan Bracket	1
4	M3 SS Washer	1
5	M3 SS Nylock	1



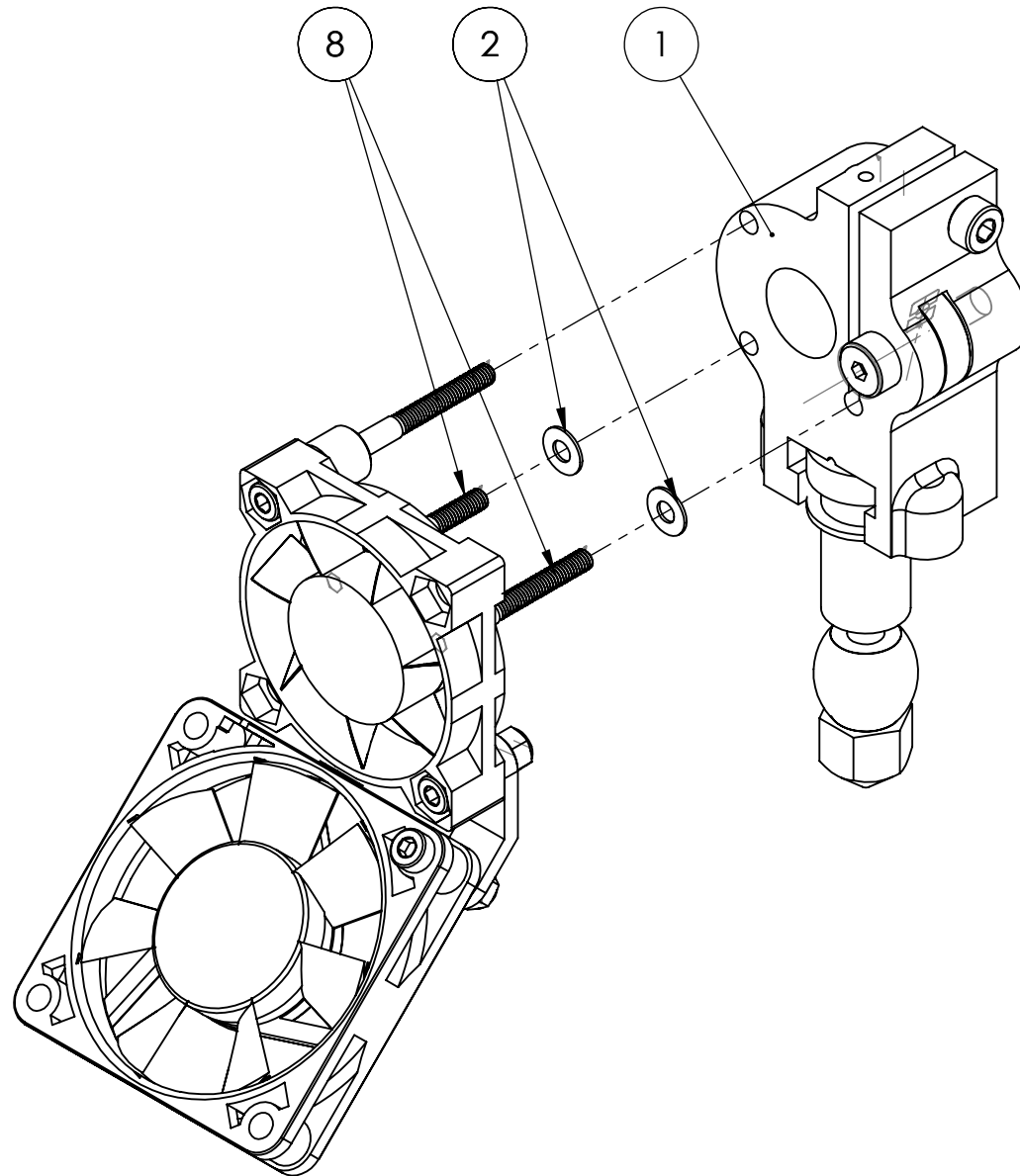
ITEM NO.	DESCRIPTION	Step 2/QTY.
1	M3 SS Washer	1
3	M3 SS Nylock	1
4	M3x14 SS Socket	1
7	40mm Filament Drive Cooling Fan	1



ITEM NO.	DESCRIPTION	Step 3/QTY.
1	M3 SS Washer	2
2	1/4" Nylon Spacer	1
7	M3x40 SS Socket	1



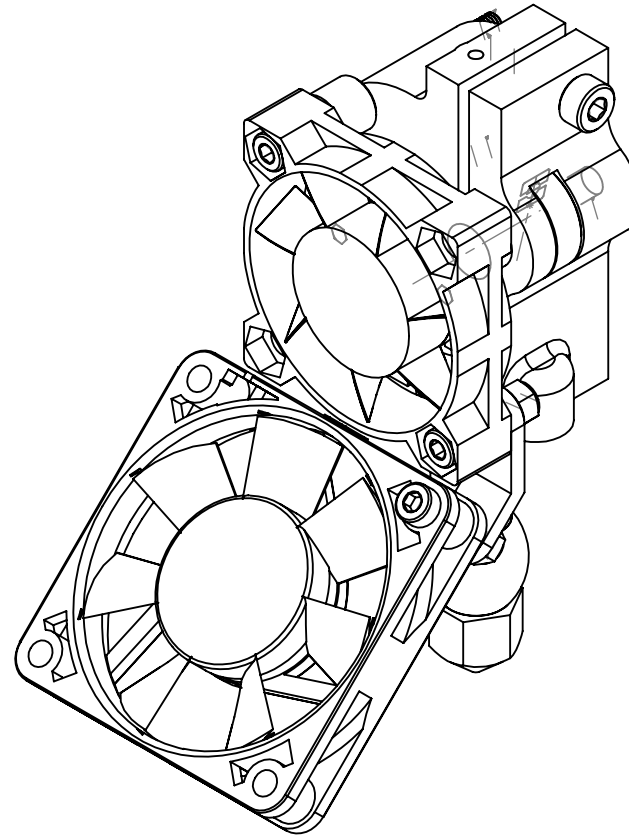
ITEM NO.	DESCRIPTION	Step 4/QTY.
1	Preassembled Filament Drive and Hot End	1
2	M3 SS Washer	2
8	M3x25 SS Socket	2



Full Filament Drive

Step 4

ITEM NO.	DESCRIPTION	Default/ QTY.
1	Preassembled Filament Drive and Hot End	1
2	M3 SS Washer	6
3	1/4" Nylon Spacer	1
4	40mm Filament Drive Cooling Fan	1
5	Printed Fan Bracket	1
6	M3 SS Nylock	2
7	M3x14 SS Socket	1
8	M3x25 SS Socket	2
9	M3x40 SS Socket	1
10	50mm Bed Cooling Fan	1
11	M3x18 SS Socket	1



Full Filament Drive

Full Hardware List