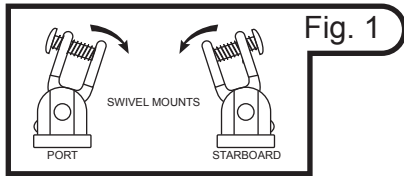
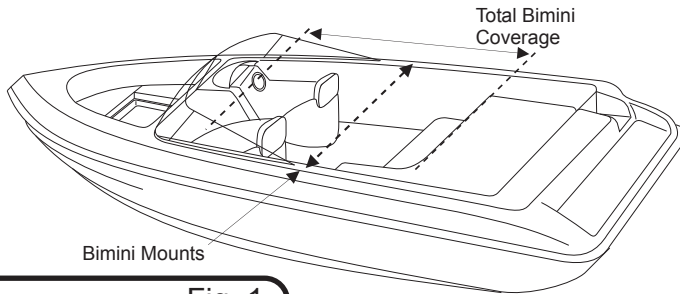


BIMINI

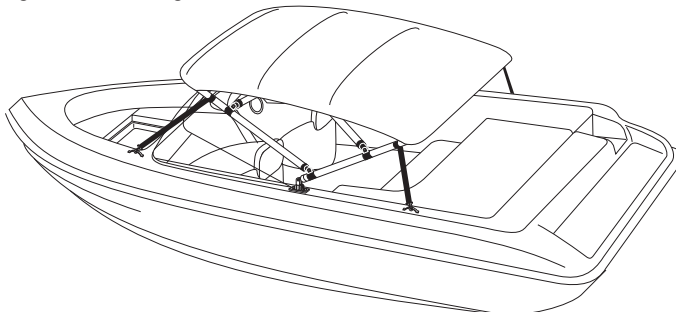
4-Bow Aluminum Bimini Assembly Instructions



12 Determine what area of the boat you want to cover with the bimini. Bimini swivel mount locations are approximately half the distance of the total length of the bimini. Measure for mount placement and mark. Make sure the swivel mounts are parallel to each other and facing with the swivel movement going toward inside of boat (See Fig.1).

Use a 9/64" drill bit with mild pressure to carefully drill holes in boat deck for swivel mounts. Secure mounts with #8x1" mounting screws.

Remove single screws from top of swivel mount. With the help of a friend, each hold a side of the bimini and line up eye ends on Bow 1 with the swivel mounts keeping the label at the back. Secure eye ends to swivel mounts with previously removed screws facing as shown in Fig.1.

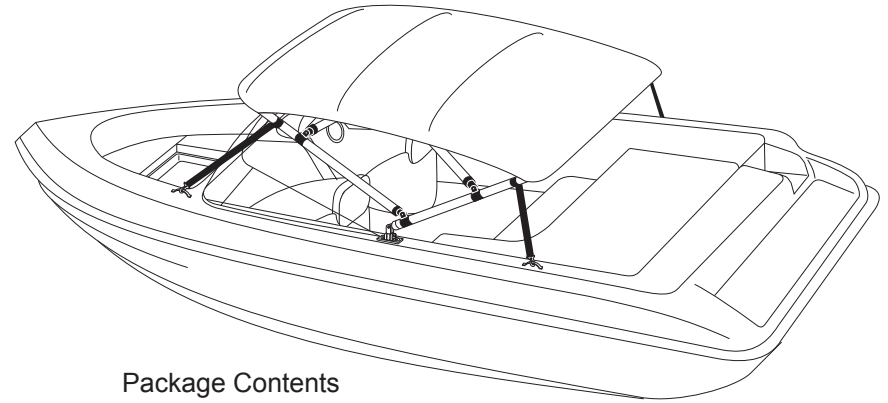


13 With bimini secure in the mounts, open the bimini and determine the best position for the hold down strap eyes. Strap eyes should be mounted to a flat surface whenever possible and straps should maintain an angle between 30 and 60 degrees from front to rear. To minimize side to side movement, it is suggested to mount front strap eyes as far inboard as allowable. Line up strap eyes across the boat.

Drill mounting screw holes for strap eyes in a similar fashion to the holes for the swivel mounts and secure eyes to the boat using the #8x1" screws. Clip hold down straps to the strap eyes and adjust tension. Enjoy your bimini!

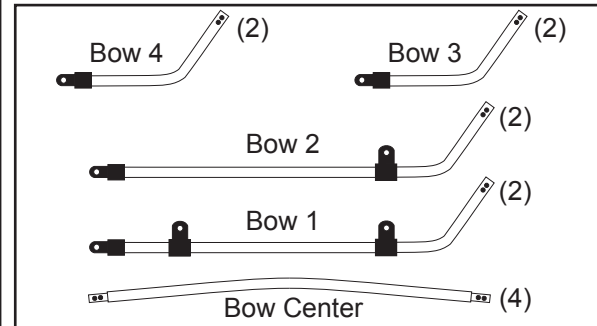
BIMINI

4-Bow Aluminum Bimini Assembly Instructions



Package Contents

Bow Pieces

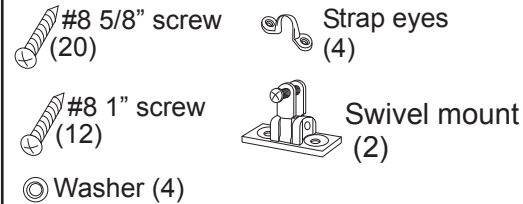


Important!

Each bow part is labeled with the bow number -1, -2, etc. Organize bow pieces by grouping together all -1s, all -2s, etc.

If your bimini is missing any of these parts, please contact the retailer or dealer from whom you purchased the bimini before proceeding with the installation.

Hardware Kit



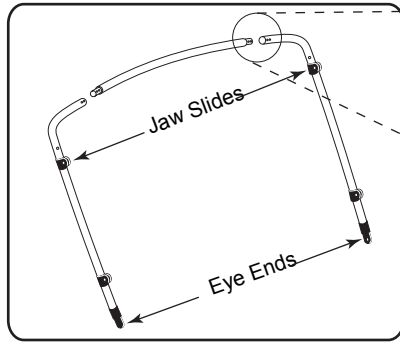
Strap Kit



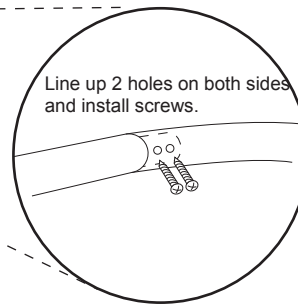
Tools Required



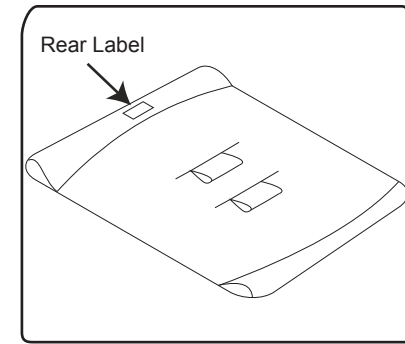
Westland Industries is not responsible for any injuries to persons or damages to the boat during assembly and installation of this product. Installation of this product may void your boat warranty, check with your dealer. Replace any worn parts to increase the life of your product. Do not exceed speeds of 40 mph with bimini in upright position or damage may occur.



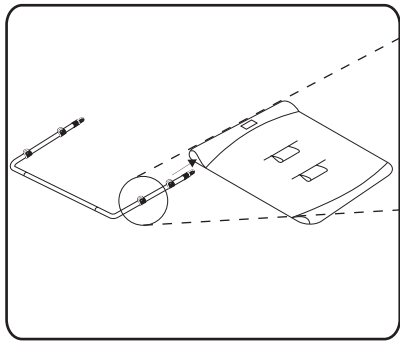
1 Assemble pieces of Bow 1 by attaching both Bow 1 sides to the Bow 1 center.



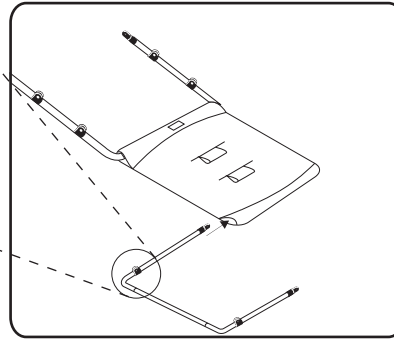
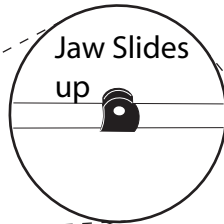
Line up 2 holes on both sides and install screws.
2 ... and inserting 5/8" screws as shown. Repeat steps 1 and 2 for other bows.



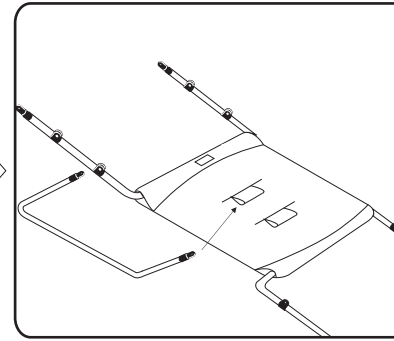
3 Lay bimini fabric face down on a flat clean surface (label on rear sleeve will be facing up)



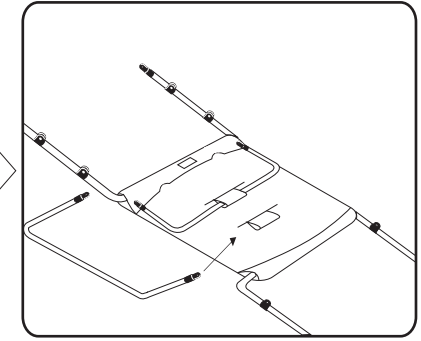
4 Position Bow 1 as shown with jaw slides facing up. Thread Bow 1 thru rear sleeve.



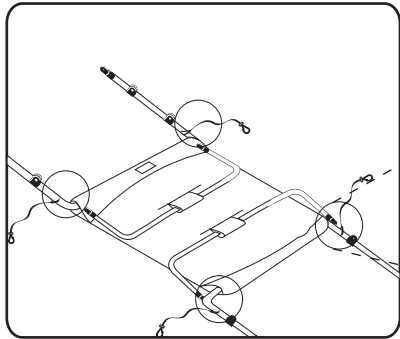
5 Position Bow 2 as shown with holes facing up. Thread Bow 2 through front sleeve of fabric.



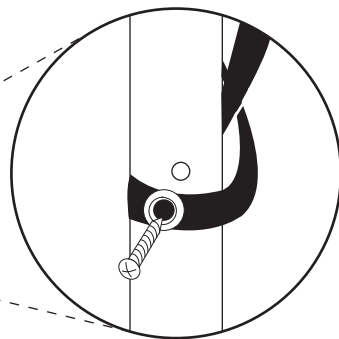
6 With other bows extended away from top, thread Bow 3 through middle sleeve.



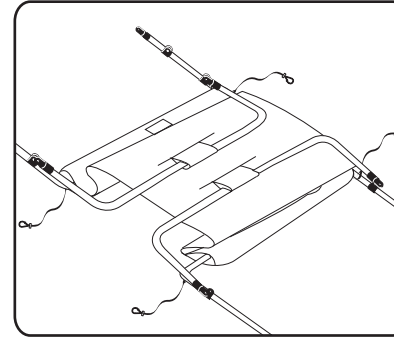
7 Thread Bow 4 through front center sleeve.



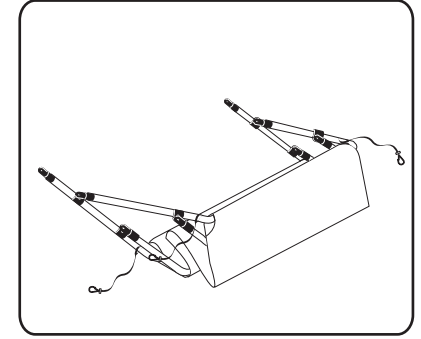
8 Pass looped end of each hold down strap over end of bow.



9 Line up hole in each strap with the hole in the bow. Insert #8x5/8" screw through washer and strap, and secure into bow. Strap should extend away from the top. Repeat for remaining bow straps.



10 Remove screws from Bow 1 jaw slide nearest to Bow 3. Thread screw through jaw slide and Bow 3 eye end and secure to connect pieces. Eye ends will rotate to line up. Repeat steps above with Bow 2 and Bow 4.



11 Remove screws from remaining jaw slide of Bow 1. Thread screw through jaw slide and Bow 2 eye end and secure to connect. Eye ends will rotate to line up.