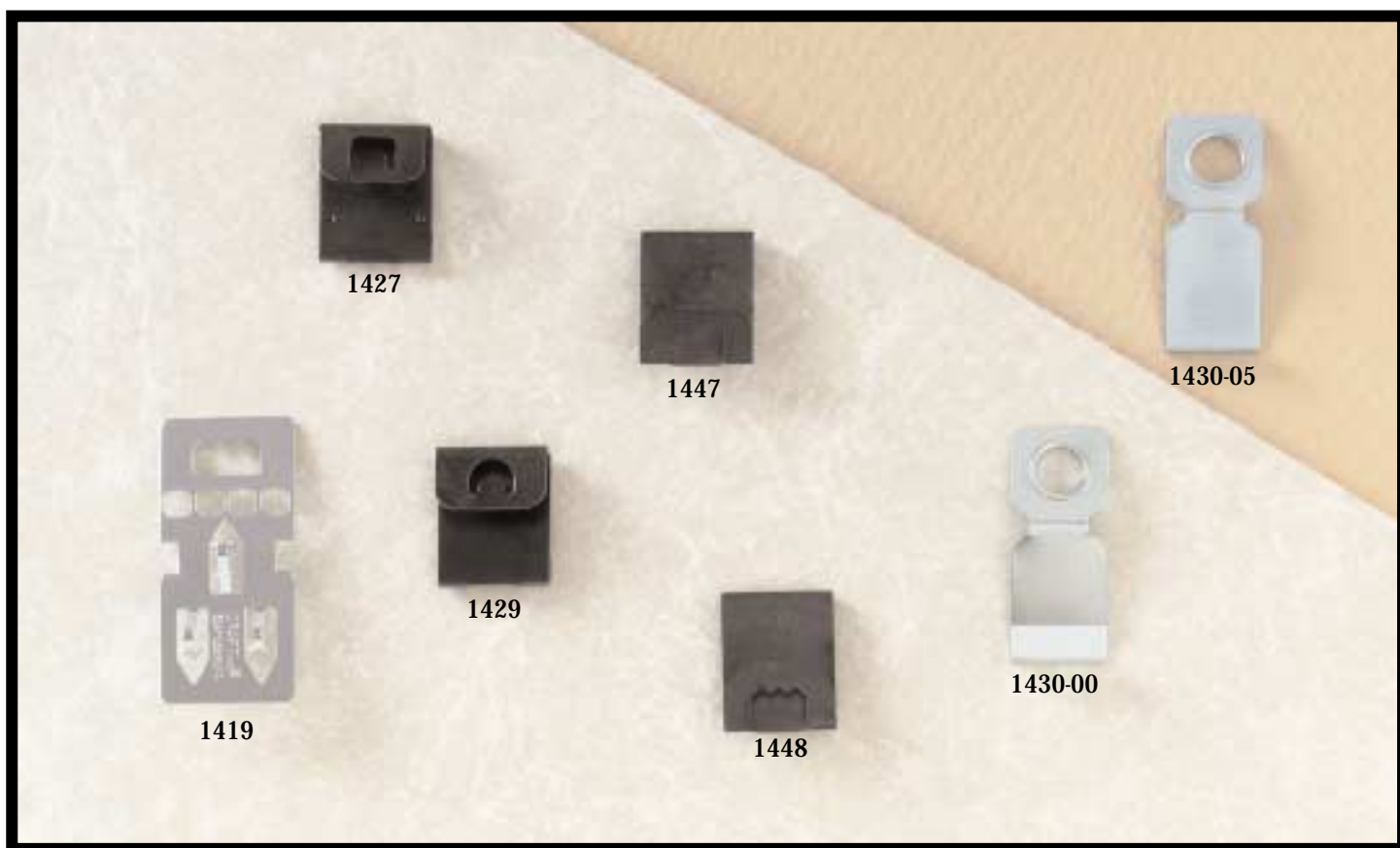


SPECIAL APPLICATION HANGERS



We offer a variety of labor saving hangers for special applications. Slip Over hangers provide a quick, easy and cost-effective up-scale look. Hangers for Mylar frames are simple in design and low in cost; a standard in the industry. Foam Core hangers provide a simple solution to a difficult problem... finally a high quality press-in hanger that really works.

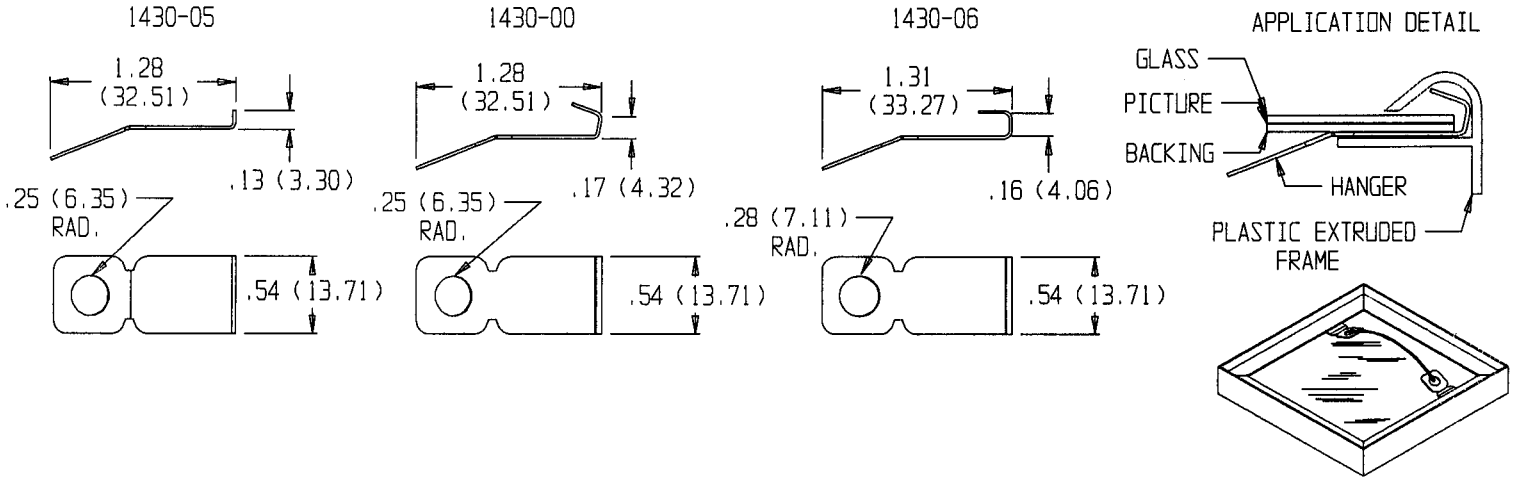
Many of our hangers can be installed with quality, custom Craft equipment. Please call us for more information.



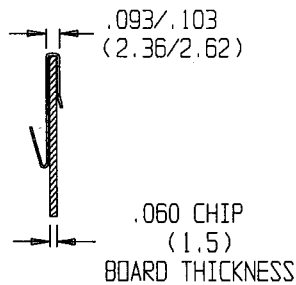
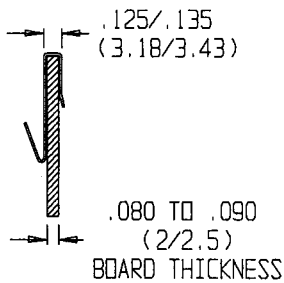
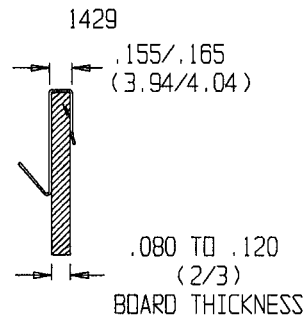
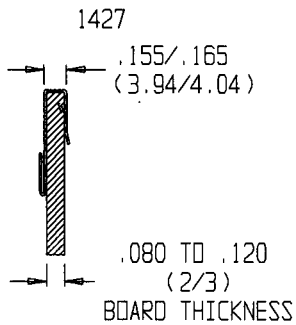
CRAFT INC.® “Pioneers in Self-Fastening Hardware”

1929 County Street • P.O. Box 3049 • South Attleboro, MA 02703-0912 USA • 1-800-8CRAFT8 ~ 508-761-7917 ~ Fax: 508-399-7240
[www: www.craft-inc.com](http://www.craft-inc.com) ~ [email: craft@craft-inc.com](mailto:craft@craft-inc.com)

Product Specifications: Special Application Hangers



SLIP ON HANGERS



APPLICATION OF HANGER TO BOARD

