

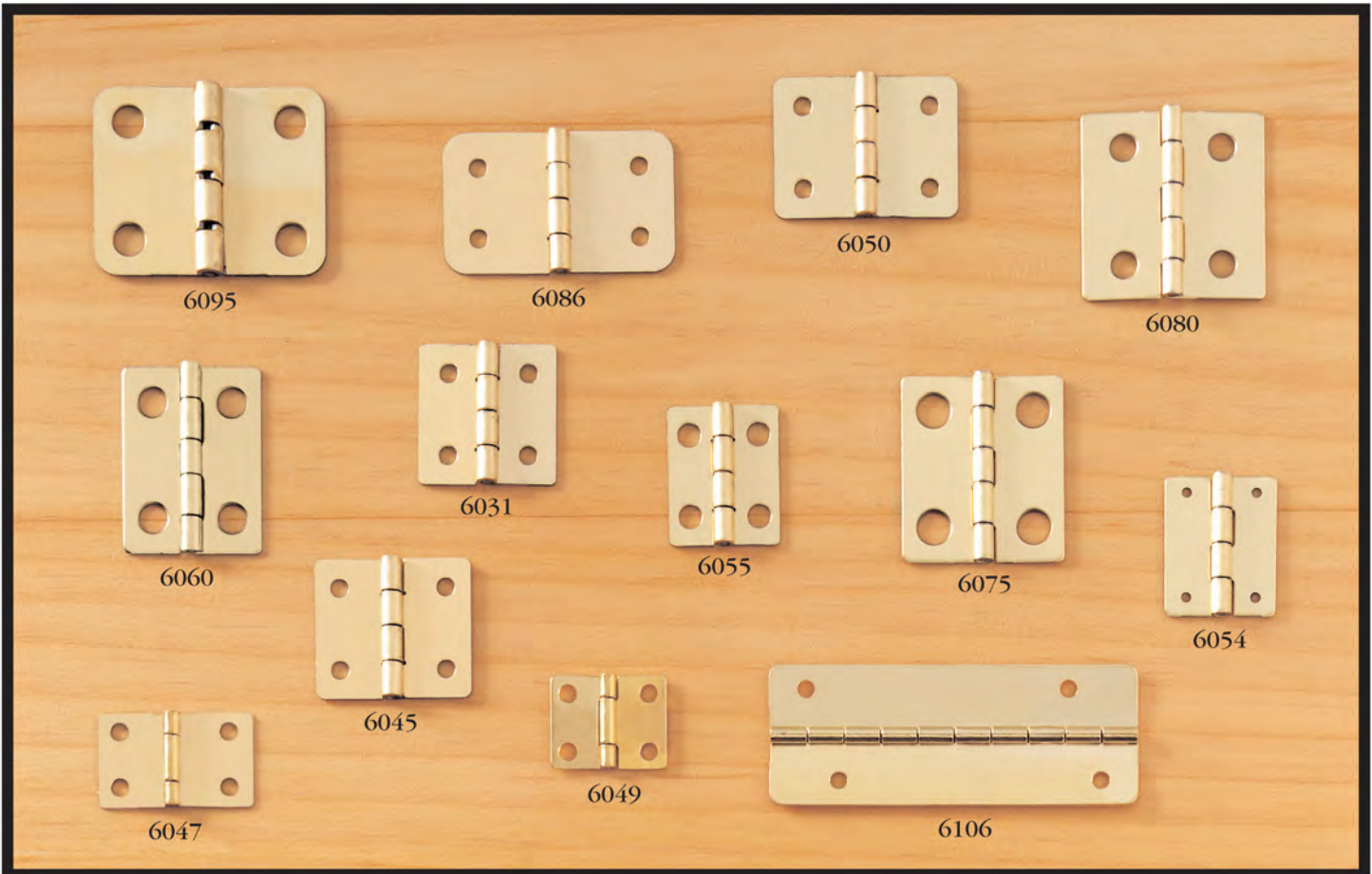
# SCREW, NAIL & RIVET HINGES



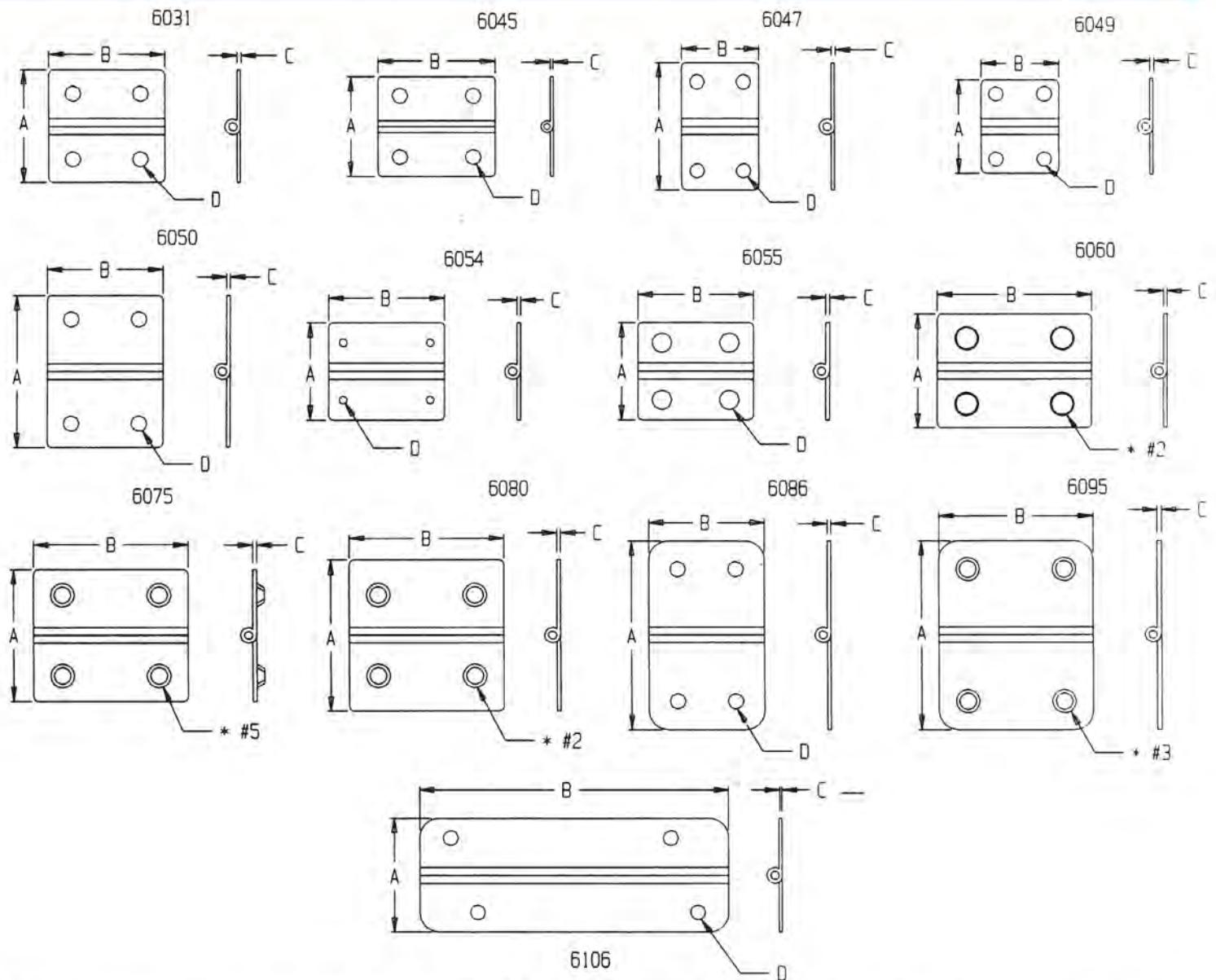
Craft Inc. manufactures a variety of Screw, Nail & Rivet Hinges in a number of sizes for your entire inventory of wooden boxes. Hinges fastener locations are available in a number of widths to accommodate any fastening methods.

As always, you will find our Craft products to be the higher quality and more cost effective for your operation.

We also have a variety of SPOT WELDING hinges available. Please contact the sales department for more information.



# Product Specifications: Screw, Nail & Rivet Hinges



HINGE	A	B	C	D	HINGE	A	B	C	D
6031	.750( 19.05 )	.750( 19.05 )	.018( .46 )	.100( 2.54 )	6060	.750( 19.05 )	1.000( 25.40 )	.025( .64 )	*
6045	.843( 21.41 )	.760( 19.30 )	.020( .51 )	.100( 2.54 )	6075	.875( 22.22 )	1.000( 25.40 )	.025( .64 )	*
6047	.850( 21.59 )	.500( 12.70 )	.020( .51 )	.094( 2.38 )	6080	1.000( 25.40 )	1.000( 25.40 )	.025( .64 )	*
6049	.625( 15.88 )	.500( 12.70 )	.020( .51 )	.094( 2.38 )	6086	1.250( 31.75 )	.750( 19.05 )	.025( .64 )	.100
6050	1.000( 25.40 )	.750( 19.05 )	.025( .64 )	.100( 2.54 )	6095	1.250( 31.75 )	1.000( 25.40 )	.036( .91 )	*
6054	.600( 15.24 )	.750( 19.05 )	.025( .64 )	.050( 1.27 )	6106	.750( 19.05 )	2.000( 50.80 )	.020( .51 )	.096
6055	.600( 15.24 )	.750( 19.05 )	.025( .64 )	.125( 3.18 )					

\* C' SUNK HOLE FOR SPECIFIED FLAT HEAD SCREW

TOLERANCES AS FOLLOWS  
 A = + - .005( .127 )  
 B = + - .010( .254 )  
 C = + - .002( .050 )  
 D = + - .003( .076 )