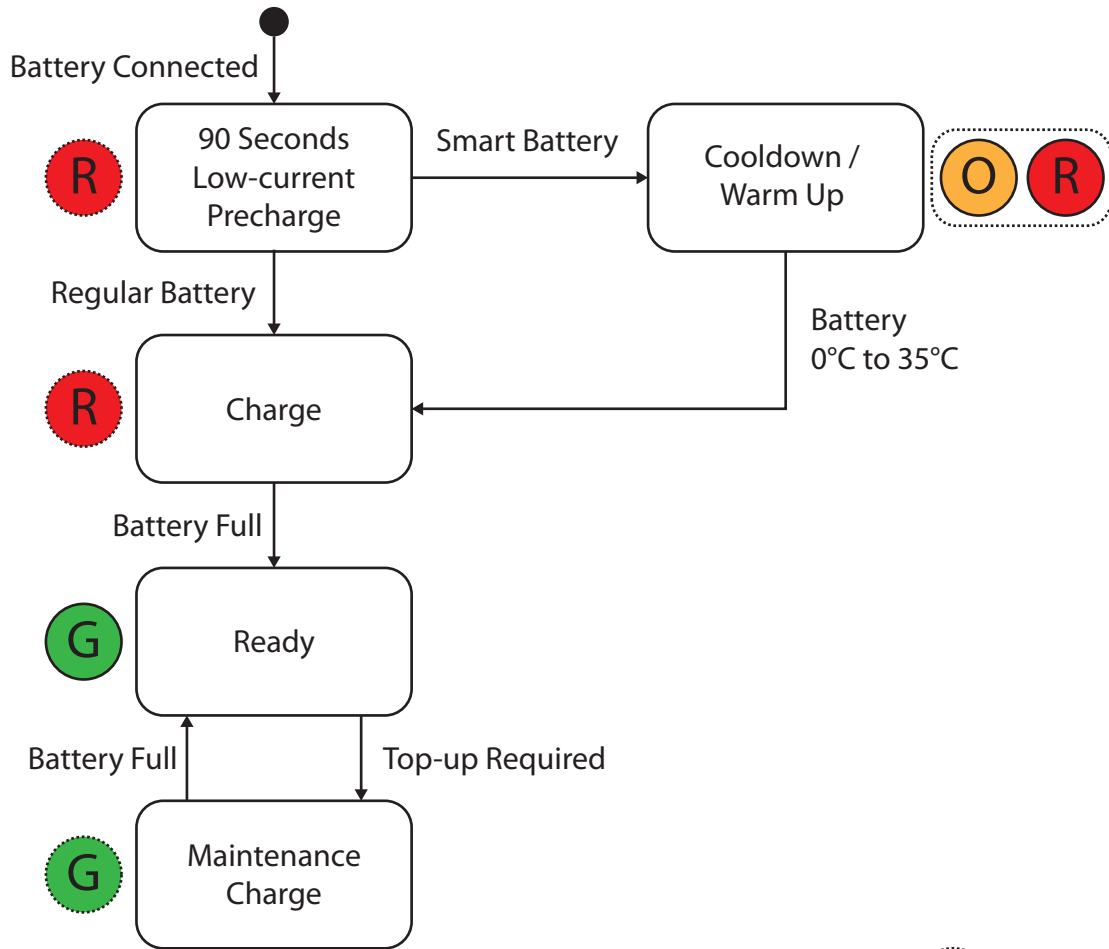



QC-4X Flowchart

For Firmware Version 3.0



 Indicates Flashing

Indicator

Error

Troubleshooting

 x1

Battery Temperature Over 55°C

Operate your battery in a cooler environment. If the problem persists please contact Lentequip.

 x2

Reverse Polarity Connection

You must use the correct charging cable for your battery.

 x3

Battery Voltage Too High

Your battery pack voltage is likely higher than 30V, which is the maximum the QC-4X can charge.

 x4

Battery Voltage Too Low

Try waking up your pack by connecting it to channel 1 and power cycling the charger. Repeat if necessary.

 x5

Smart Battery Communication Fault

Run the charger in a less electrically noisy environment. If the problem persists please contact Lentequip.

 x6

Charge Timeout

This is a safety measure to avoid damaging your battery. Please contact Lentequip for service info.