



**Weblink**  
190

Private Residence Japan. Tokyo, Japan. Architect: Art Web House, Inc. Tokyo, Japan. Photo: Hidehiko Nagaiishi

**Design**  
Shoichi Uchiyama

**Concept**  
Enigma 425 is able to provide the space with a soft and distinct illumination. The design of the four shades ensures that the shades are evenly lit and the light is equally evenly diffused. The bottom shade is designed as a disc that completes this glare free fixture.

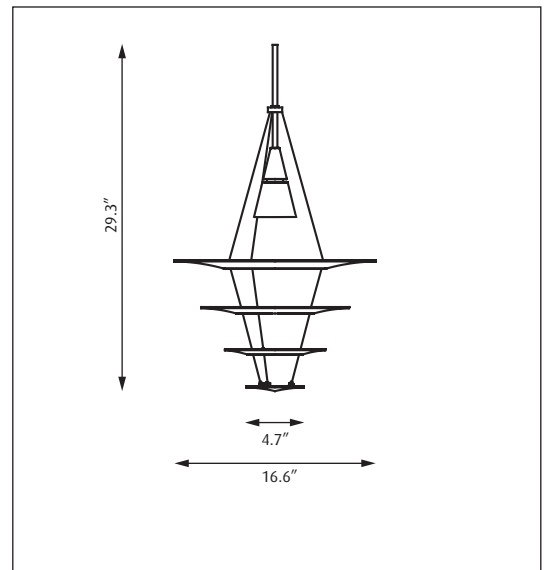
**Finish**  
Aluminum, brushed and lacquered. Matte coated acrylic.

**Material**  
Cone: Cast aluminum. Shades: Matte coated acrylic. Pendant stem: Extruded aluminum.

**Mounting**  
Suspension length: 12'. Canopy: White. Cord type: 3-conductor, 18 AWG white PVC power cord. Cord length: 12'.

**Weight**  
Max. 3 lbs.

**Label**  
cUL, Dry location. IBEW.



Product code	Light source	Voltage	Finish
ENIG425	1/50W/PAR16 GU10	120V	BR ALU

Info notes:  
I. The comparable EU version has the following classification: Ingress Protection Code: IP20.

