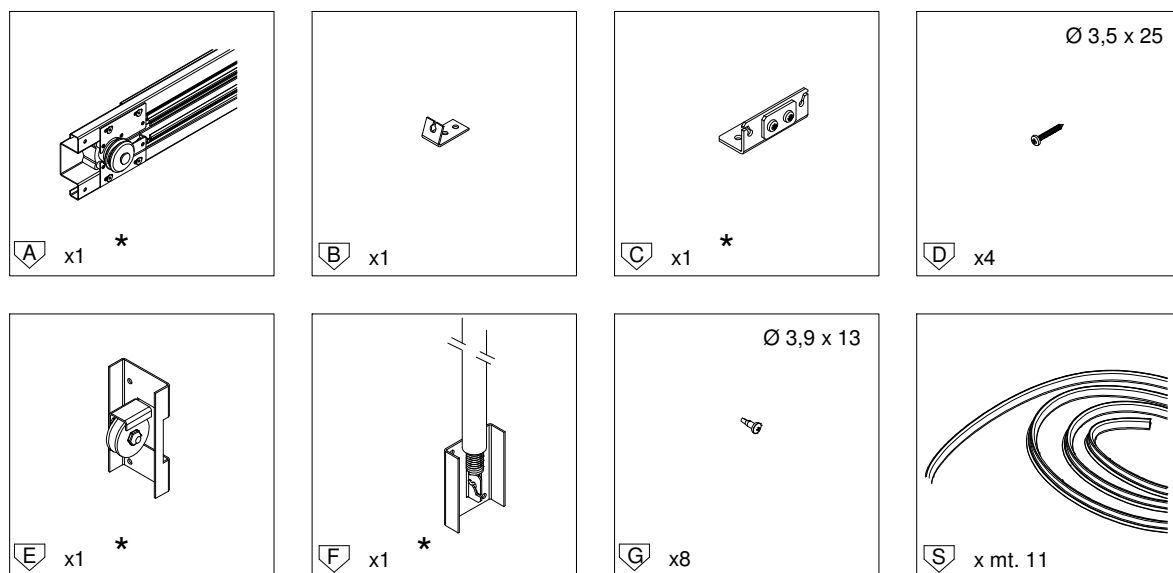


SETUP INSTRUCTION

Fire FD30
evokit

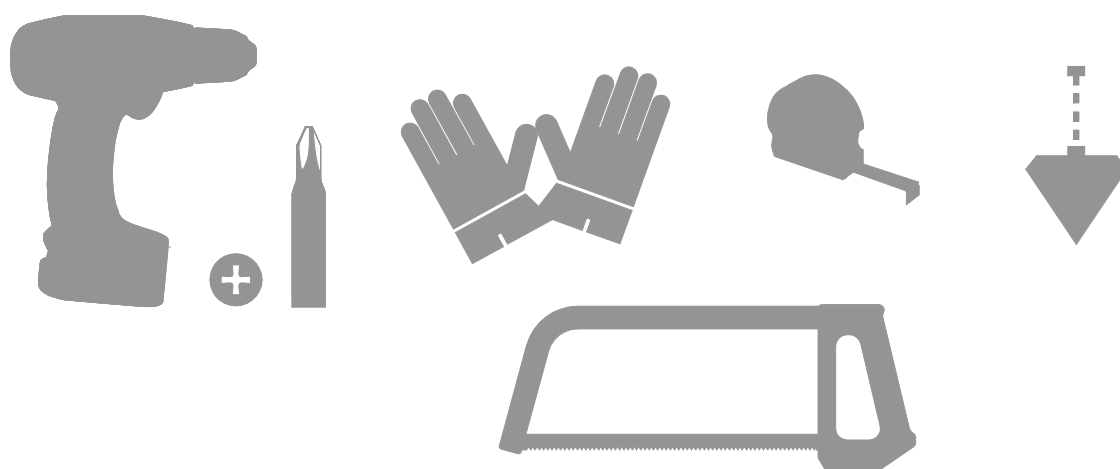
CONTENTS

Standard equipment

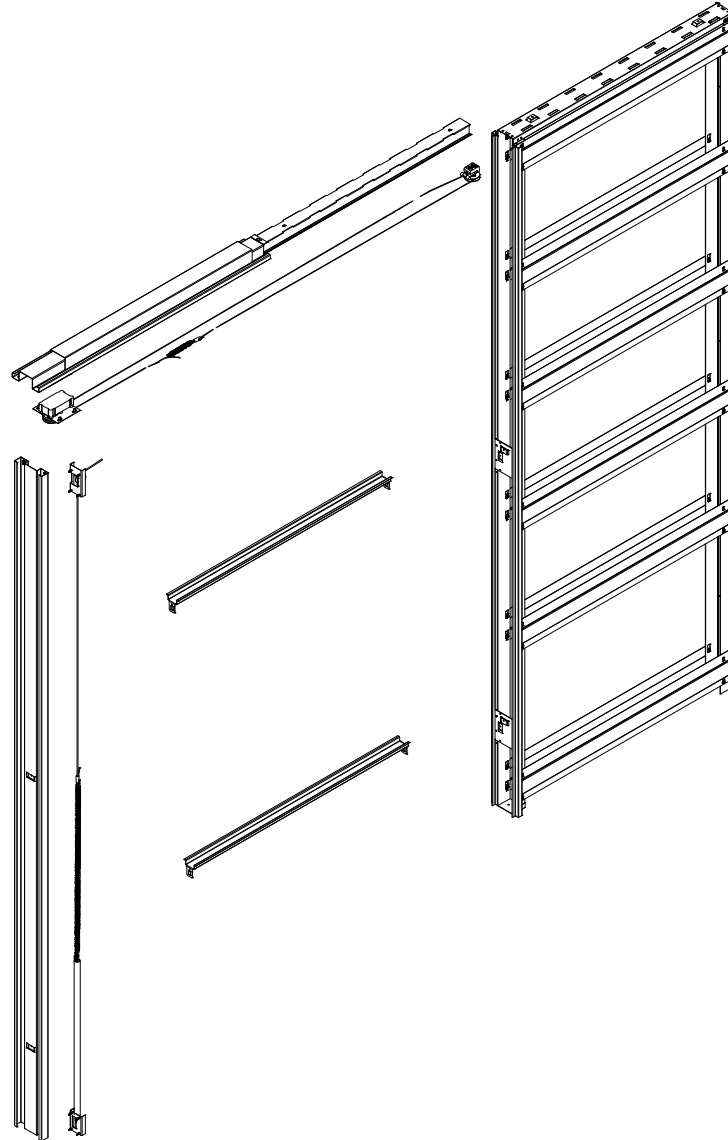


* Components supplied already pre-assembled from factory

ools



Overall view

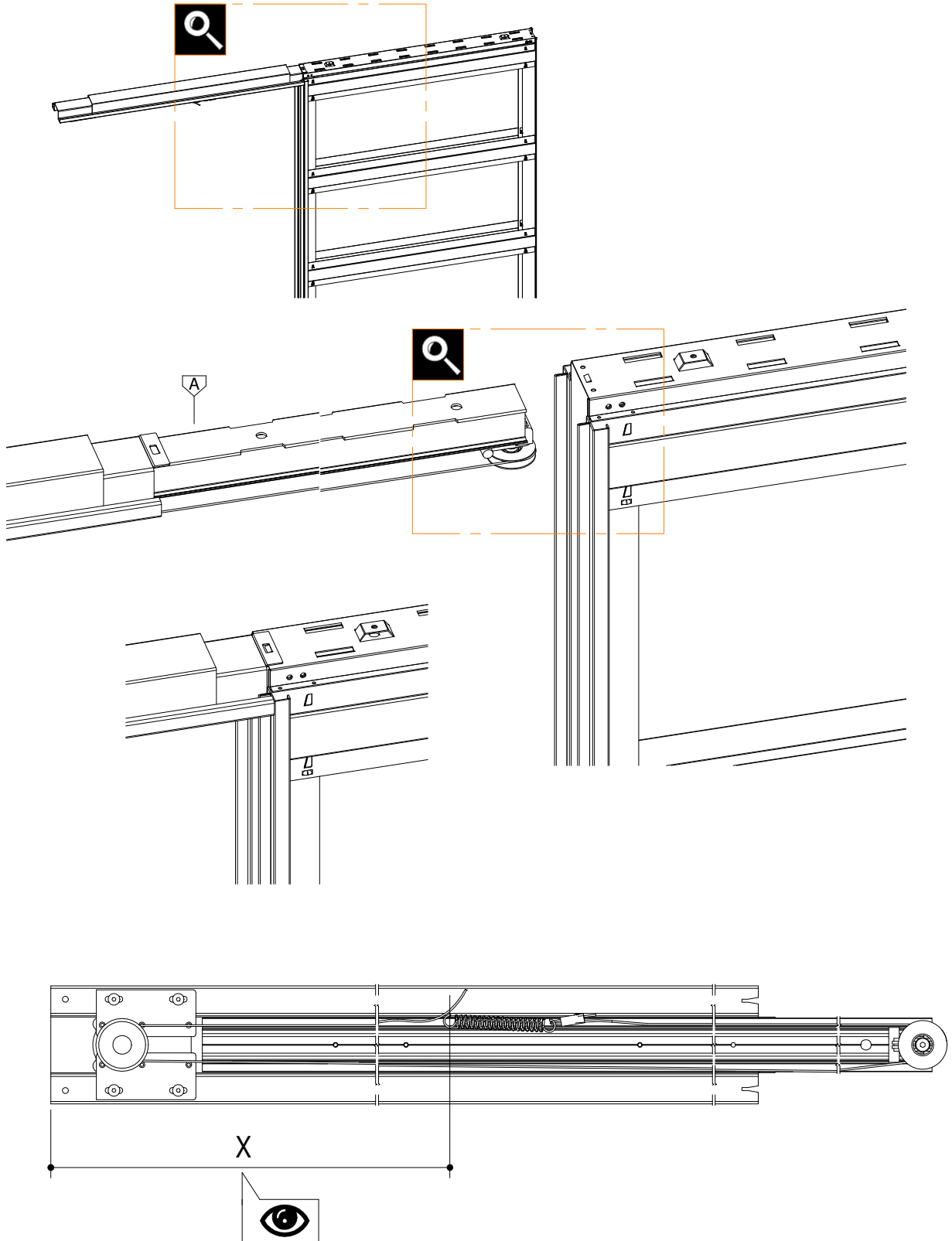


INDICE - INDEX

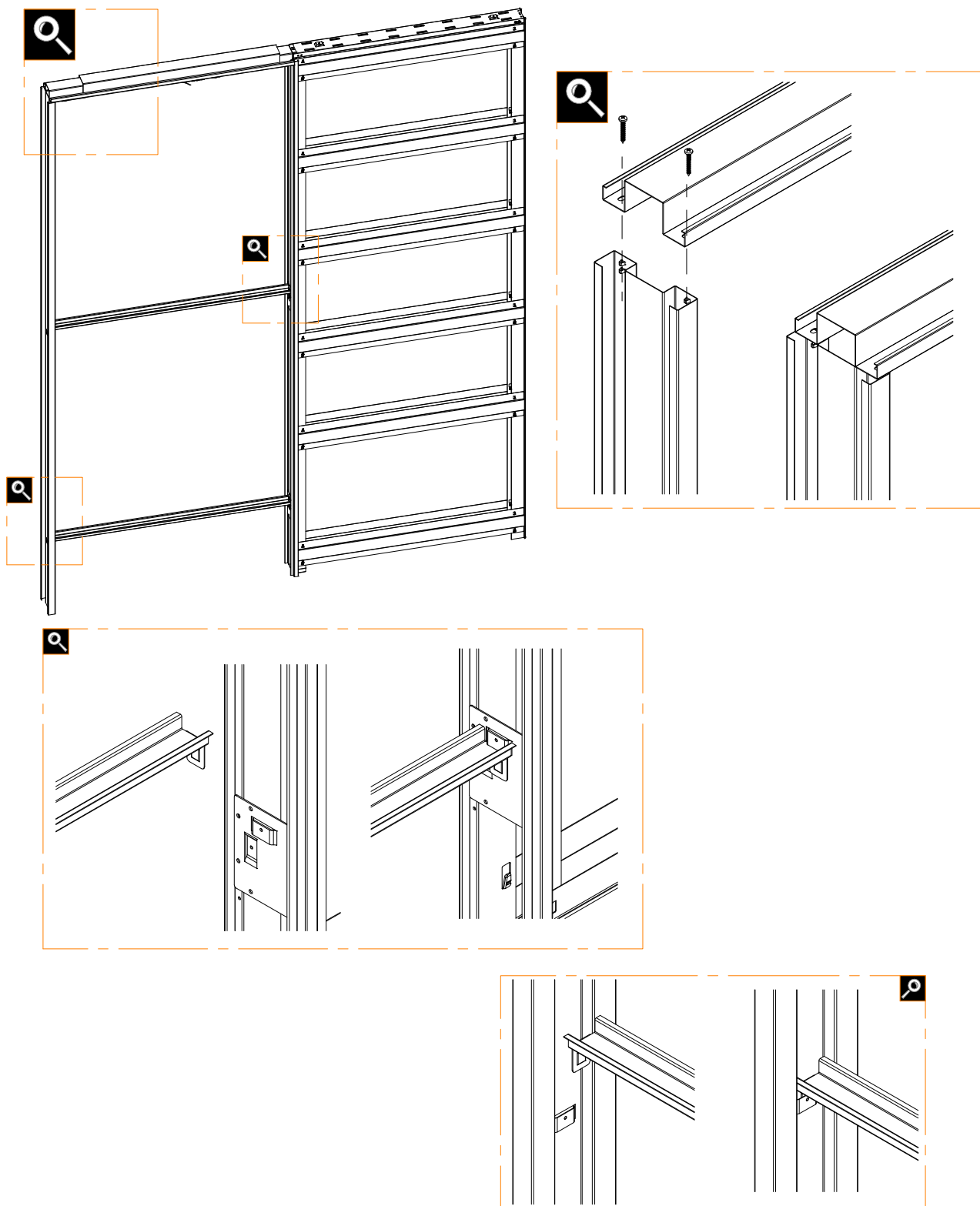
Setup pocket door system	2-7
Setup door	8-10
Setup door jambs	11-13

SETUP

1.1



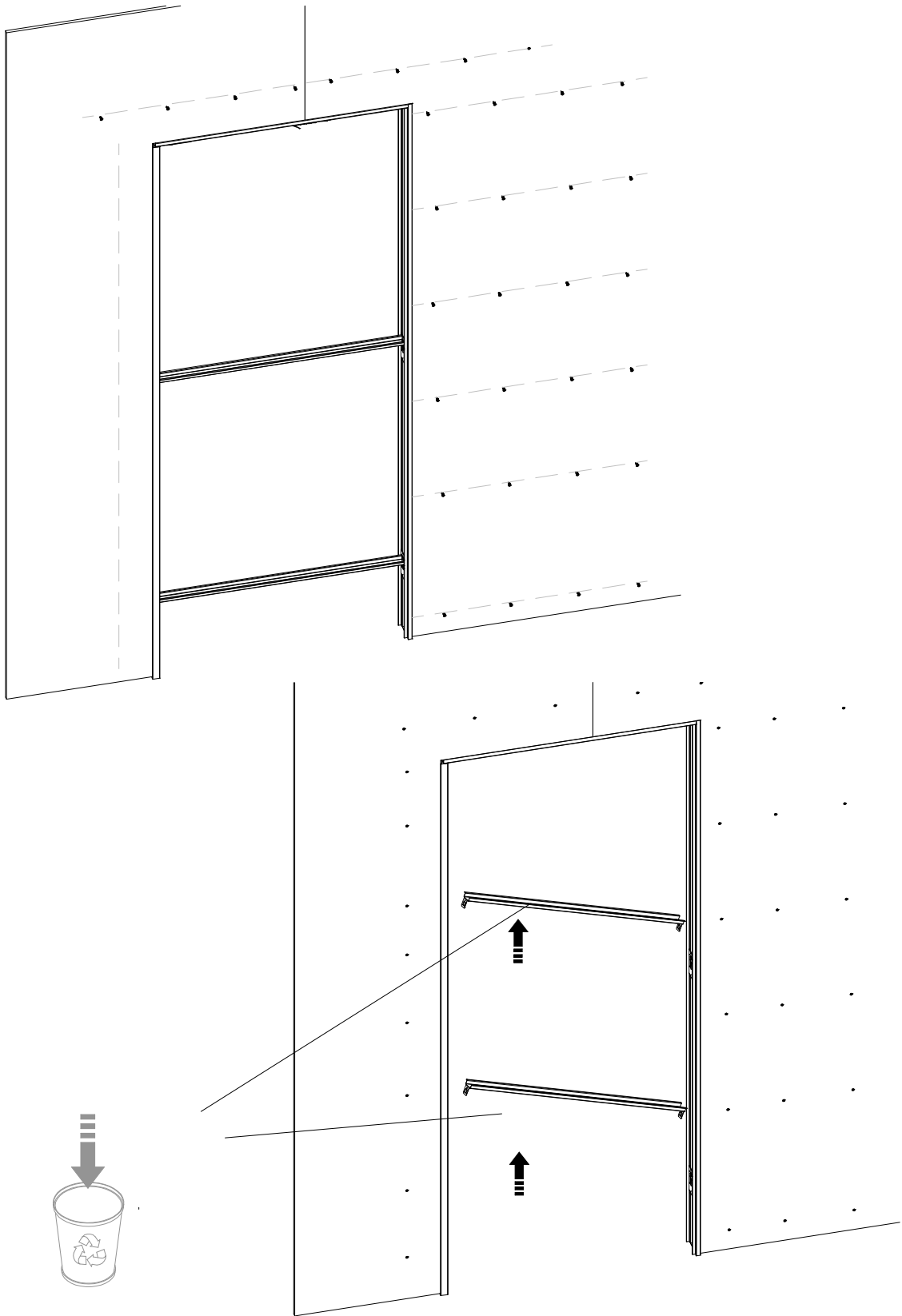
1.2



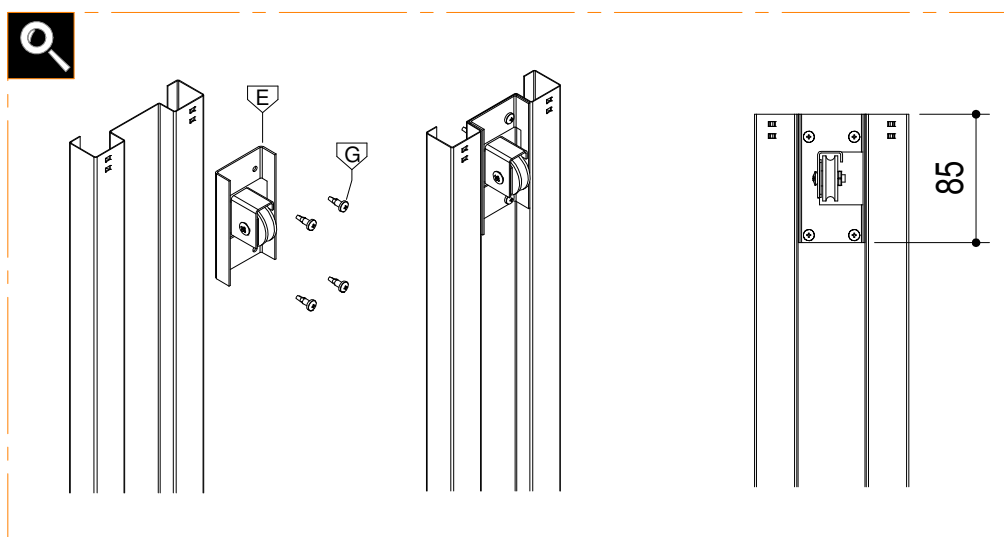
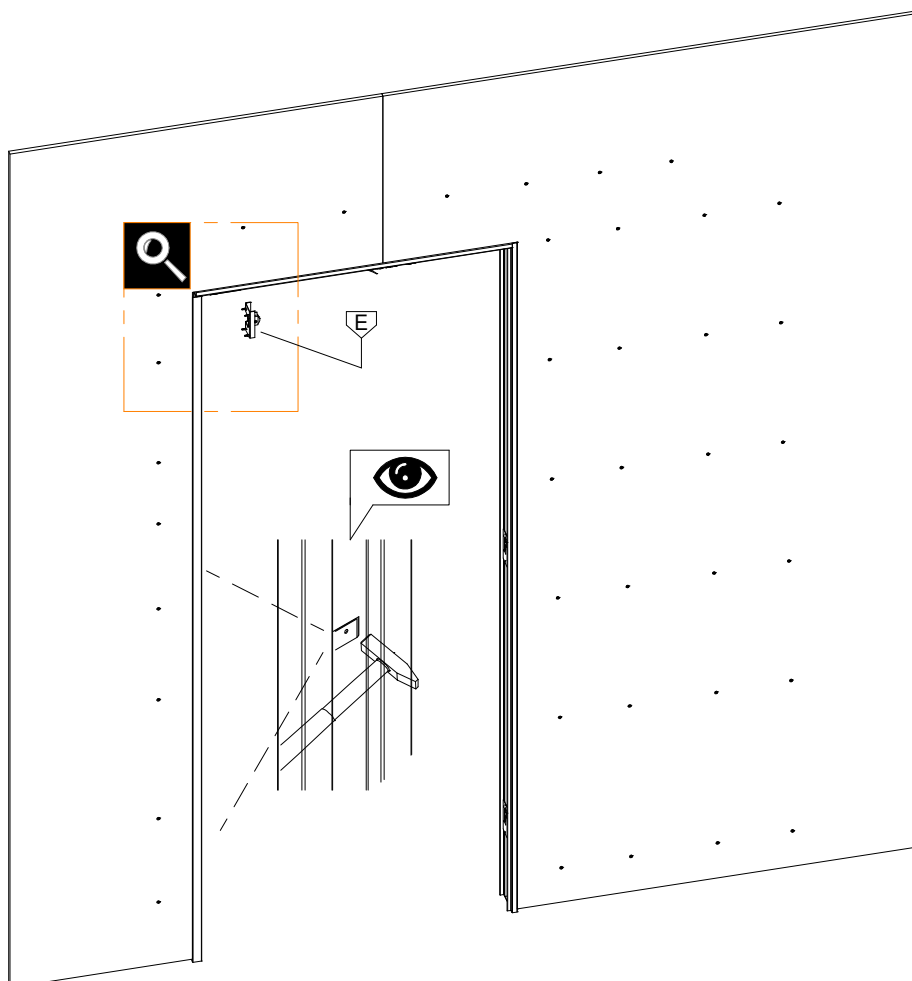
Subject to misprints, errors and technical modifications.
All dimensions are in mm

SETUP

1.3



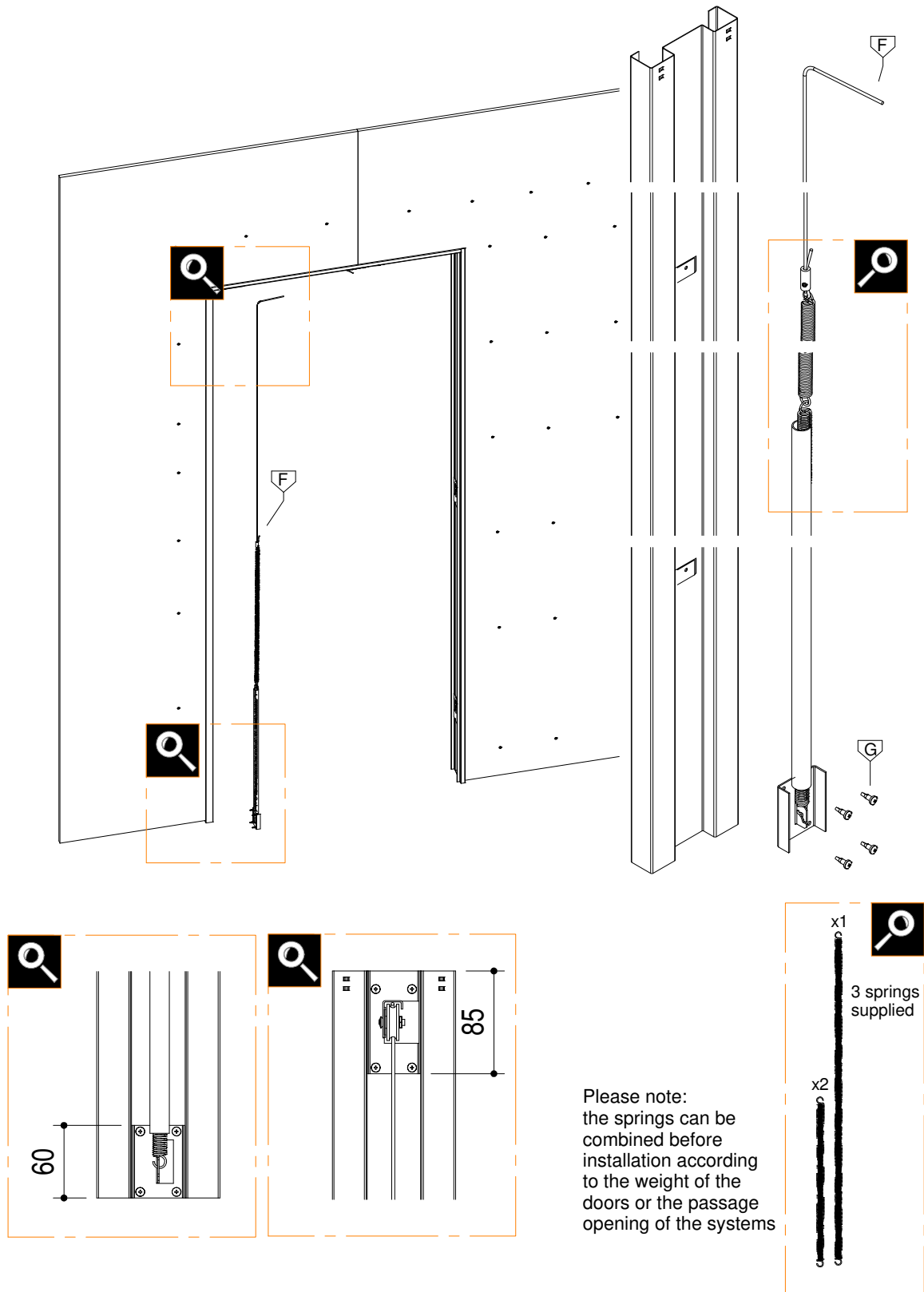
1.4



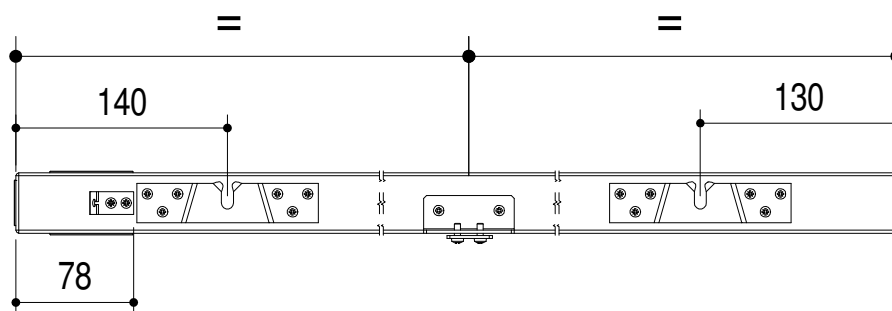
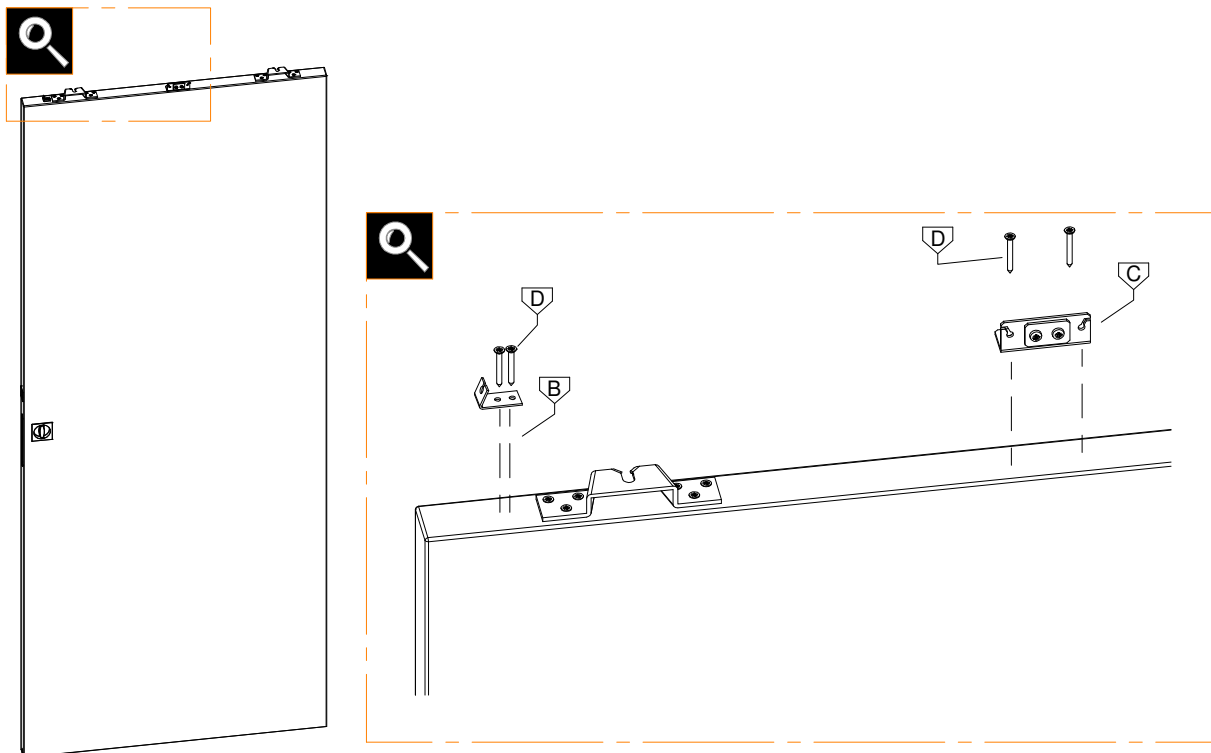
Subject to misprints, errors and technical modifications.
All dimensions are in mm

SETUP

1.5

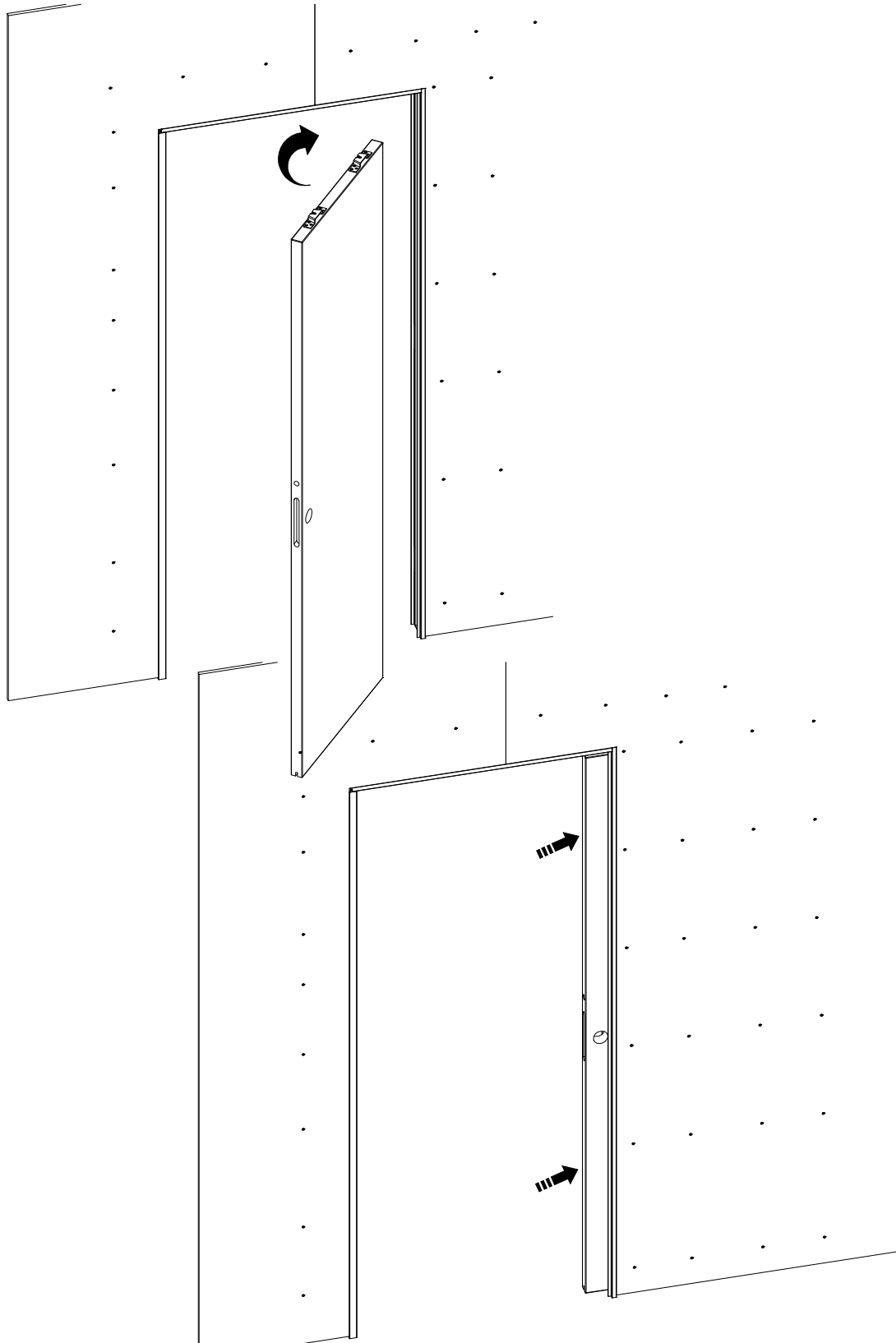


2.1

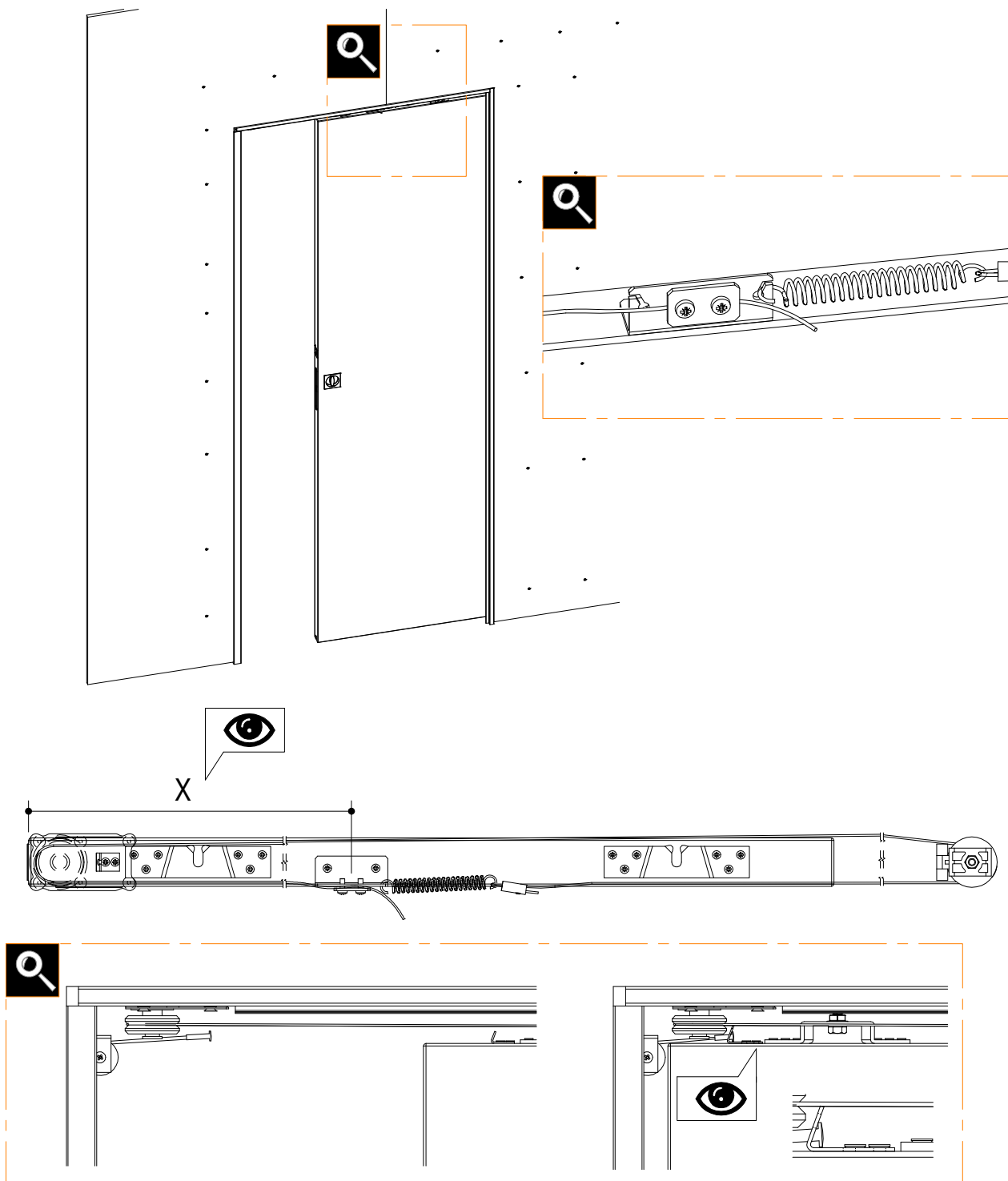


SETUP

2.2

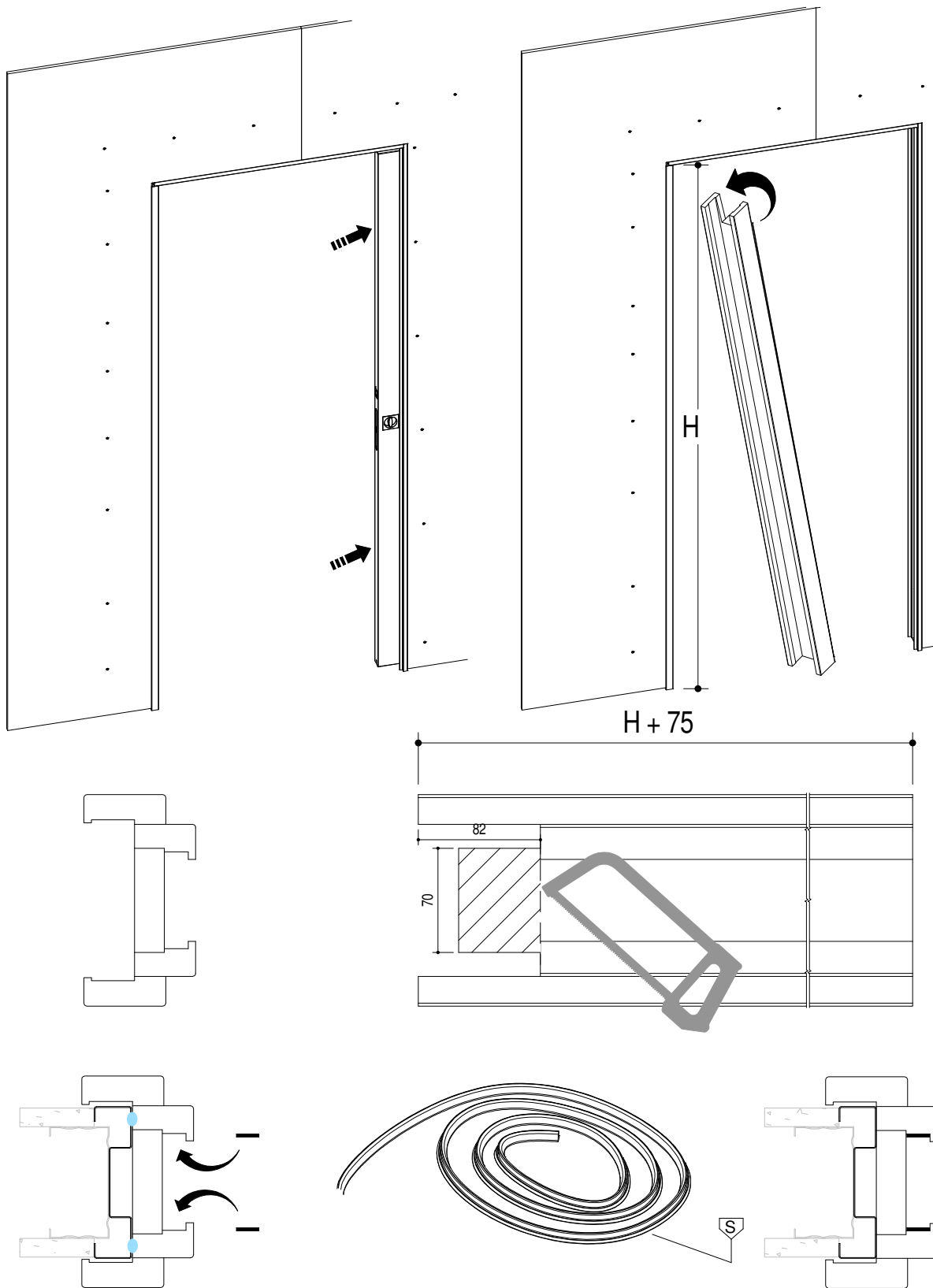


2.3

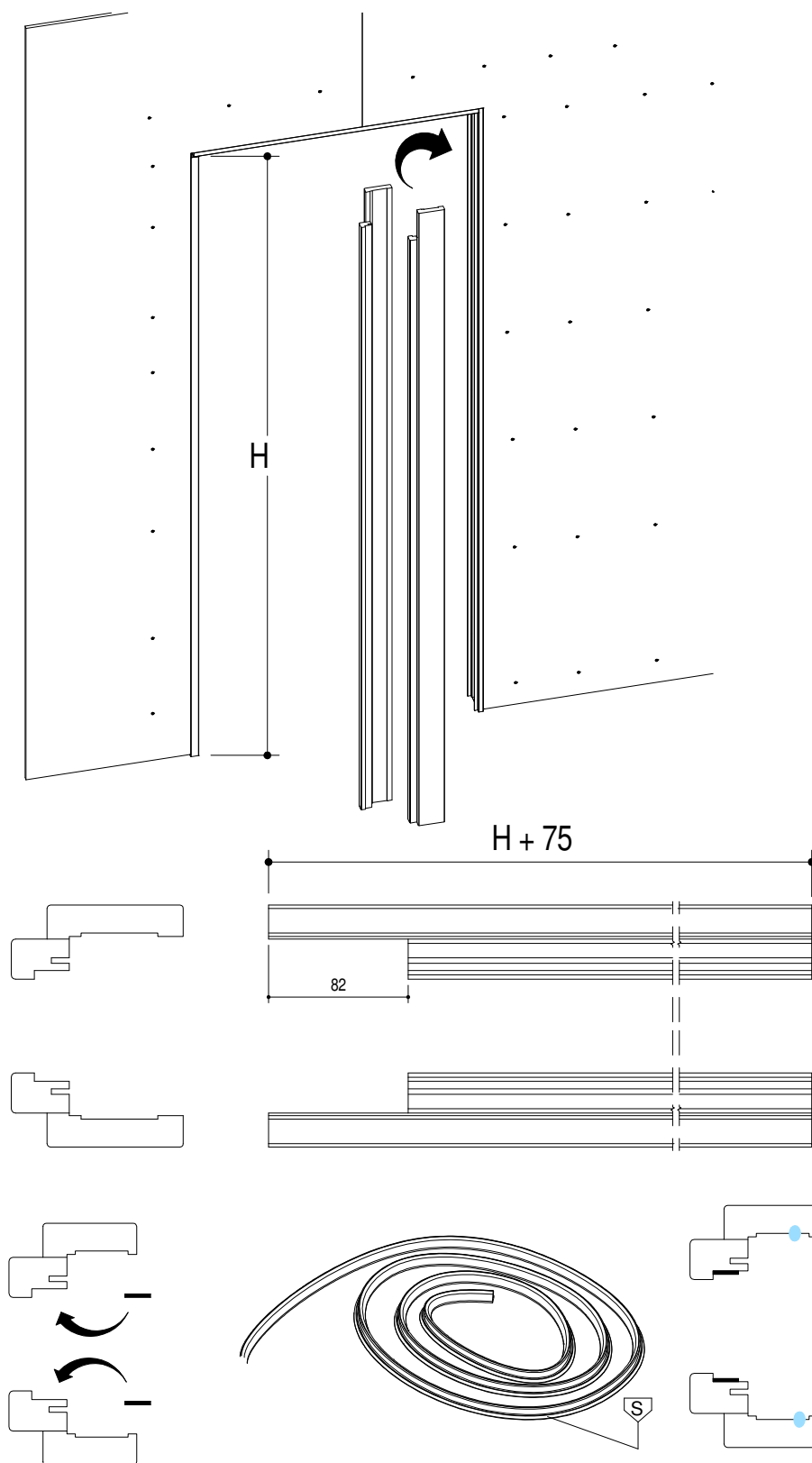


SETUP

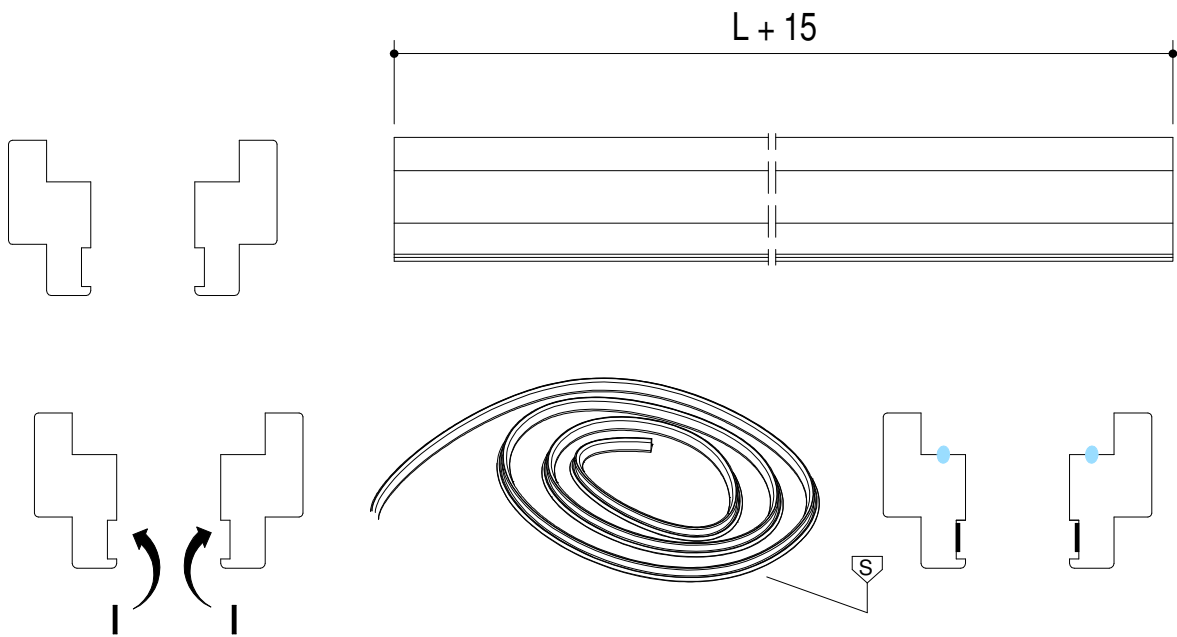
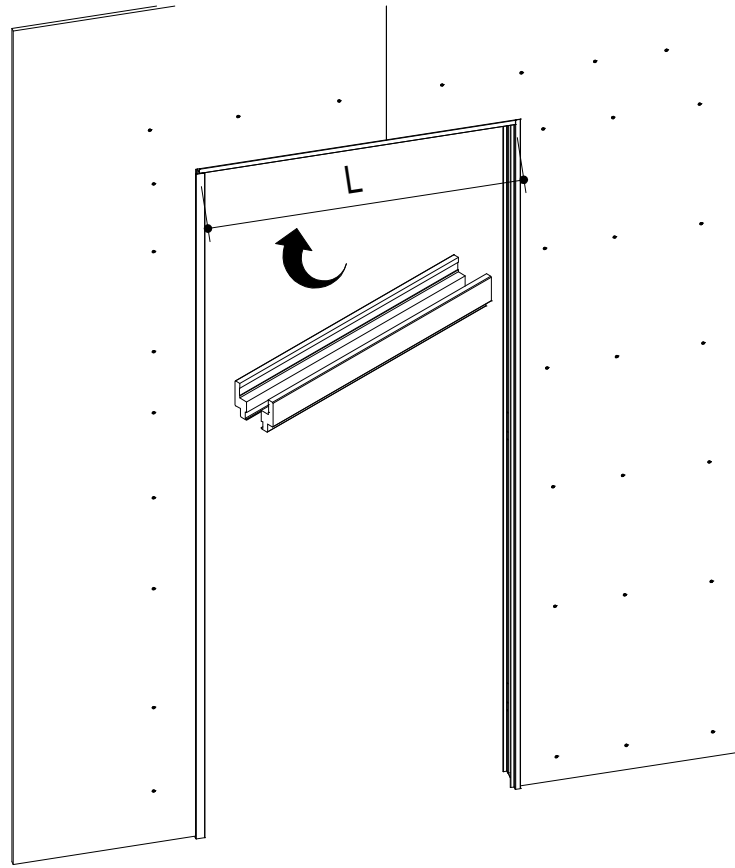
3.1



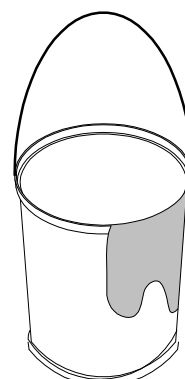
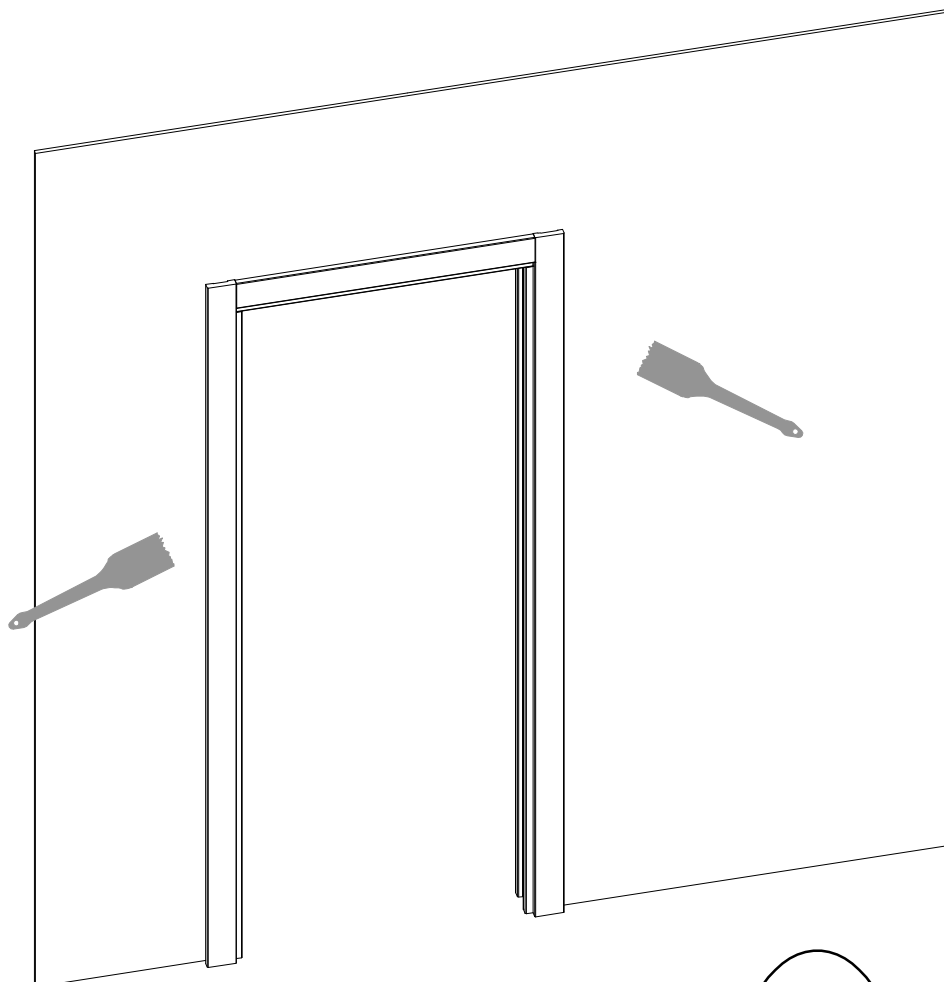
3.2



3.3



3.4



PAINT

Subject to misprints, errors and technical modifications.
All dimensions are in mm

I N S I D E W A L L S